

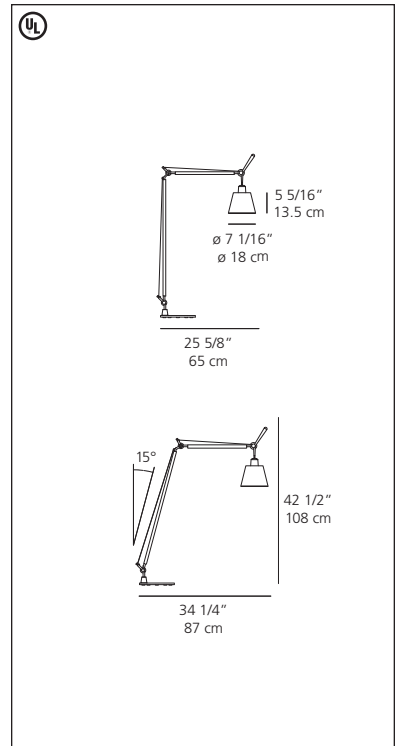
Tolomeo with shade reading floor

Michele De Lucchi, Giancarlo Fassina 2008

Floor standing luminaire for adjustable direct and diffused incandescent or fluorescent task lighting.

- fully adjustable articulated arm structure in extruded aluminum in high polished anodized finish
- joints and tension control knobs in polished die-cast aluminum
- tension cables in stainless steel
- 7" diameter shade available in parchment paper or in pale grey satin and polycarbonate fiber blend, remains vertical regardless of arm angle
- weighted steel base with stamped aluminum cover
- incorporated on/off switch on lampholder
- newly redesigned to incorporate compact fluorescent option utilizing GU24 base with integrated ballast and lamp holder

eco♥design



Tolomeo with shade reading floor

incandescent source

- 1 x 75W (E26/A19).....

or

fluorescent source

- 1 x 13W (GX24q-1/T4).....