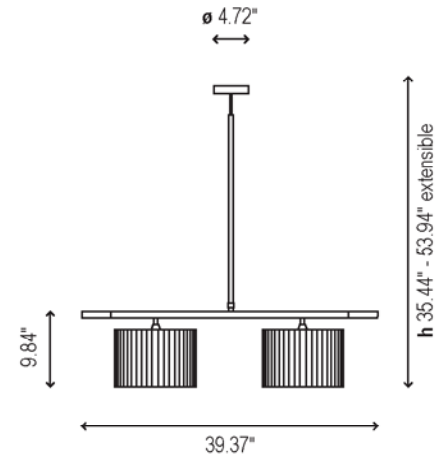


MANI 2 PENDANT

Polished metals, rich woods, fine leathers, and striking cottons provide the foundation for this smart line of lighting.

BOVER

Powered by
Global Lighting




attributes

canopy and body:
satin nickel with natural, cherry
or walnut stained wood

shade: raw cotton, cartulina or
pleated fabric
each shade:
bottom: \varnothing 5.91"
height: 5.51"
top: \varnothing 5.91"

lampping

 2 x 100W A-19

model numbers

4228512U-P-154 nickel, natural wood/pleated
4228512U-P-150 nickel, natural wood/cotton
4228512U-P-156 nickel, natural wood/cartulina
4228513U-P-154 nickel, cherry wood/pleated
4228513U-P-150 nickel, cherry wood/cotton
4228513U-P-156 nickel, cherry wood/cartulina
4228514U-P-154 nickel, walnut wood/pleated
4228514U-P-150 nickel, walnut wood/cotton
4228514U-P-156 nickel, walnut wood/cartulina

lampping

 2 x 18W twist lock GU24
self ballasted lamp

model numbers

4228512U-P-154-18 nickel, natural wood/pleated
4228512U-P-150-18 nickel, natural wood/cotton
4228512U-P-156-18 nickel, natural wood/cartulina
4228513U-P-154-18 nickel, cherry wood/pleated
4228513U-P-150-18 nickel, cherry wood/cotton
4228513U-P-156-18 nickel, cherry wood/cartulina
4228514U-P-154-18 nickel, walnut wood/pleated
4228514U-P-150-18 nickel, walnut wood/cotton
4228514U-P-156-18 nickel, walnut wood/cartulina

