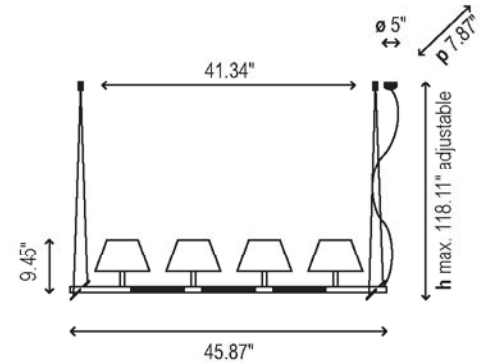


TAU 4 PENDANT

Showcasing a rich combination of materials, each unique lamp blends the gorgeous grain of Cebrano wood with anodized metals and textured linen.

BOVER

Powered by
Global Lighting



attributes


base: satin nickel

cord: clear

shade: raw cotton
each shade:
bottom: \square 7.87"
height: 5.12"
top: \square 5.12"

supports: satin nickel or satin nickel with dark leather or caramel leather

lamping

 4 x 60W A-15

model numbers

4423905U-P-471 satin nickel/cotton
4423905U-P-470 satin nickel/linen
4423960U-P-471 nickel dark leather/cotton
4423960U-P-470 nickel dark leather/linen
4423961U-P-471 nickel caramel leather/cotton
4423961U-P-470 nickel caramel leather/linen

(Info updated from catalog.)

lamping

 4 x 13W twist lock GU24 self ballasted lamp

model numbers

4423905U-P-471-13 satin nickel/cotton
4423905U-P-470-13 satin nickel/linen
4423960U-P-471-13 nickel dark leather/cotton
4423960U-P-470-13 nickel dark leather/linen
4423961U-P-471-13 nickel caramel leather/cotton
4423961U-P-470-13 nickel caramel leather/linen

(Info updated from catalog.)

