

# Passion

FontanaArte spa reserves the right to make changes on this document and on the products here described without any prior notice.

Copyright © 2008 FontanaArte spa. All rights reserved.

It is forbidden to modify the present document, even partially, without a prior written authorisation by FontanaArte spa.

COMPANY:

PROJECT:

DATE:

PRODUCT NAME: Passion

CODE NUMBER: 3610/0..

COLLECTION: FontanaArte

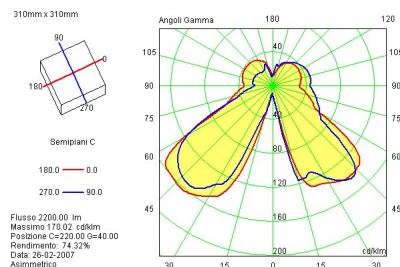
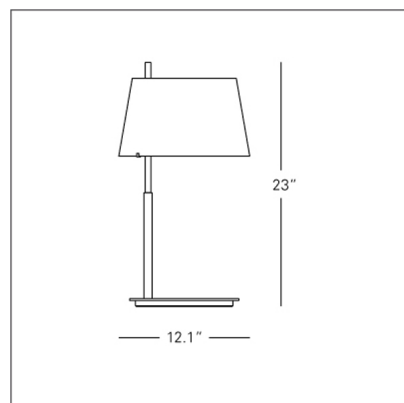
TYPE: Table

DESIGNER: Studio Beretta

PRODUCTION YEAR: 2004

Table lamp with dimmer. Chrome-plated (CR) or brushed nickel-plated (NC) brass frame. Diffuser of white satin blown glass with metal upper reflector.

# FontanaArte



**Light source:** 1x150W A19 Medium E26/27 (IN)