

# lzf

POWERED BY  
**GlobalLighting**

[www.globallighting.com](http://www.globallighting.com)



**Air**  
Ray Power

GLOBAL LIGHTING 545 Franklin, Avenue Mount Vernon, NY 10550 Ph +1 914 591 4095 [info@globallighting.com](mailto:info@globallighting.com) [www.globallighting.com](http://www.globallighting.com)

**AIR Ray Power**

TABLE	INFO	Lamping	Ship Wgt + Dims	Size
-------	------	---------	-----------------	------

**AIR MP CHW**

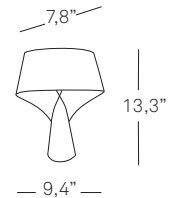


**Shade**  
Natural wood  
CHW colors:  
  
 20 21 22 24  
 25 26 27 29  
 see chart



1 x 13W  
CFL spiral  
  
GU24 base

4 lb  
11x17x12"



**AIR MG CHW**



**TABLE MODELS**  
**Base**  
chrome

**Cord length**  
6' clear

**WALL MODEL**  
Hidden back plate  
chrome

**Family**  
table and wall

**Awards**

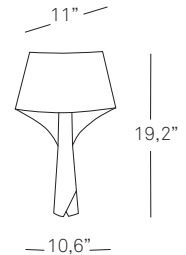


reddot design award  
2010



1 x 13W  
CFL spiral  
  
GU24 base

5 lb  
16x16x24"



**WALL  
AIR A CHW**

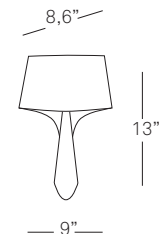


Chicago 2009



1 x 13W  
CFL spiral  
  
GU24 base

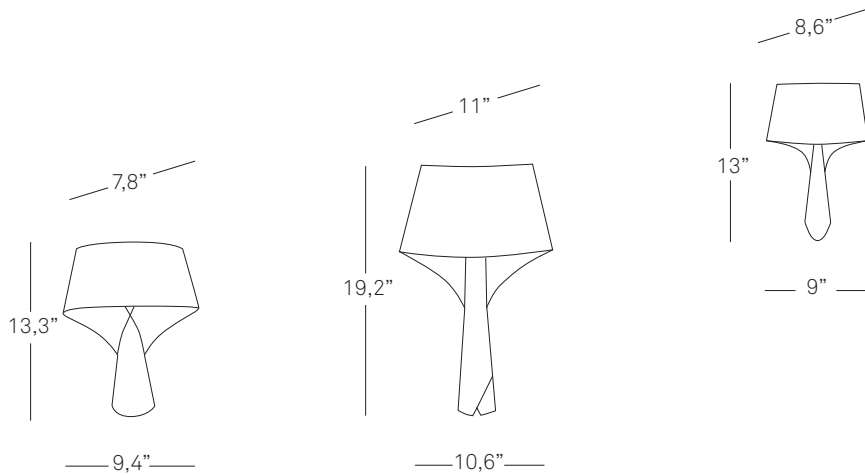
3 lb  
11x17x12"



(\*) alternate lamping chart  
located on rear inside cover

**AIR** Ray Power

FAMILY



Chicago 2009



reddot design award  
2010

SHADE FINISHES

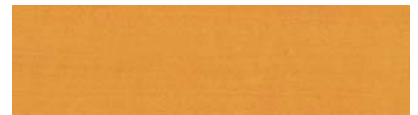
REF. CHW

Natural timber veneer



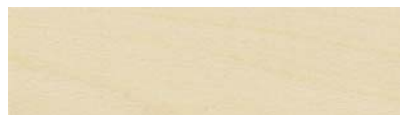
**CHW-20**  
American white wood

**CHW-25**  
Orange



**CHW-21**  
Cherry

**CHW-26**  
Red



**CHW-22**  
Beech

**CHW-27**  
Green



**CHW-24**  
Yellow

**CHW-29**  
Grey





Ray Power

This design is born from Ray Power's continued investigation of the possibilities of Polywood® along with his specialty based on the study of making three dimensional shapes with planes.

The result is a shade and a base all in one that transmits visual stability and esthetic. Lzf presents this lamp which reflects itself in and is identified with, classic lamp formats.



