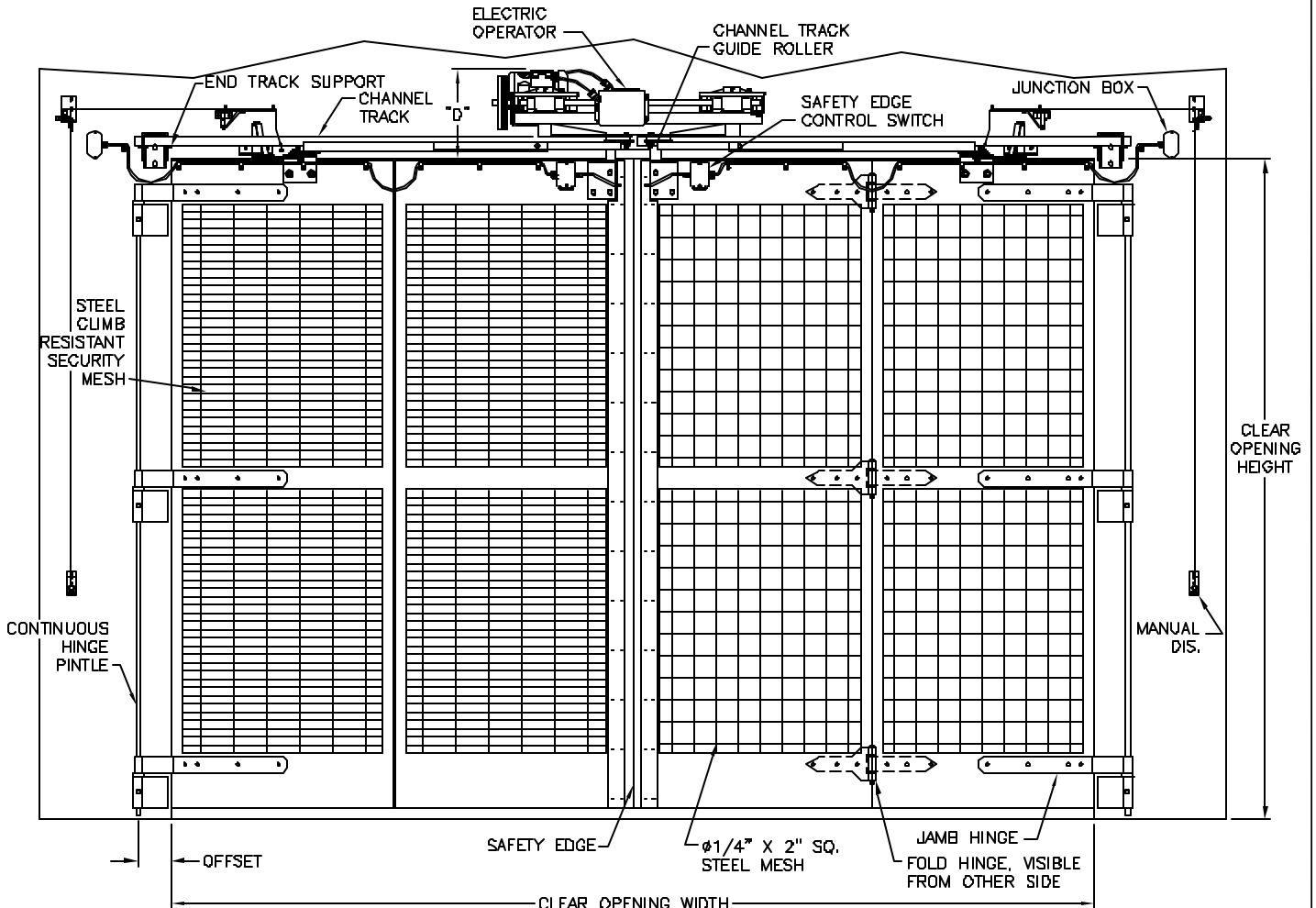
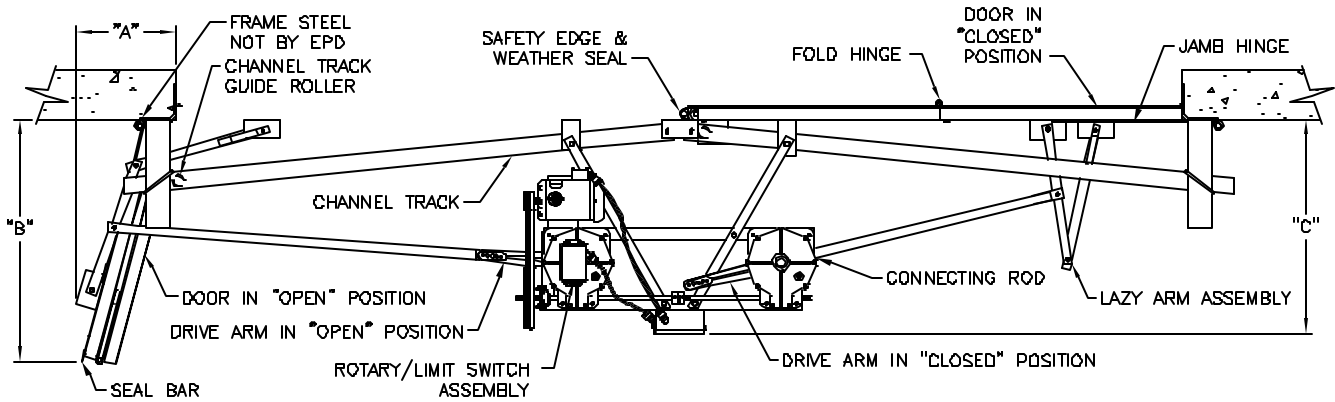


ELECTRIC FOUR-FOLD MODEL 47 SECURITY MESH DOORS



DOOR SIZE WIDTH X HEIGHT	DOOR PANEL THICKNESS	CLEARANCES				OFFSET	MAXIMUM TIME TO OPEN	MOTOR HORSEPOWER	GUIDE TRACK TYPE	OPERATOR SIZE
		A	B	C	D					
8'-0" x 8'-0" TO	2"	15"	2'-9" TO	32"	17"	6"	5 SEC.	1/2	CHANNEL	ED-00
10'-0" x 12'-0"			3'-3"							
10'-0" x 12'-0" TO	2"	17"	3'-3" TO	36"	17"	6"	7 SEC.	3/4	CHANNEL	ED-1 & 2
14'-0" x 11'-0"			4'-3"							
14'-0" x 11'-0" TO	3"	18"	4'-3" TO	42"	17"	8"	9 SEC.	1	S-BEAM	ED-3 & 4
18'-0" x 18'-0"			5'-5"							

* FOR SMALLER OR LARGER DOOR SIZES CONSULT FACTORY
NOTE: DOOR PANEL THICKNESS BASED ON 20 PSF WIND LOAD WITH L/120 ALLOWABLE DEFLECTION

ELECTRIC POWER DOOR 800-346-5760



Engineering in motion