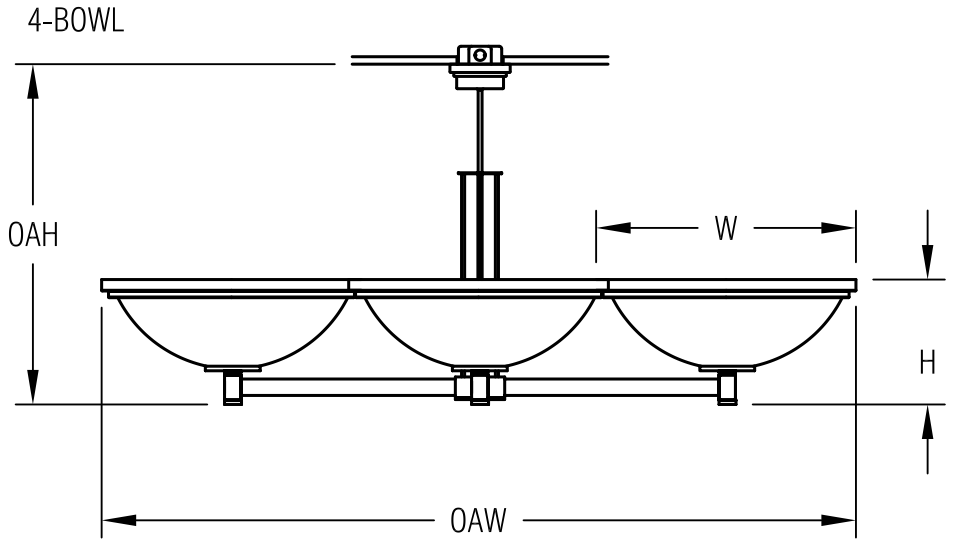


Job Name	Type
Model No.	
Lamp	

# CLASSIC, STEPPED TRIM

INTERIOR PENDANT

**RIP1666**



**FEATURES:**

- Trim ring is spun from .063" thick base material (brass or aluminum) or 18 gauge steel (plated or painted).
- 3/8 ip (.688" diameter) stem with a 1/2 ip (.875" dia.) sleeve.
- Formed acrylic bowl with a minimum thickness of .118". Opal finish is standard.
- Hinged optical tray for easy replacement of lamps and ballasts without removal of the bowl.
- Integral ballasts are HPF electronic with low harmonic distortion (<20%).
- H.I.D. ballasts are magnetic HX-HPF for 150 watt and below. Magnetic CWA-HPF ballasts are used for over 150 watts. H.I.D. ballasts are remote mounted.
- Ballast thermally protected
- Fluorescent ballasts have a class "A" and H.I.D. a class "B" sound rating.
- Inner steel support bracket attaches to 4" octagonal box.
- 45° swivel canopy is standard and meets all earthquake related codes.
- UL listed (US and Canada) for damp location. (not recommended for exterior use)
- Chasis is formed from 18 gauge cold-rolled steel

**FINISH**

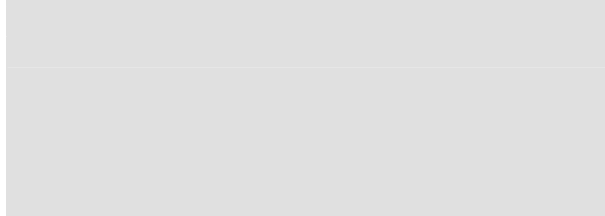
**DIMENSIONS**

	W	H	OAH	OAW
RIP1666	29"	14"	50"	85"
	(737 MM)	(356 MM)	(1270 MM)	(2159 MM)

**WEIGHT**

Consult factory.

**PRODUCT MODIFICATIONS**



Model No.

Select boxes to build model number.

Lamping	Photometric Report	Finish
1M150PSC/1F40	E402-17	BAL = Brushed aluminum
1M250/1F40	E402-17	CPBR = Chrome-plated polished brass
1M250PS/1F40	E402-17	PBR = Polished solid brass
1M350PS/1F40	E402-17	ABR = Antique solid brass
1M400/1F40	E402-17	BBR = Brushed solid brass
1M400PS/1F40	E402-17	ABST = Antique brass over steel
3N150		BBST = Brushed brass over steel
3T150		CPST = Polished chrome over steel
6F40/1F40	E433-87	PBST = Polished brass over steel
6F40DM/1F40	E433-87	PT = Painted
6F55/1F40	E433-87	
1M100PSC/1F40	E402-17	

### Options

EMI = Emergency ballast integral  
 EMR = Emergency ballast remote  
 SS = Separate switching  
 TL = Top lens  
 OAH = Add \$10 for each incremental foot or fraction thereof  
 F = Fusing  
 SBA = Sandblasted acrylic  
 HP01 = Silver hand painted acrylic  
 HP02 = Beige hand painted acrylic  
 HP03 = Amber hand painted acrylic

### Modification

MOD = Modification