

Paramount™



Humanscale®

The World's Simplest, Most Flexible Multi-Monitor Display

Specifically designed for the dynamic trading desk environment where down time costs big money, Paramount is the most functional, user-friendly multiple-monitor mounting system ever created.

It installs in less than ten minutes and can support anywhere from two to eight monitors on one or two rows. More importantly, it can be reconfigured in a snap. Even the longest required change—from two monitors to eight, or vice versa—takes less than five minutes. Plus, no additional parts or tools are required. Everything needed to support such a dramatic reconfiguration is integrated into the basic unit, including a second-row crossbar.

Save time. Save money. Save resources. Paramount is the first multi-monitor display that makes it all possible.

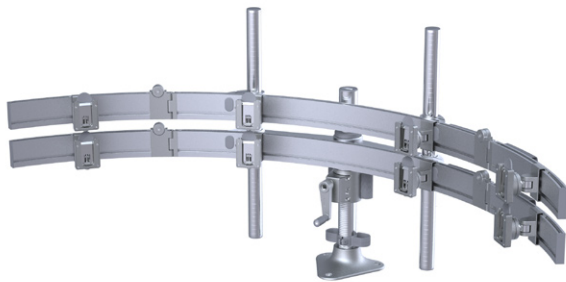


The Paramount Advantage



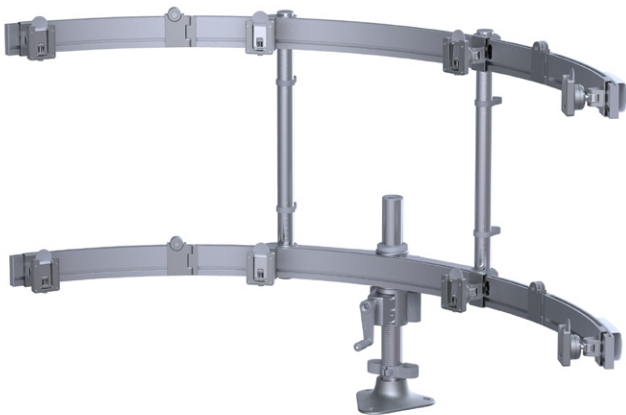
Integrated Upper Row

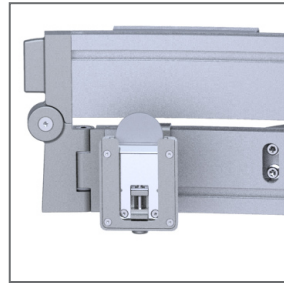
The inclusion of the second-row crossbar into the basic unit separates Paramount from all other multi-monitor displays. When required, the upper row simply raises up to support a second row of monitors. If no longer needed, it moves quickly and easily back to its original position behind the first row of monitors—without extra tools or parts—making reconfiguration a breeze.



Ultimate Flexibility

Paramount can support virtually any configuration of two to eight monitors on any desk surface or slatwall. One crossbar can hold up to four 24" monitors or three 30" monitors arranged in portrait or landscape orientations, and hinged wings can accommodate a flat, curved, or U-shaped display. Plus, Paramount is available with a variety of mounting options for almost any application.





Features

- Supports virtually any configuration of two to eight monitors
- Integrated second row requires no tools for setting up or stowing away
- Independent crossbar height adjustment accommodates any monitor height in landscape or portrait view
- Crossbar wings unfold to accommodate three to four monitors, and fold away to hide behind one- or two-monitor configurations
- Humanscale's Quick Release ball joint facilitates fast and easy monitor installation and removal
- Monitors glide on sliders to provide virtually effortless lateral adjustment
- Individual monitor fine-tune adjustment allows for perfect monitor alignment
- Integrated cable management system hides cable clutter for a cleaner aesthetic

Specifications

- Accommodates monitors up to 35 pounds each or a 200-pound total load
- Height adjustment range: 10"
- Mount options: Desk Mount, Beam Mount, Slatwall Mount
- Finish options: Black, Silver
- 48% recycled and 99% recyclable content
- May contribute to a number of valuable LEED-CI, -NC and -EB credits
- 15-year 24/7 warranty



Creating a more comfortable place to work

www.humanscale.com
800.400.0625