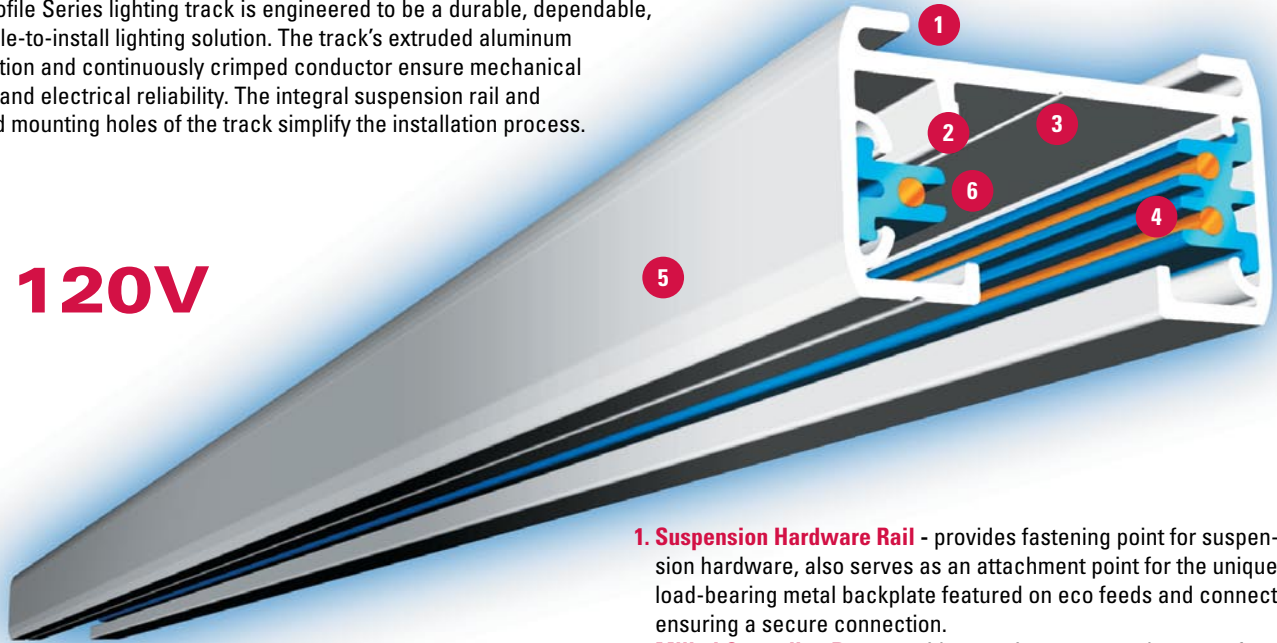


# 20 AMP TRACK - 120V - ONE OR TWO CIRCUIT

- High Quality
- Low Profile
- Easy, Flexible Installation

RSA's Profile Series lighting track is engineered to be a durable, dependable, and simple-to-install lighting solution. The track's extruded aluminum construction and continuously crimped conductor ensure mechanical strength and electrical reliability. The integral suspension rail and predrilled mounting holes of the track simplify the installation process.

## 120V

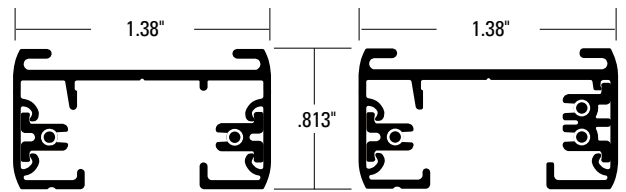


- 1. Suspension Hardware Rail** - provides fastening point for suspension hardware, also serves as an attachment point for the unique, load-bearing metal backplate featured on eco feeds and connectors, ensuring a secure connection.
- 2. Milled Grounding Bar** - provides continuous ground contact for fixtures anywhere along the track run.
- 3. Alignment Groove** - provides easy centering for screws.
- 4. Bus Bar Installation** - conductor and insulation assembly is crimped continuously into place along the track profile, and is guaranteed not to slip for the life of the product, regardless of whether or not the track has been field cut.
- 5. Extruded Channel** - constructed of strong, extruded aluminum. Impervious to corrosion.
- 6. Predrilled Mounting Holes** - for installation convenience. Tracks ship from the factory with predrilled mounting holes spaced per UL and NEC guidelines

### PATENTED

Feed Connectors with patented backplate suspension contact. A unique backplate feature provides additional strength by mechanically integrating track and connectors into one continuous system.

1. Heavy-gauge steel backplate provides independent mechanical support.
2. Copper conductor never bears mechanical load. Held in place by continuous crimp insulator.
3. Durable GE Lexan® components. Soft finish reduces fingerprints.



One Circuit Track (GES2)

Two Circuit Track (GET3)

### TRACK SECTIONS

Item	Track Length	Finish
<input type="checkbox"/> GES2 20 Amp Track Section One Circuit - 120V	<input type="checkbox"/> 04 4' Length (44" Actual Length)	<input type="checkbox"/> 3 White
<input type="checkbox"/> GET3 20 Amp Track Section Two Circuit - 120V	<input type="checkbox"/> 08 8' Length (92" Actual Length)	<input type="checkbox"/> 2 Black
	<input type="checkbox"/> 12 12' Length (140" Actual Length)	<input type="checkbox"/> 1 Natural Aluminum



Ordering Example: GES2 04 3

Description: 20 Amp Track Section One Circuit 120V - 4 foot length - White Finish

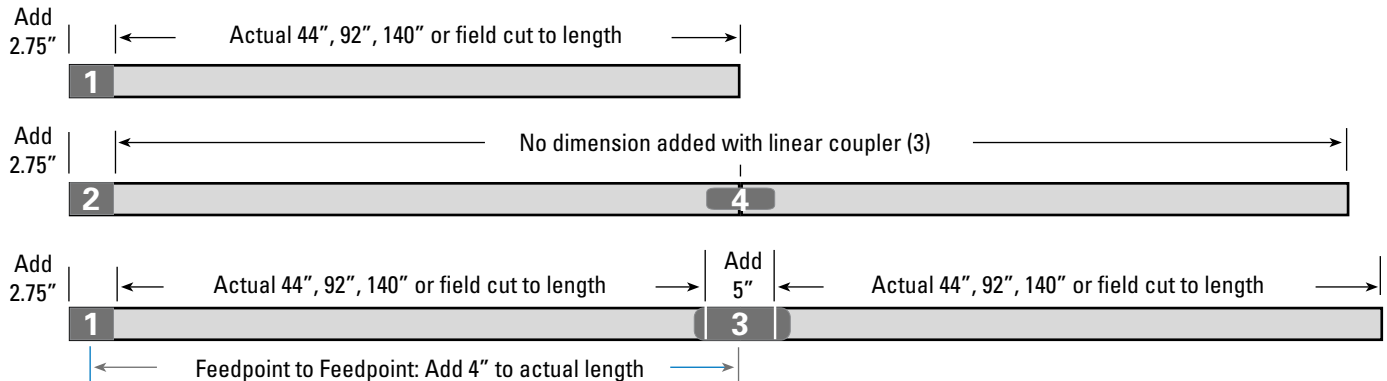
# 20 AMP TRACK - 120V - ONE OR TWO CIRCUIT

## POWER FEEDS & CONNECTORS



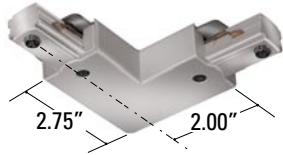
Item	Finish
<input type="checkbox"/> <b>GES11</b> Live End Feed for One Circuit Track <input type="checkbox"/> <b>GET11</b> Live End Feed for Two Circuit Track <b>1</b>	<input type="checkbox"/> <b>3</b> White <input type="checkbox"/> <b>2</b> Black
<input type="checkbox"/> <b>GES13</b> Conduit End Feed for One Circuit Track <input type="checkbox"/> <b>GET13</b> Conduit End Feed for Two Circuit Track <b>2</b>	<input type="checkbox"/> <b>3</b> White <input type="checkbox"/> <b>2</b> Black
<input type="checkbox"/> <b>GES14</b> Live Center Feed for One Circuit Track <input type="checkbox"/> <b>GET14</b> Live Center Feed for Two Circuit Track <b>3</b>	<input type="checkbox"/> <b>3</b> White <input type="checkbox"/> <b>2</b> Black
<input type="checkbox"/> <b>GES21</b> Linear Coupler for One Circuit Track <input type="checkbox"/> <b>GET21</b> Linear Coupler for Two Circuit Track <b>4</b>	<input type="checkbox"/> <b>3</b> White <input type="checkbox"/> <b>2</b> Black
<input type="checkbox"/> <b>GES66</b> Field Switchable Track Adapter - Max. 20lbs / 600W Supplied with 1/8 27 IPS threaded nipple for fixture connection. Grounded nipple (GEA66GW) available upon request.	<input type="checkbox"/> <b>3</b> White <input type="checkbox"/> <b>2</b> Black
<input type="checkbox"/> <b>GEA21</b> Track Reinforcement Plate For use with Linear Coupler to strengthen mechanical connection between track sections.	
<input type="checkbox"/> <b>GEA6</b> Threaded Rod Mounting Clip	
<input type="checkbox"/> <b>GEA7</b> T-Bar Mounting Clip	

## TRACK CONFIGURATION

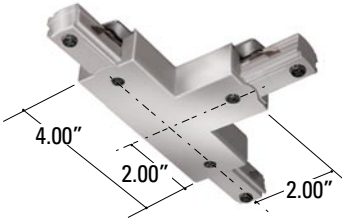


# 20 AMP TRACK - 120V - ONE OR TWO CIRCUIT

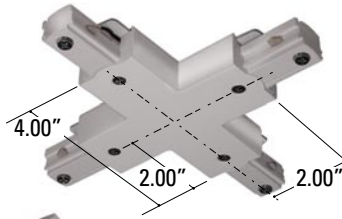
## TRACK CONNECTORS



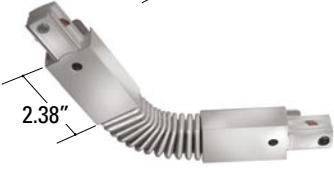
Item		Finish	
<input type="checkbox"/>	<b>GES34</b>	Feedable 'L' Connector for One Circuit Track	<input type="checkbox"/> <b>3</b> White
<input type="checkbox"/>	<b>GET34</b>	Feedable 'L' Connector for Two Circuit Track	<input type="checkbox"/> <b>2</b> Black
<b>5</b>			



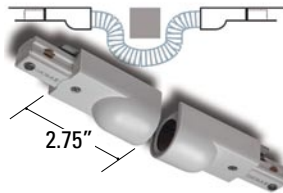
<input type="checkbox"/>	<b>GES40</b>	Feedable 'T' Connector for One Circuit Track Left/Right Configurable	<input type="checkbox"/> <b>3</b> White
<input type="checkbox"/>	<b>GET39</b>	Feedable 'T' Connector for Two Circuit Track Right Configuration	<input type="checkbox"/> <b>2</b> Black
<input type="checkbox"/>	<b>GET40</b>	Feedable 'T' Connector for Two Circuit Track Left Configuration	
<b>6</b>			



<input type="checkbox"/>	<b>GES38</b>	Feedable 'X' Connector for One Circuit Track	<input type="checkbox"/> <b>3</b> White
<input type="checkbox"/>	<b>GET38</b>	Feedable 'X' Connector for Two Circuit Track	<input type="checkbox"/> <b>2</b> Black
<b>7</b>			

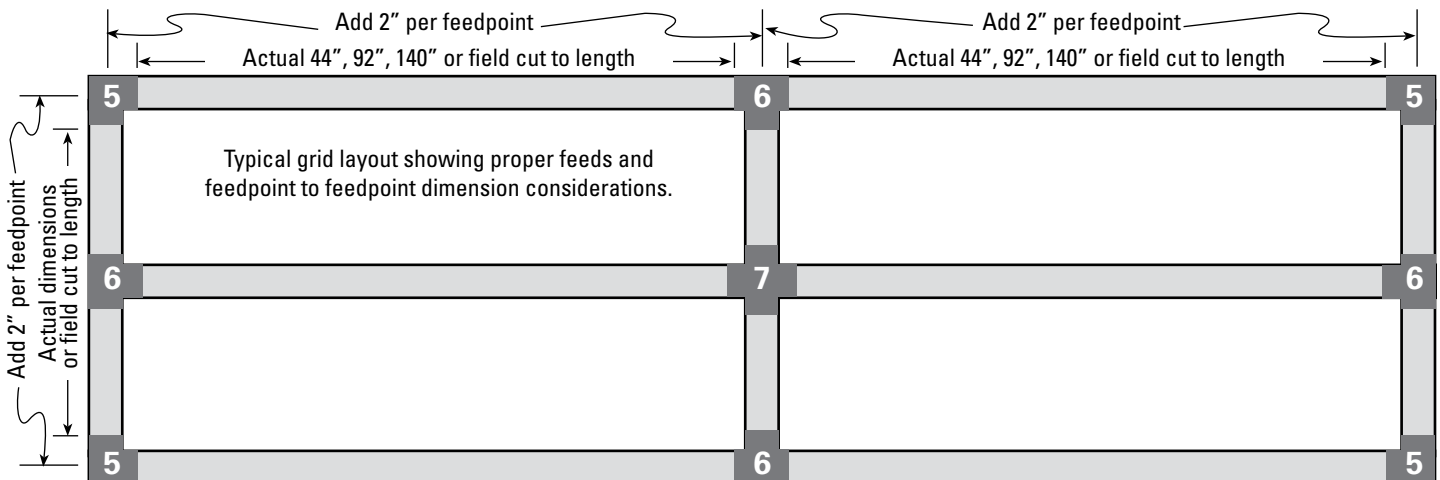


<input type="checkbox"/>	<b>GES23</b>	Flexible Connector for One Circuit Track	<input type="checkbox"/> <b>3</b> White
<input type="checkbox"/>	<b>GET23</b>	Flexible Connector for Two Circuit Track	<input type="checkbox"/> <b>2</b> Black



<input type="checkbox"/>	<b>GES13+16</b>	Conduit Continuation Kit for One Circuit Track	<input type="checkbox"/> <b>3</b> White
<input type="checkbox"/>	<b>GET13+16</b>	Conduit Continuation Kit for Two Circuit Track	<input type="checkbox"/> <b>2</b> Black
Used to jumper track runs around obstacles.			

## TRACK CONFIGURATION



# 20 AMP TRACK - 120V - ONE OR TWO CIRCUIT

## ACCESSORIES



Item		Finish
<input type="checkbox"/> <b>GES41</b>	Dead End - Included with live end feeds, live centerfeeds, conduit end feeds and L, T, and X connectors. May also be ordered separately.	<input type="checkbox"/> <b>3</b> White <input type="checkbox"/> <b>2</b> Black

<input type="checkbox"/> <b>GES15</b>	Outlet Box Cover	<input type="checkbox"/> <b>3</b> White <input type="checkbox"/> <b>2</b> Black
---------------------------------------	------------------	--

<input type="checkbox"/> <b>GES70</b>	Monopoint Canopy - One Circuit	<input type="checkbox"/> <b>3</b> White <input type="checkbox"/> <b>2</b> Black
---------------------------------------	--------------------------------	--

<input type="checkbox"/> <b>GES67</b>	Floating Feed for One Circuit Track	<input type="checkbox"/> <b>3</b> White
<input type="checkbox"/> <b>GET67</b>	Floating Feed for Two Circuit Track	<input type="checkbox"/> <b>2</b> Black

<input type="checkbox"/> <b>GES17</b>	T-Bar Feed Kit for One or Two Circuit Track Allows for feeding of track from an intersection point in a suspended ceiling application. For use with GES/GET 11, 14, 34, 38, 39 & 40 connectors.	<input type="checkbox"/> <b>3</b> White <input type="checkbox"/> <b>2</b> Black
---------------------------------------	--	--

Item		Length	Finish
<input type="checkbox"/> <b>GEA37</b>	Stem Kit Includes stem & canopy.	<input type="checkbox"/> 12" <input type="checkbox"/> 18" <input type="checkbox"/> 24" <input type="checkbox"/> 48"	<input type="checkbox"/> <b>3</b> White <input type="checkbox"/> <b>2</b> Black

<input type="checkbox"/> <b>GEA10</b>	Universal Stem Suspension Point (Stem not included)	<input type="checkbox"/> <b>3</b> White <input type="checkbox"/> <b>2</b> Black
---------------------------------------	---	--

<input type="checkbox"/> <b>GEA11</b>	End Feed Stem Suspension Point (Stem not included.)	<input type="checkbox"/> <b>3</b> White <input type="checkbox"/> <b>2</b> Black
---------------------------------------	---	--

# 20 AMP TRACK - 120V - TWO CIRCUIT / TWO NEUTRAL

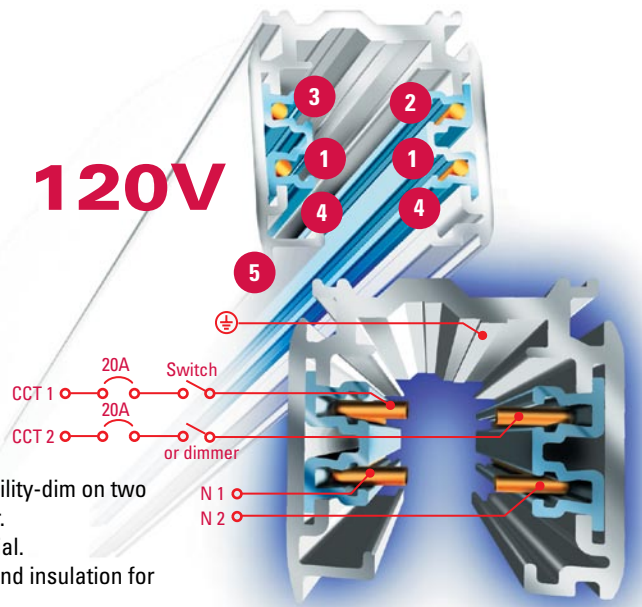
- High Quality
- Low Profile
- Easy, Flexible Installation

Superior performance for dimmed lighting, low life-cycle cost, and high power handling capability make RSA's Profile Series 20 AMP 2 Circuit / 2 Neutral track an excellent choice.

This system is ideal for dimming intensive applications. The independent neutrals guarantee that the two circuits are completely isolated. Cross-circuit interference and neutral harmonics are completely eliminated, essential for trouble free dimming. The lack of harmonics ensures superior fixture performance and longer equipment life. Independent neutrals also offer twice the power handling capacity of ordinary common neutral track.


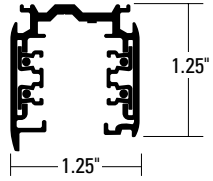
Profile Series 20 AMP 2 Circuit / 2 Neutral track is engineered to be a durable, dependable, and simple-to-install lighting solution. The track's extruded aluminum construction and continuously crimped conductor ensure mechanical strength and electrical reliability. The integral suspension rail and pre-drilled mounting holes of the track simplify installations.

- 1. Independent Neutrals** - enable greater power capacity (2 x 20A); Dimming capability-dim on two independent circuits without harmonics or interference on the neutral conductor.
- 2. Oversized Conductors** - for higher operating safety and reduced overload potential.
- 3. Secure Bus Bar Insulation** - firmly crimped insulation secures both conductors and insulation for the life of product
- 4. Separate Mechanical Suspension Points** - provides superior weight bearing capacity; ensures electrical contact integrity and reduces likelihood of arcing.
- 5. Polarity Ridge** - takes the guesswork out of connector and track alignment during installation.



## TRACK SECTIONS


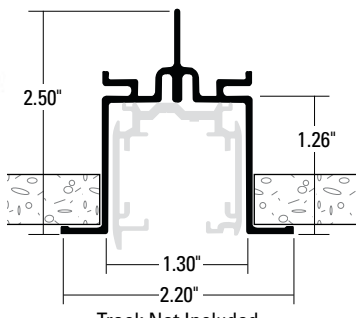
Item	Track Length	Finish
<input type="checkbox"/> <b>TEK4</b> 20 AMP Track Section Two Circuit / Two Neutral 120 Volt Circuit	<input type="checkbox"/> 4 4' Length	<input type="checkbox"/> 3 White
	<input type="checkbox"/> 8 8' Length	<input type="checkbox"/> 2 Black
	<input type="checkbox"/> 12 12' Length	<input type="checkbox"/> 1 Aluminum

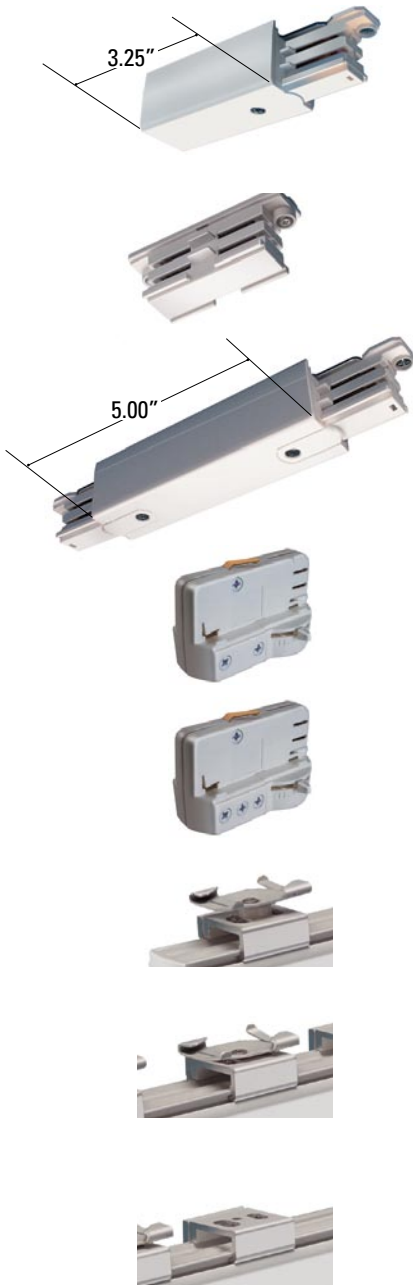
**Ordering Example:** TEK4 12 1

**Description:** 20 AMP Track Section Two Circuit / Two Neutral - 12 foot length - Aluminum Finish

Item	Track Length	Finish
<input type="checkbox"/> <b>FTP4</b> Recessed Housing for Two Circuit / Two Neutral Track Section	<input type="checkbox"/> 4 4' 3.5" Length	<input type="checkbox"/> 3 White
	<input type="checkbox"/> 8 8' 3.5" Length	<input type="checkbox"/> 4 Black
	<input type="checkbox"/> 12 12' 3.5" Length	<input type="checkbox"/> 1 Aluminum

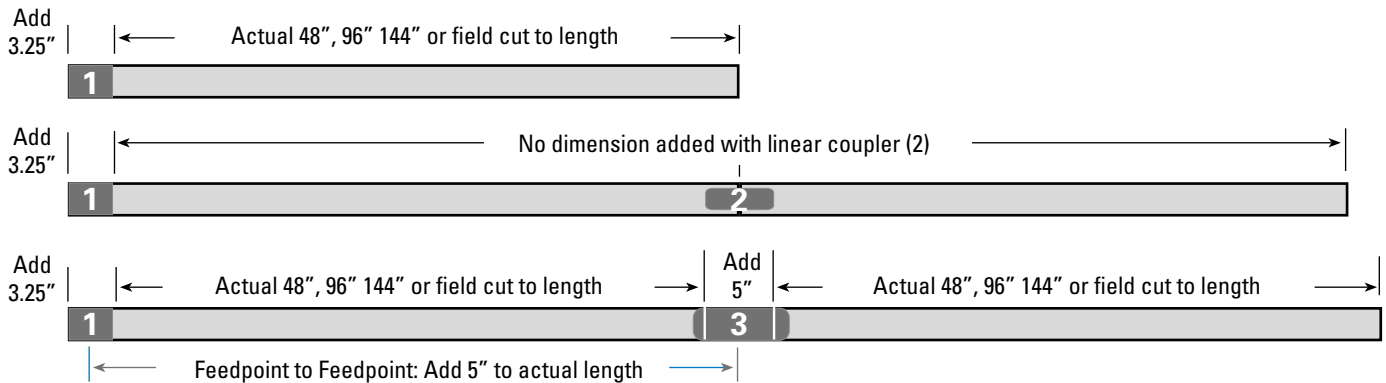



## POWER FEEDS & CONNECTORS



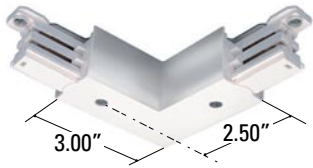
Item	Finish
<input type="checkbox"/> <b>TEK11</b> Live End Feed for 2 Circuit / 2 Neutral Track	<input type="checkbox"/> <b>3</b> White <input type="checkbox"/> <b>2</b> Black
<input type="checkbox"/> <b>TEK21</b> Linear Coupler for 2 Circuit / 2 Neutral Track	<input type="checkbox"/> <b>3</b> White <input type="checkbox"/> <b>2</b> Black
<input type="checkbox"/> <b>TEK14</b> Live Center Feed for 2 Circuit / 2 Neutral Track	<input type="checkbox"/> <b>3</b> White <input type="checkbox"/> <b>2</b> Black
<input type="checkbox"/> <b>TEK69</b> Adapter - Switchable between circuits & on/off Max. 10lbs. / 1200W	<input type="checkbox"/> <b>3</b> White <input type="checkbox"/> <b>2</b> Black
<input type="checkbox"/> <b>TEK68</b> Adapter - Switchable between circuits & on/off Max. 20lbs. / 1200W - Includes rotation lock	<input type="checkbox"/> <b>3</b> White <input type="checkbox"/> <b>2</b> Black
<input type="checkbox"/> <b>SKBX12</b> GWB Ceiling Mounting Clip	
<input type="checkbox"/> <b>SKBT12</b> T-Bar Ceiling Mounting Clip	
<input type="checkbox"/> <b>SKB12</b> Suspension Clip for Cable or Threaded Rod	

## TRACK CONFIGURATION

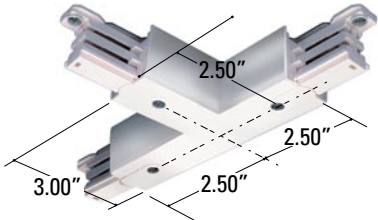


# 20 AMP TRACK - 120V - TWO CIRCUIT / TWO NEUTRAL

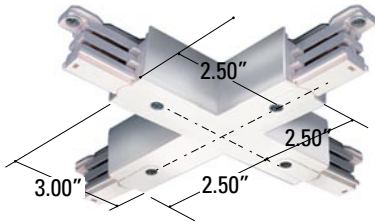
## TRACK CONNECTORS



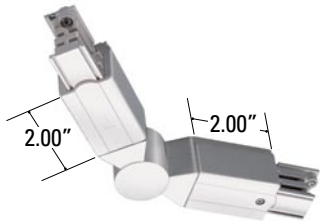
Item	Finish
<input type="checkbox"/> <b>TEK34</b> Feedable 'L' Connector for 2 Circuit / 2 Neutral Track	<input type="checkbox"/> <b>3</b> White <input type="checkbox"/> <b>2</b> Black
<b>4</b>	



<input type="checkbox"/> <b>TEK39</b> Feedable 'T' Connector for 2 Circuit / 2 Neutral Track Adjustable Right Polarity	<input type="checkbox"/> <b>3</b> White <input type="checkbox"/> <b>2</b> Black
<b>5a</b>	
<input type="checkbox"/> <b>TEK40</b> Feedable 'T' Connector for 2 Circuit / 2 Neutral Track Adjustable Left Polarity	
<b>5b</b>	



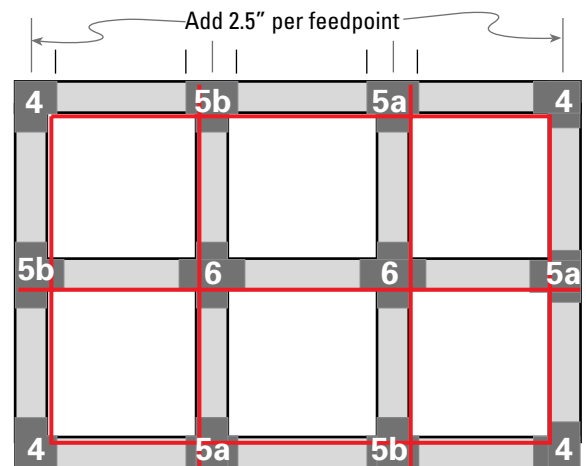
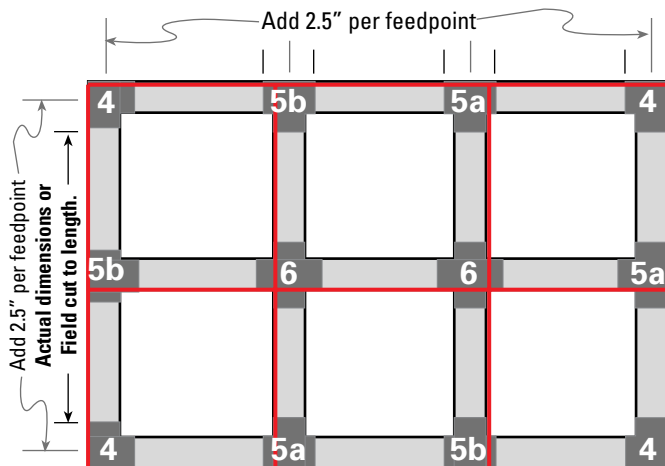
<input type="checkbox"/> <b>TEK38</b> Feedable 'X' Connector for 2 Circuit / 2 Neutral Track	<input type="checkbox"/> <b>3</b> White <input type="checkbox"/> <b>2</b> Black
<b>6</b>	



<input type="checkbox"/> <b>TEK24</b> Adjustable Elbow Connector for 2 Circuit / 2 Neutral Track	<input type="checkbox"/> <b>3</b> White <input type="checkbox"/> <b>2</b> Black
--	--

## TRACK CONFIGURATION

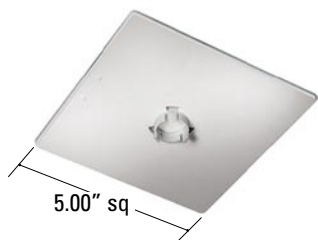
RSA's Profile Series 2 Circuit / 2 Neutral track is polarized and is manufactured with identifying ridges (red line on the diagrams below). Refer to these diagrams to ensure proper connector selection.



## ACCESSORIES



Item		Finish
<input type="checkbox"/> <b>TEK41</b>	Dead End (Must be ordered separately)	<input type="checkbox"/> <b>3</b> White <input type="checkbox"/> <b>2</b> Black



<input type="checkbox"/> <b>GES15</b>	Outlet Box Cover	<input type="checkbox"/> <b>3</b> White <input type="checkbox"/> <b>2</b> Black
---------------------------------------	------------------	--



Item		Length	Finish
<input type="checkbox"/> <b>SPUS</b>	Stem Kit Includes stem & canopy.	<input type="checkbox"/> 12" <input type="checkbox"/> 18" <input type="checkbox"/> 24" <input type="checkbox"/> 48"	<input type="checkbox"/> <b>3</b> White <input type="checkbox"/> <b>2</b> Black



Item		Finish
<input type="checkbox"/> <b>SP4P</b>	Universal Stem Suspension Point Also works with cable and threaded rod suspension. Includes bracket and cover. Stem not included.	<input type="checkbox"/> <b>3</b> White <input type="checkbox"/> <b>2</b> Black



<input type="checkbox"/> <b>SP4T</b>	End Feed Stem Suspension Point Also works with cable and threaded rod suspension. Includes bracket and cover. Stem not included.	<input type="checkbox"/> <b>3</b> White <input type="checkbox"/> <b>2</b> Black
--------------------------------------	--	--

Also available in L, T and X configurations. Specify SP4L, SP4T or SP4X



<input type="checkbox"/> <b>SKB30</b>	Cable or Threaded Rod Mount Ceiling Cup	<input type="checkbox"/> <b>3</b> White
<input type="checkbox"/> <b>SKB34</b>	Cable (Must specify length. Finish not applicable)	<input type="checkbox"/> <b>2</b> Black
<input type="checkbox"/> <b>SKB32</b>	Plastic Cover Tube for Threaded Rod (65' Roll)	
<input type="checkbox"/> <b>SKB12</b>	Cable or Threaded Rod Mount Clip	

Threaded Rod by others.

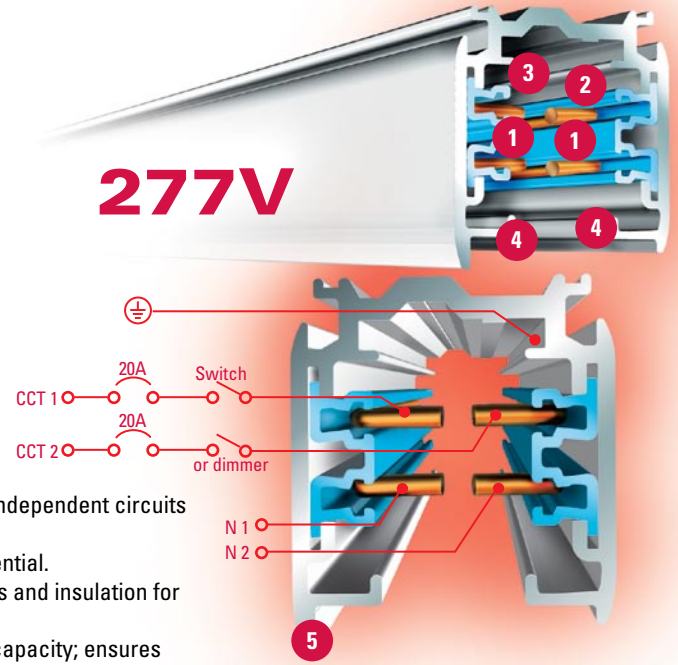
# 20 AMP TRACK - 277V - TWO CIRCUIT / TWO NEUTRAL

- 277V / 5540W Per Circuit
- Longer Runs
- Reduced Installation Cost

RSA's HTEK 2-circuit/2-neutral 277V lighting track is well suited for larger retail and institutional applications where a number of metal halide or fluorescent fixtures will be used. The HTEK system offers twice the capacity of ordinary 120V track allowing for substantially longer runs with more fixtures between feedpoints. This translates into enhanced aesthetics and reduced installation costs. Fewer feedpoints mean fewer costly home runs to the panel box. The isolated neutrals mean that cross-circuit interference and neutral harmonics are completely eliminated, ensuring superior fixture performance and life. Independent neutrals also offer twice the power handling capacity of ordinary common neutral track.


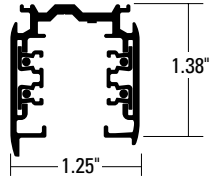
RSA's Profile Series lighting track is engineered to be a durable, dependable and simple-to-install lighting solution. Extruded aluminum construction and continuously crimped conductors ensure superior mechanical strength and electrical reliability. An integral suspension rail and pre-drilled mounting holes of the track simplify installations.

- 1. Independent Neutrals** - enable greater power capacity (2 x 20A); Dim on two independent circuits without harmonics or interference on the neutral conductor.
- 2. Oversized Conductors** - for higher operating safety and reduced overload potential.
- 3. Secure Bus Bar Insulation** - firmly crimped insulation secures both conductors and insulation for the life of product
- 4. Separate Mechanical Suspension Points** - provides superior weight bearing capacity; ensures electrical contact integrity and reduces likelihood of arcing.
- 5. Polarity Ridge** - takes the guesswork out of connector and track alignment during installation.



## TRACK SECTIONS


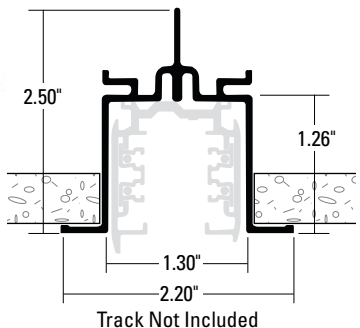
Item	Track Length	Finish
<input type="checkbox"/> <b>HTEK4</b> 20 AMP Track Section Two Circuit / Two Neutral 277 Volt Circuit	<input type="checkbox"/> 4 4' Length	<input type="checkbox"/> 3 White
	<input type="checkbox"/> 8 8' Length	<input type="checkbox"/> 2 Black
	<input type="checkbox"/> 12 12' Length	<input type="checkbox"/> 1 Aluminum

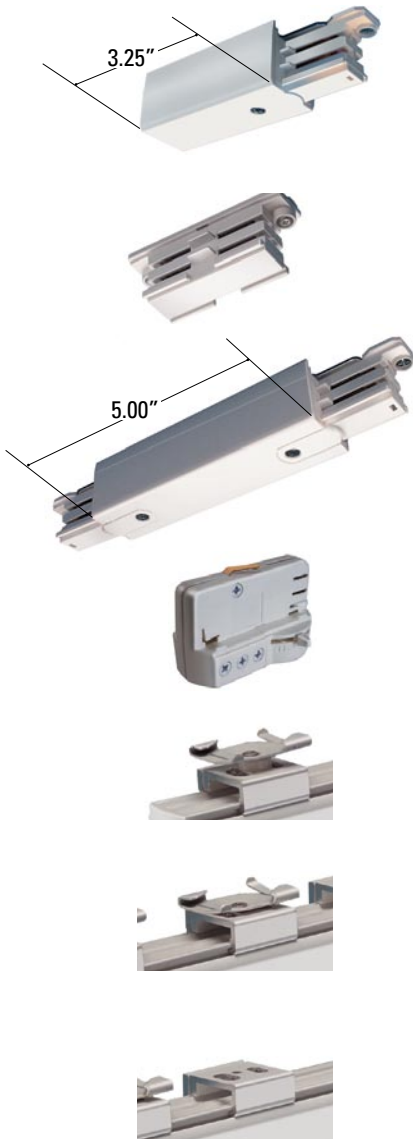
**Ordering Example:** HTEK4 12 1

**Description:** 20 AMP Track Section Two Circuit / Two Neutral 277V - 12 foot length - Natural Aluminum Finish

Item	Track Length	Finish
<input type="checkbox"/> <b>FTP4</b> Recessed Housing for Two Circuit / Two Neutral Track Section	<input type="checkbox"/> 4 4' 3.5" Length	<input type="checkbox"/> 3 White
	<input type="checkbox"/> 8 8' 3.5" Length	<input type="checkbox"/> 4 Black
	<input type="checkbox"/> 12 12' 3.5" Length	<input type="checkbox"/> 1 Aluminum

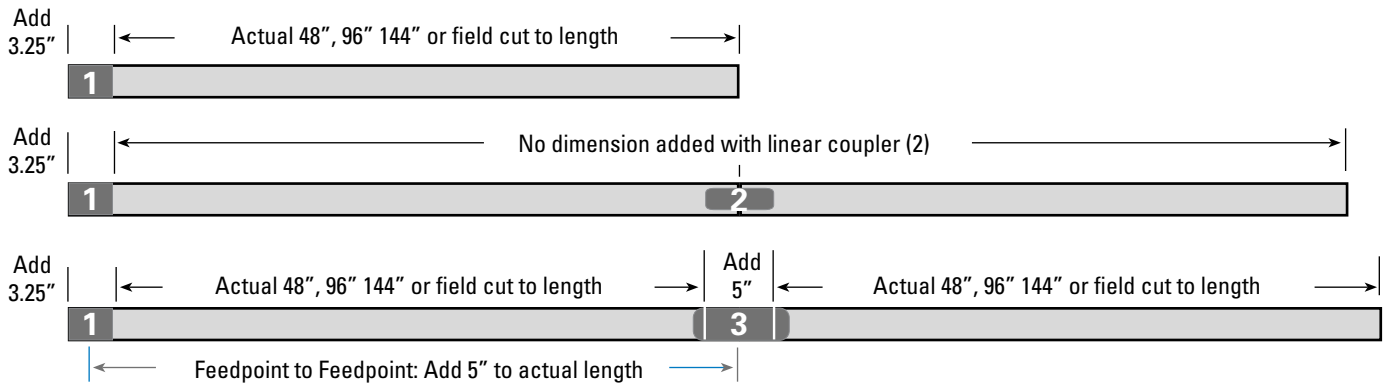



## POWER FEEDS & CONNECTORS



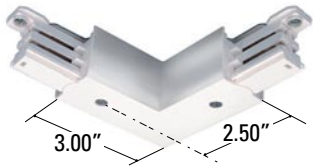
Item	Finish
<input type="checkbox"/> <b>TEK11</b> Live End Feed for 2 Circuit / 2 Neutral Track	<input type="checkbox"/> <b>3</b> White <input type="checkbox"/> <b>2</b> Black
<b>1</b>	
<input type="checkbox"/> <b>TEK21</b> Linear Coupler for 2 Circuit / 2 Neutral Track	<input type="checkbox"/> <b>3</b> White <input type="checkbox"/> <b>2</b> Black
<b>2</b>	
<input type="checkbox"/> <b>TEK14</b> Live Center Feed for 2 Circuit / 2 Neutral Track	<input type="checkbox"/> <b>3</b> White <input type="checkbox"/> <b>2</b> Black
<b>3</b>	
<input type="checkbox"/> <b>HTEK68</b> Adapter - Switchable between circuits & on/off Max. 20lbs. / 2770W - Includes rotation lock	<input type="checkbox"/> <b>3</b> White <input type="checkbox"/> <b>2</b> Black
<input type="checkbox"/> <b>SKBX12</b> GWB Ceiling Mounting Clip	
<input type="checkbox"/> <b>SKBT12</b> T-Bar Ceiling Mounting Clip	
<input type="checkbox"/> <b>SKB12</b> Suspension Clip for Cable or Threaded Rod	

## TRACK CONFIGURATION

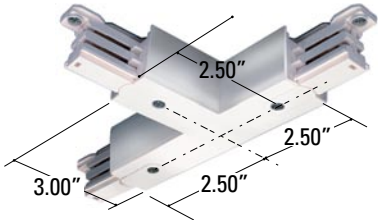


# 20 AMP TRACK - 277V - TWO CIRCUIT / TWO NEUTRAL

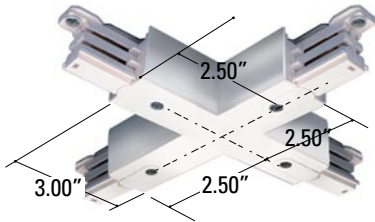
## TRACK CONNECTORS



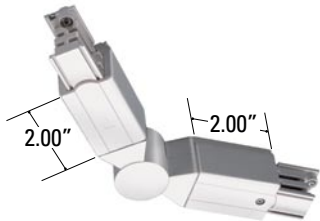
Item	Finish
<input type="checkbox"/> <b>TEK34</b> Feedable 'L' Connector for 2 Circuit / 2 Neutral Track	<input type="checkbox"/> <b>3</b> White <input type="checkbox"/> <b>2</b> Black
<b>4</b>	



<input type="checkbox"/> <b>TEK39</b> Feedable 'T' Connector for 2 Circuit / 2 Neutral Track Adjustable Right Polarity	<input type="checkbox"/> <b>3</b> White <input type="checkbox"/> <b>2</b> Black
<b>5a</b>	
<input type="checkbox"/> <b>TEK40</b> Feedable 'T' Connector for 2 Circuit / 2 Neutral Track Adjustable Left Polarity	
<b>5b</b>	



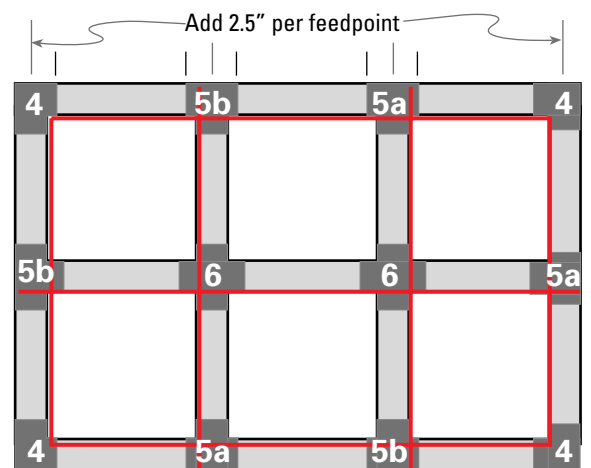
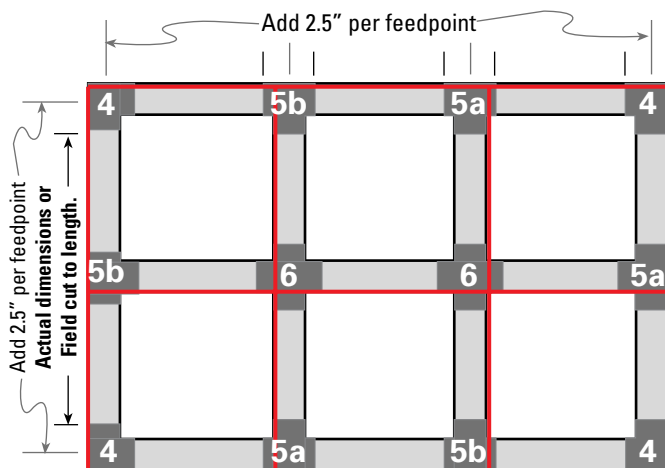
<input type="checkbox"/> <b>TEK38</b> Feedable 'X' Connector for 2 Circuit / 2 Neutral Track	<input type="checkbox"/> <b>3</b> White <input type="checkbox"/> <b>2</b> Black
<b>6</b>	



<input type="checkbox"/> <b>TEK24</b> Adjustable Elbow Connector for 2 Circuit / 2 Neutral Track	<input type="checkbox"/> <b>3</b> White <input type="checkbox"/> <b>2</b> Black
--	--

## TRACK CONFIGURATION

RSA's Profile Series 2 Circuit / 2 Neutral 277V track is polarized and is manufactured with identifying ridges (red line on the diagrams below). Refer to these diagrams to ensure proper connector selection.



## ACCESSORIES



Item		Finish
<input type="checkbox"/> <b>TEK41</b>	Dead End (Must be ordered separately)	<input type="checkbox"/> <b>3</b> White <input type="checkbox"/> <b>2</b> Black



<input type="checkbox"/> <b>GES15</b>	Outlet Box Cover	<input type="checkbox"/> <b>3</b> White <input type="checkbox"/> <b>2</b> Black
---------------------------------------	------------------	--



Item		Length	Finish
<input type="checkbox"/> <b>SPUS</b>	Stem Kit Includes stem & canopy.	<input type="checkbox"/> 12" <input type="checkbox"/> 18" <input type="checkbox"/> 24" <input type="checkbox"/> 48"	<input type="checkbox"/> <b>3</b> White <input type="checkbox"/> <b>2</b> Black



Item		Finish
<input type="checkbox"/> <b>SP4P</b>	Universal Stem Suspension Point Also works with cable and threaded rod suspension. Includes bracket and cover. Stem not included.	<input type="checkbox"/> <b>3</b> White <input type="checkbox"/> <b>2</b> Black



<input type="checkbox"/> <b>SP4T</b>	End Feed Stem Suspension Point Also works with cable and threaded rod suspension. Includes bracket and cover. Stem not included.	<input type="checkbox"/> <b>3</b> White <input type="checkbox"/> <b>2</b> Black
--------------------------------------	--	--

Also available in L, T and X configurations. Specify SP4L, SP4T or SP4X

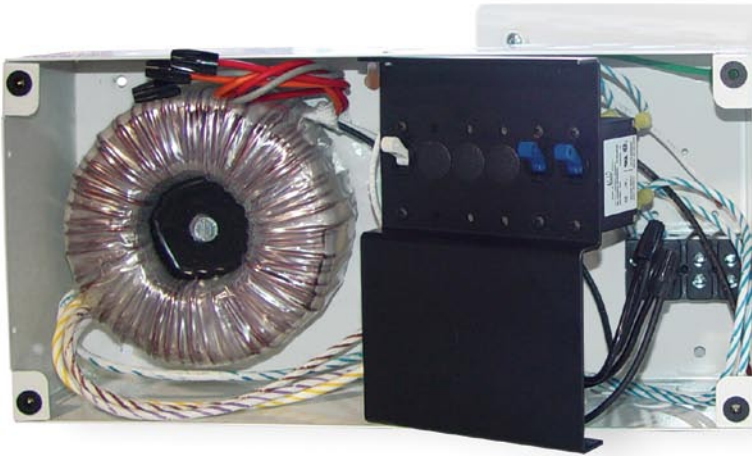


<input type="checkbox"/> <b>SKB30</b>	Cable or Threaded Rod Mount Ceiling Cup	<input type="checkbox"/> <b>3</b> White
<input type="checkbox"/> <b>SKB34</b>	Cable (Must specify length. Finish not applicable)	<input type="checkbox"/> <b>2</b> Black
<input type="checkbox"/> <b>SKB32</b>	Plastic Cover Tube for Threaded Rod (65' Roll)	
<input type="checkbox"/> <b>SKB12</b>	Cable or Threaded Rod Mount Clip	

Threaded Rod by others.

# LOW VOLTAGE POWER SOURCE CENTER TRANSFORMERS

The design of RSA's Low Voltage POWER SOURCE CENTER transformers allow for a more versatile installation and reduced costs to the customer. In addition, these transformers use magnetic breakers, which prevents tripping caused by the ambient temperature of the transformer. The transformers utilize four primary taps to recover losses from voltage drop.



## Housing

16 Gauge welded steel measuring 14.25" L x 7.00" W x 4.00" H with 21 knockouts. Swivel Bracket installed for easy access to wiring compartments.

## Primary Circuit

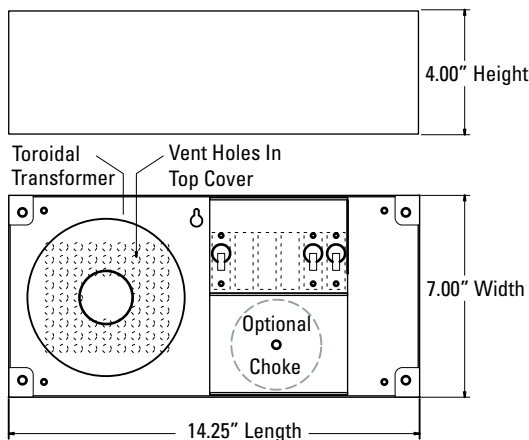
Utilizes four (4) primary taps to provide secondary voltages of: 11V, 12V, 13V & 14V. Loads may be connected to one (1) of the primary taps up to the full watt rating of the transformer. The advantage is that loads at varying distances from the transformer can be tapped to recover voltage drop and produce between 85%-100% light output.

## Secondary Circuit

Protected by up to two (2) magnetic circuit breakers. All wiring by the electrical contractor must be CLASS 1 compliant to N.E.C. Secondary Breakers available in 10A, 20A, 25A, 30A, 40A, 50A, and 60A.

## Toroidal Choke

A Choke or "Debuzzing Coil" option reduces noise and in-rush current. A choke is especially helpful when dimming, to achieve quiet operation.



## Transformer Ordering

Model Number	Max Lamp Load Watts	PSC Efficiency	Max Energy Watts	Max PSC	Max Primary Amps @ 120V	Max Primary Amp @ 277V
<input type="checkbox"/> QF-500MV	500W	.95	526W	614 VA	5.1 A	2.2 A
<input type="checkbox"/> QF-600MV	600W	.95	632W	737 VA	6.1 A	2.7 A
<input type="checkbox"/> QF-750MV	750W	.95	789W	921 VA	7.7 A	3.3 A
<b>Primary Voltage</b>						
<input type="checkbox"/> 120 (60Hz)	<input type="checkbox"/> 277 (50Hz)					
<b>Secondary Voltage</b>						
<input type="checkbox"/> 12						
<b>Number of Secondary Breakers / Secondary Breaker Amperage (Example: 1-40 = 1 Breaker @ 20 AMPs)</b>						
QF-500MV		QF-600MV		QF-750MV		
<input type="checkbox"/> 1-40	<input type="checkbox"/> 2-20	<input type="checkbox"/> 1-50	<input type="checkbox"/> 2-25	<input type="checkbox"/> 1-60	<input type="checkbox"/> 2-30	
<b>Toroidal Choke</b>						
<input type="checkbox"/> CK-L Toroidal Choke - Reduces noise with dimming						
<input type="checkbox"/> XX No choke required						

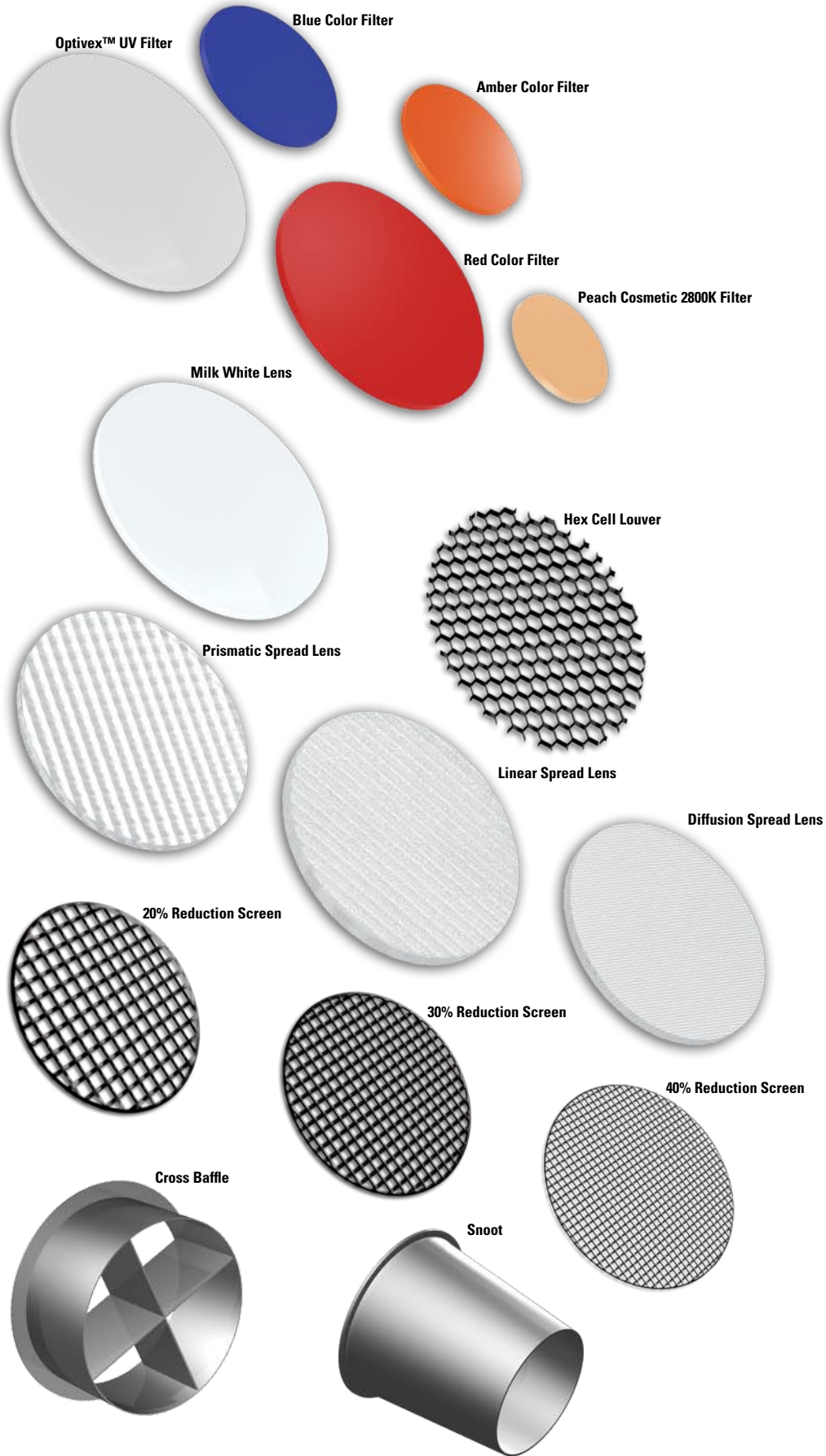
LISTED U.L. 5F78  
LOW VOLTAGE POWER SUPPLY

- Surface ceiling or wall mount
- Suitable for indoor use
- Suitable for damp locations
- Use dimmers rated for magnetic low voltage load
- Complies with N.E.C. Article 411
- Complies with U.L. Standard 2108
- 50/60 cycle A.C. only

Transformers manufactured in the U.S.A. by Q-Tran, Inc.

Example part number:

**QF-600MV-120-12-2-25-CK-L** = 600W transformer, 120V primary, 12V secondary, 2 breakers / 25A each, with choke



**Optivex™ UV Lenses**

RSA's Optivex™ UV lenses eliminate Ultra Violet light below 410 nanometers. This helps to reduce the effect that Ultra Violet light can have on subjects such as fine art.

**Color Filters**

Color filters can create dramatic effects in lighting design as well as offer color correction to bring out the true color of an application.

**Milk White Lens**

For soft lighting effects with high diffusion and reduced shadows.

**Spread Lenses**

Spread lenses offer added light distribution when the standard lamp beam spread is not adequate. The prismatic spread will widen the beam in all directions while the linear spread will widen in two directions. The diffusion spread lens provides a general softening of the light without any loss in brightness.

**Light Reduction Screens**

Screens reduce the light output by 20, 30 or 40%. The lamp's color and distribution is not effected when reduction screens are used.

**Hex Cell Louvers**

The hexagonal shape of this louver provides precise cut-off and smooth edge transfer of the beam pattern.

**Cross Baffles**









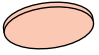










Cross baffles provide excellent cut-off and reduced lamp glare, allowing the beam to illuminate its subject without spilling excess light.

**Snoots**

Tapered snoots produce a circle of light that is much more narrow than the lamp's standard beam pattern. Great for accent lighting.

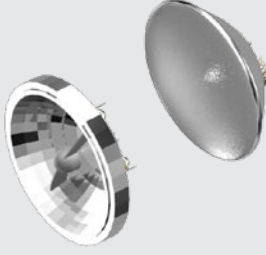


See next two pages for optical accessory ordering information.

# OPTICAL ACCESSORY CROSS-REFERENCE TABLE

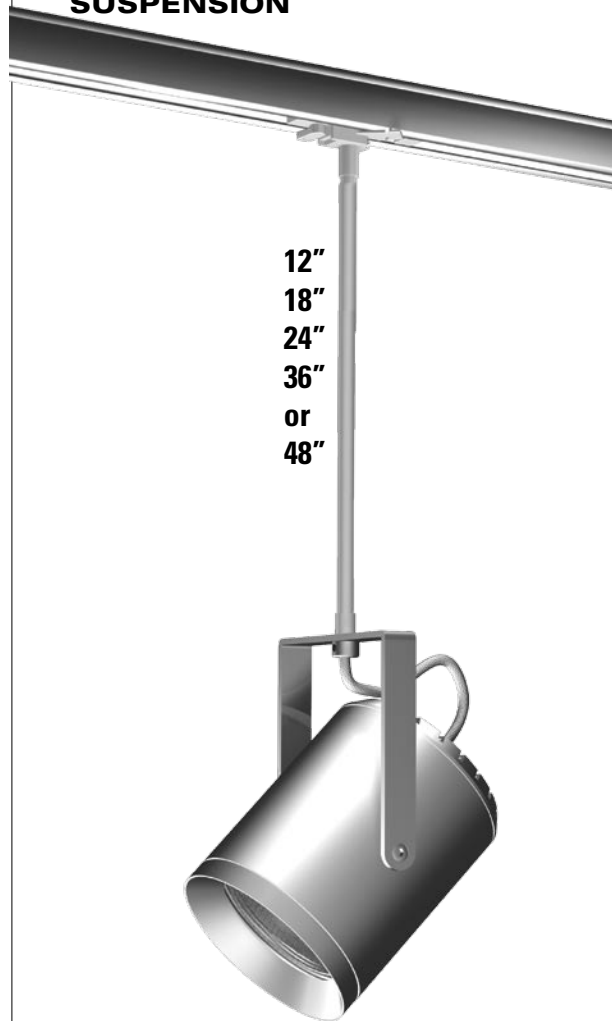
 ACCESSORY TYPE	LAMP TYPE  MR11	 MR16 / PAR16 / ES16MH	 AR70 / PAR20 / PAR20MH	
 Optivex™ UV Filter	LN15	LN25	LN45	
 Red Color Filter	LN16	LN26	LN46	
 Blue Color Filter	LN17	LN27	LN47	
 Amber Color Filter	LN19	LN29	LN49	
 Cosmetic Peach 2800K Filter	CP11	CP16	CP20	
 Milk White Lens	LN14	LN24	LN44	
 Diffusion Spread Lens	LN10	LN21	LN41	
 Linear Spread Lens	LN13	LN23	LN43	
 Prismatic Spread Lens	LN12	LN22	LN42	
 20% Light Reduction Screen	RS2011	RS2016	RS2020	
 30% Light Reduction Screen	RS3011	RS3016	RS3020	
 40% Light Reduction Screen	RS4011	RS4016	RS4020	
 Hex Cell Louver	LN10	LN20	LN40	
 Cross Baffle	CB11WH - White CB11BK - Black CB11AL - Natural Aluminum	CB16WH - White CB16BK - Black CB16AL - Natural Aluminum	CB20WH - White CB20BK - Black CB20AL - Natural Aluminum	
 Snoot	SN11WH - White SN11BK - Black SN11AL - Natural Aluminum	SN16WH - White SN16BK - Black SN16AL - Natural Aluminum	SN20WH - White SN20BK - Black SN20AL - Natural Aluminum	

**NOTE:** Certain optical accessories have slight dimensional differences depending on which Profile Series fixture they are to be used with. Be sure to consult RSA Customer Service for details when ordering accessories with a fixture or separately.

# OPTICAL ACCESSORY CROSS-REFERENCE TABLE

 AR111 / PAR36	 PAR30 / PAR30MH / T4 G8.5MH	 PAR38 / PAR38MH / T6 G12MH
LN85	LN35	LN65
LN86	LN36	LN66
LN87	LN37	LN67
LN89	LN39	LN69
CP111	CP30	CP38
LN84	LN34	LN64
LN81	LN31	LN61
LN83	LN33	LN63
LN82	LN32	LN62
RS2036	RS2030	RS2038
RS3036	RS3030	RS3038
RS4036	RS4030	RS4038
LN80	LN30	LN60
CB111WH - White CB111BK - Black CB111AL - Natural Aluminum	CB30WH - White CB30BK - Black CB30AL - Natural Aluminum	CB38WH - White CB38BK - Black CB38AL - Natural Aluminum
SN36WH - White SN36BK - Black SN36AL - Natural Aluminum (PAR36 Only)	SN30WH - White SN30BK - Black SN30AL - Natural Aluminum	SN38WH - White SN38BK - Black SN38AL - Natural Aluminum

## STEMS FOR FIXTURE SUSPENSION



Stems are available for RSA's Machined and Mini Metal Halide Fixtures. Standard lengths include 12", 18", 24", 36" and 48". Custom lengths are available upon request. To specify, add one of the following codes to the end of your item number.

- S12 12" Stem
- S18 18" Stem
- S24 24" Stem
- S36 36" Stem
- S48 48" Stem

## HARDWIRED MONOPOINT CANOPY

Round monopoint canopy 5" diameter x 1/2" deep for line voltage fixtures or low voltage fixtures for remote transformer or with integral transformer. Mounts to standard junction box.



- MP 120V or 12V Remote Transformer
- MPLV 12V w/ Integral Transformer