

# STEALTH - RECESSED ACCENT FIXTURE

RSA's Stealth Series Accent Fixtures are a collection of recessed lighting products that take RSA's recessed adjustable products to the next level.

Housing vent holes provide cooler operation and are shielded from sight below the ceiling.

Heavy duty butterfly brackets for commercial installations.

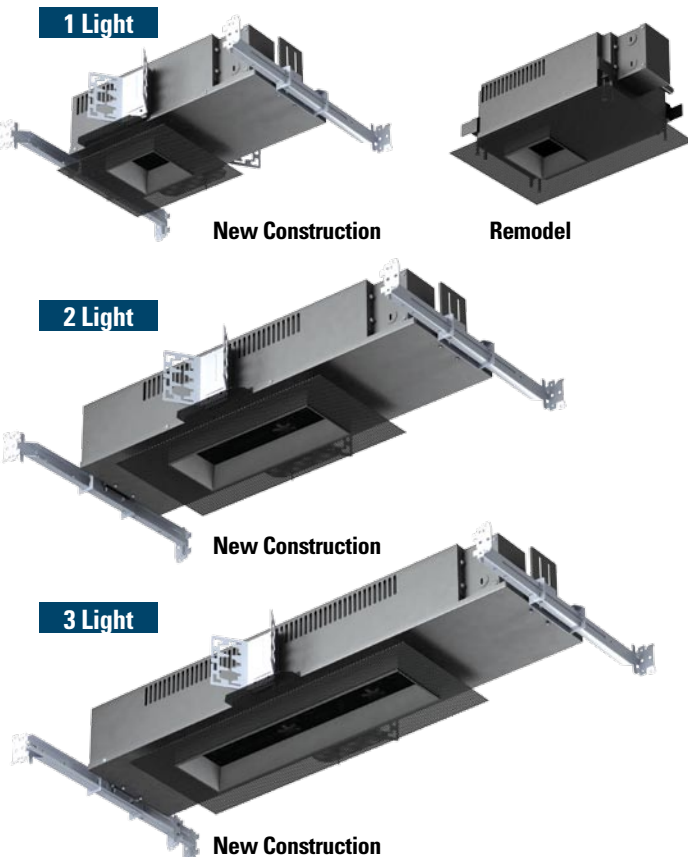
Heavy duty hanger bars for residential installations.

Transformers and wiring are easily accessible from below the ceiling.

Trim insert is easily removed for maintenance access.

Perforated mesh frame for drywall ceilings. Removable for special ceiling materials.

Housing and trim internal finish is ultra-flat black. This image was lightened to provide visual detail.



Stealth housings include a perforated metal mesh plate for direct fastening to wood or metal studs or frames through the drywall. The mesh plate includes a screed edge at the aperture for direct application of ceiling mudding compound for trimless installation.

Stealth housings are offered in new construction (1, 2, and 3 light) and remodel (1 light only). New Construction housings include butterfly brackets and hanger bars for commercial or residential installations respectively. This hardware may be utilized for trimless installation in non-drywall ceilings such as wood or concrete. The remodel housing is secured with heavy duty "swing-out" clips.

The trim insert is easily installed and removed for maintenance access. Inserts are available in regressed, flush or flanged styles, trim or trimless with slot or individual window openings.

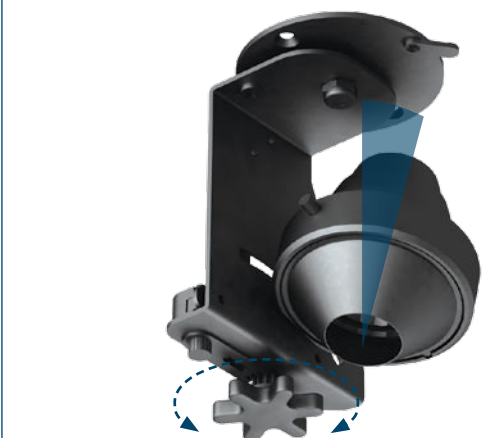
The fixture is supplied with a choice of electronic, magnetic or toroidal transformers that are easily accessed through the aperture of the fixture.

The self-locking adjustable lamp holder provides 40° tilt, zero beam clipping at the aperture and a minimized 'flash' on the bezel of the trim. The mechanism also includes a moving rotation over-center stop mechanism that allows up to 370° of rotation.

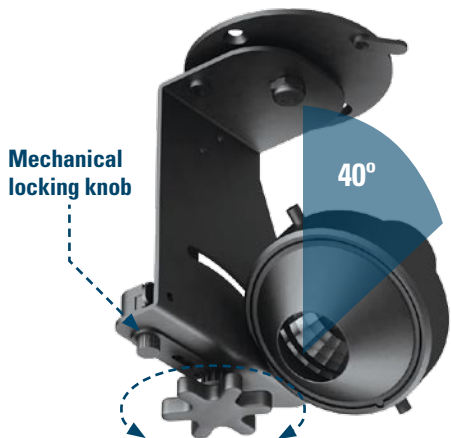
All internal components are black powder coat. Custom finishes are available upon request.

# Mechanically Locking Adjustable Lamp Holder with HOT AIMING

**1** Machined HOT AIMING knob may be rotated by hand for 0° to >40° aiming capability while the fixture is powered on. **2** The precision rack and pinion gear mechanism slowly adjusts the pivot of the lamp.



**3** The mechanical locking feature ensures the lamp holder will remain in the intended position both during and after relamping. **4** The rotating mounting plate provides 370° rotational adjustment.



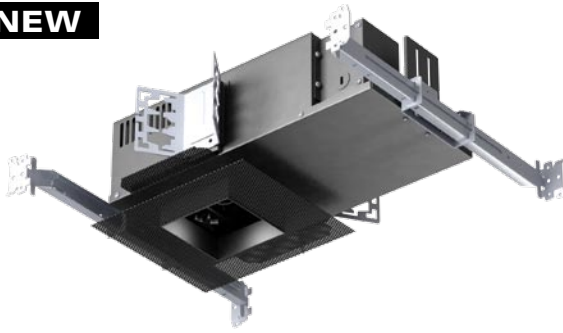
**5** The use of an over-center stop mechanism enables full rotation without the risk of short circuiting the fixture due to pinched wire leads. **6** Snoots are included on all lamp holders. Snoots are secured with bullet catches and are easily removed for maintenance.



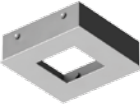
# STEALTH - 1 LIGHT ACCENT FIXTURE - 12V MR16

STEALTH - 1 LIGHT ACCENT FIXTURE - 12V MR16

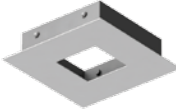
**NEW**



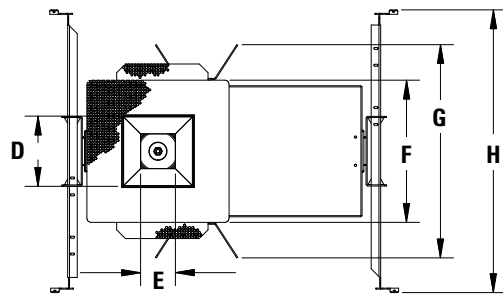
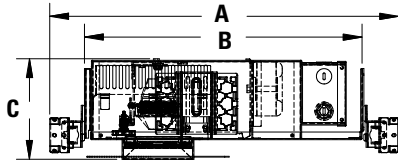
**"RG" - Regressed Trimless**  
2.0" sq. aperture width  
1.0" regress



**"FW" - Trimless Flush Window**  
2.0" sq. window aperture  
4.0" sq. flush face width



**"TW" - Flanged Window**  
2.0" sq. window aperture  
5.0" sq. flange width / 0.5" overlap



Ceiling Cut-Out - 4.20" x 4.20"

DIMENSIONS				
A	B	C	D	E
20.05"	15.95"	5.78"	4.04" sq,	2.00"
F	G	H		
8.17"	12.25"	26.50" - 16.25"		

## STEALTH - ACCENT MR16 - 1 Light Fixture

### Item #

**STAN-116** (1) One Light 12V MR16 Recessed Fixture

### Wattage

20	20 Watt 12V MR16
37	37 Watt 12V MR16
42	42 Watt 12V MR16
50	50 Watt 12V MR16
71	71 Watt 12V MR16

### Trim Style

<b>RG</b>	Trimless Regressed Insert
<b>FW</b>	Trimless Window Insert
<b>TW</b>	Flanged Window Insert

### Trim Insert Finish

<b>WH</b>	White
<b>BK</b>	Black
<b>PT</b>	Custom Color (Specify)

### Transformer

<b>ELC</b>	Electronic
<b>MAG</b>	Magnetic
<b>TRC</b>	Toroidal w/ choke
<b>RMT</b>	Remote (no transformer)

### Voltage

<b>120</b>	120V (Standard)
<b>277</b>	277V

### Accessories

<b>SL</b>	Solite™ Soft Focus Lens
-----------	-------------------------

### Ordering Example

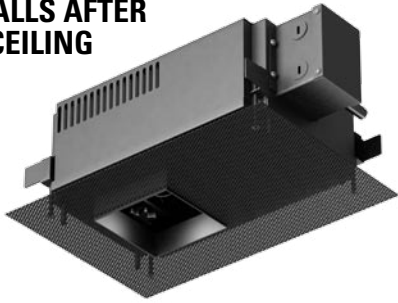
#### STAN-116-50-RG-BK-ELC-120

1 Light Stealth Accent Fixture with Regressed Trimless insert, 50W MR16 lamps, Black trim insert, Electronic transformer, 120V

## Features

- For use in drywall (up to 1" thick) and non-drywall ceiling (up to 1.13" thick) installations such as wood or marble.
- Three options for trim inserts: Regressed Trimless, Flush Trimless or Flanged.
- Includes mesh plaster frame for trimless installation and direct fastening through drywall to metal or wood studs or frame. May be discarded for special ceiling and/or flanged insert installation.
- Insert is easily removed for maintenance and provides excellent cut-off.
- Independently adjustable locking lamp holders with 370° x >40° adjustability and hot-aiming capability.
- Configured with a choice of electronic, magnetic or toroidal low voltage transformers or for remote power supply.
- Electrical J-Box and transformers easily accessed through the aperture.
- Includes butterfly brackets for commercial installations and hanger bars for residential installations.

**INSTALLS AFTER  
THE CEILING**



**NEW**

**STEALTH - ACCENT MR16 - 1 Light Fixture**

**Item #**  
**STAR-116** (1) One Light 12V MR16 Recessed Remodel Fixture

**Wattage**  
**20** 20 Watt 12V MR16  
**37** 37 Watt 12V MR16  
**42** 42 Watt 12V MR16  
**50** 50 Watt 12V MR16  
**71** 71 Watt 12V MR16

**Trim Style**  
**RG** Trimless Regressed Insert  
**FW** Trimless Window Insert  
**TW** Flanged Window Insert

**Trim Insert Finish**  
**WH** White  
**BK** Black  
**PT** Custom Color (Specify)

**Transformer**  
**ELC** Electronic  
**MAG** Magnetic  
**TRC** Toroidal w/ choke  
**RMT** Remote (no transformer)

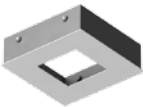
**Voltage**  
**120** 120V (Standard)  
**277** 277V

**Accessories**  
**SL** Solite™ Soft Focus Lens

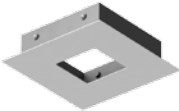
**Ordering Example**  
**STAR-116-50-RG-BK-ELC-120**  
 1 Light Stealth Accent Remodel Fixture with Regressed Trimless insert, 50W MR16 lamps, Black trim insert, Electronic transformer, 120V



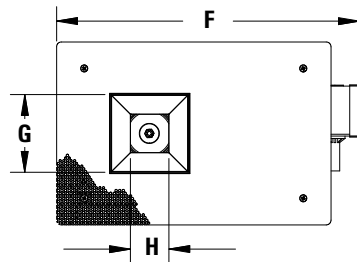
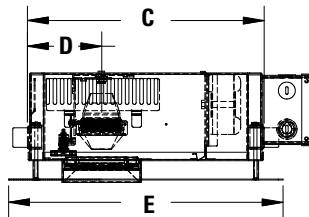
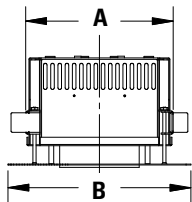
**"RG" - Regressed Trimless**  
 2.0" sq. aperture width  
 1.0" regress



**"FW" - Trimless Flush Window**  
 2.0" sq. window aperture  
 4.0" sq. flush face width



**"TW" - Flanged Window**  
 2.0" sq. window aperture  
 5.0" sq. flange width / 0.5" overlap



Ceiling Cut-Out - 12.38" x 7.75"

DIMENSIONS				
A	B	C	D	E
7.75"	9.50"	12.38"	3.88"	14.25"
F	G	H		
15.72"	4.04" sq.	2.00"		

**Features**

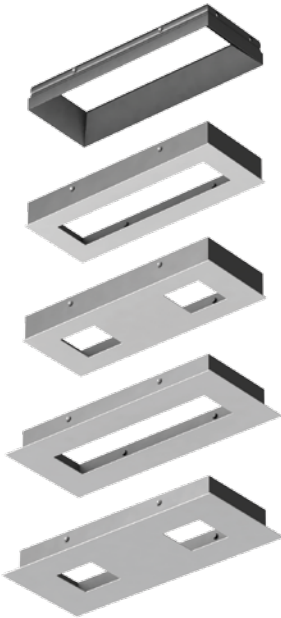
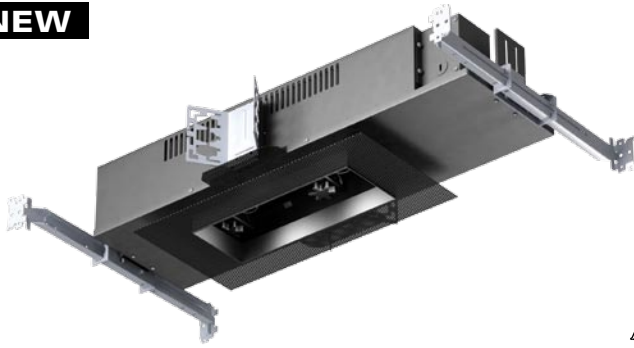
- For remodel installation in drywall.
- Three options for trim inserts: Regressed Trimless, Flush Trimless or Flanged.
- Includes mesh plaster frame for trimless installation and direct fastening through drywall to metal or wood studs or frame. Heavy duty swing-out clips are adjustable for various ceiling thickness up to 1.5".
- Insert is easily removed for maintenance and provides excellent cut-off.
- Independently adjustable locking lamp holders with 370° x >40° adjustability and hot-aiming capability.
- Configured with a choice of electronic, magnetic or toroidal low voltage transformers or for remote power supply.
- Electrical J-Box and transformers easily accessed through the aperture.



# STEALTH - 2 LIGHT ACCENT FIXTURE - 12V MR16

STEALTH - 2 LIGHT ACCENT FIXTURE - 12V MR16

**NEW**



**"RG" - Regressed Trimless**

2.0" x 8.6" aperture  
1.0" regress

**"FS" - Trimless Flush Slot**

2.0" x 8.6" aperture  
4.0" x 10.6" flush face

**"FW" - Trimless Flush Window**

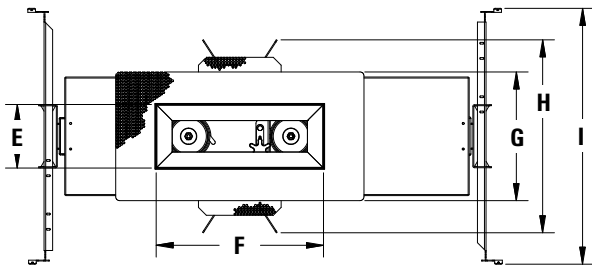
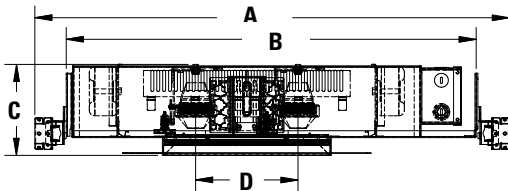
2.0" sq. window apertures - 6" o/c  
4.0" x 10.6" flush face

**"TS" - Flanged Slot**

2.0" x 8.6" aperture  
5.0" x 11.6" flange / 0.5" overlap

**"TW" - Flanged Window**

2" sq. window apertures - 6" o/c  
5.0" x 11.6" flange / 0.5" overlap



Ceiling Cut-Out - 10.84" x 4.20"

**DIMENSIONS**

A	B	C	D	E
30.13"	26.03"	5.78"	6.50"	4.04"
F	G	H	I	
10.54"	8.17"	12.25"	16.25 - 26.50"	

**STEALTH - ACCENT MR16 - 2 Light Fixture**

**Item #**

**STAN-216** (2) Two Light 12V MR16 Recessed Fixture

**Wattage**

20	20 Watt 12V MR16
37	37 Watt 12V MR16
42	42 Watt 12V MR16
50	50 Watt 12V MR16
71	71 Watt 12V MR16

**Trim Style**

RG	Trimless Regressed Insert
FS	Trimless Slot Insert
FW	Trimless Window Insert
TS	Flanged Slot Insert
TW	Flanged Window Insert

**Trim Insert Finish**

WH	White
BK	Black
PT	Custom Color (Specify)

**Transformer**

ELC	Electronic
MAG	Magnetic
TRC	Toroidal w/ choke
RMT	Remote (no transformer)

**Voltage**

120	120V (Standard)
277	277V

**Accessories**

SL	Solite™ Soft Focus Lens
----	-------------------------

**Ordering Example**

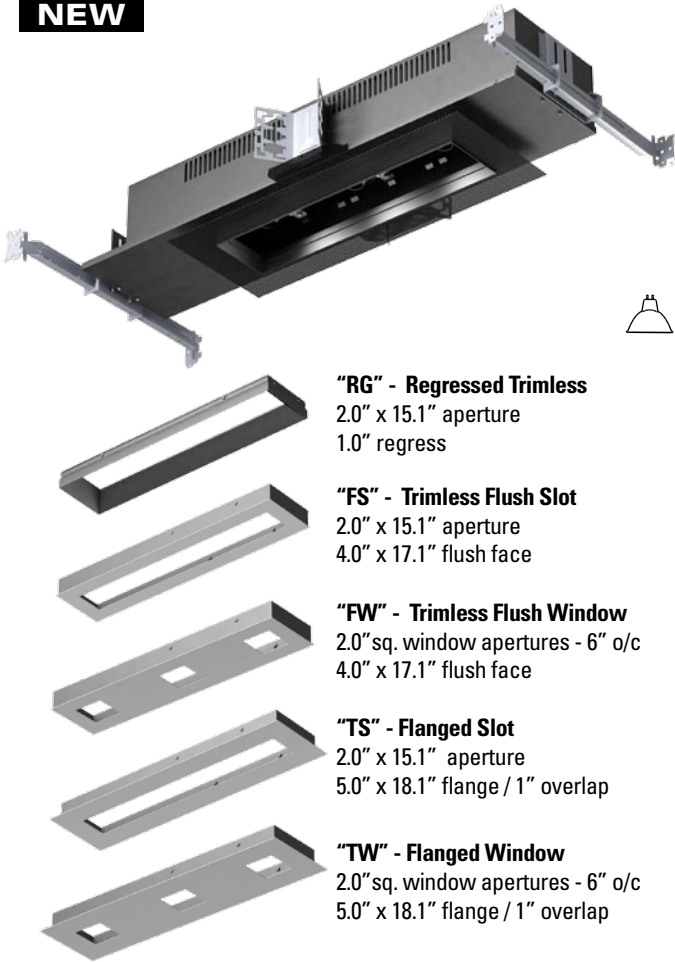
**STAN-216-50-RG-BK-ELC-120**

2 Light Stealth Accent Fixture with Regressed Trimless insert, 50W MR16 lamps, Black trim insert, Electronic transformer, 120V

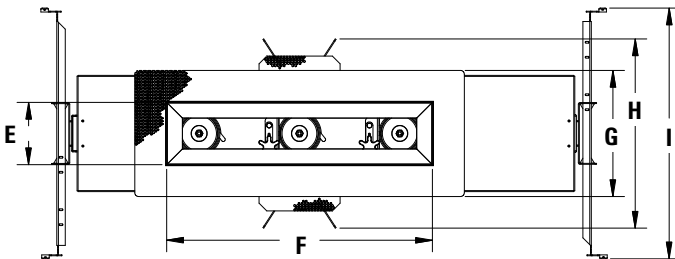
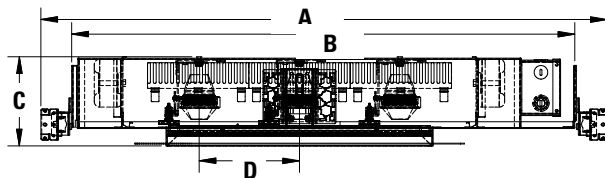
**Features**

- For use in drywall (up to 1" thick) and non-drywall ceiling (up to 1.13" thick) installations such as wood or marble.
- Five options for trim inserts: Regressed Trimless, Flush Trimless or Flanged with or slot or window aperture.
- Includes mesh plaster frame for trimless installation and direct fastening through drywall to metal or wood studs or frame. May be discarded for special ceiling and/or flanged insert installation.
- Insert is easily removed for maintenance and provides excellent cut-off.
- Independently adjustable locking lamp holders with 370° x >40° adjustability and hot-aiming capability.
- Configured with a choice of electronic, magnetic or toroidal low voltage transformers or for remote power supply.
- Electrical J-Box and transformers easily accessed through the aperture.
- Includes butterfly brackets for commercial installations and hanger bars for residential installations.

**NEW**



- "RG" - Regressed Trimless**  
2.0" x 15.1" aperture  
1.0" regress
- "FS" - Trimless Flush Slot**  
2.0" x 15.1" aperture  
4.0" x 17.1" flush face
- "FW" - Trimless Flush Window**  
2.0" sq. window apertures - 6" o/c  
4.0" x 17.1" flush face
- "TS" - Flanged Slot**  
2.0" x 15.1" aperture  
5.0" x 18.1" flange / 1" overlap
- "TW" - Flanged Window**  
2.0" sq. window apertures - 6" o/c  
5.0" x 18.1" flange / 1" overlap



Ceiling Cut-Out - 17.31" x 4.20"

DIMENSIONS				
A	B	C	D	E
36.69"	32.59"	5.78"	6.50"	4.04"
F	G	H	I	
17.04"	8.17"	12.25"	16.25 - 26.50"	

**STEALTH - ACCENT MR16 - 3 Light Fixture**

<b>Item #</b>	
<b>STAN-316</b>	(3) Three Light 12V MR16 Recessed Fixture
<b>Wattage</b>	
<b>20</b>	20 Watt 12V MR16
<b>37</b>	37 Watt 12V MR16
<b>42</b>	42 Watt 12V MR16
<b>50</b>	50 Watt 12V MR16
<b>71</b>	71 Watt 12V MR16
<b>Trim Style</b>	
<b>RG</b>	Trimless Regressed Insert
<b>FS</b>	Trimless Slot Insert
<b>FW</b>	Trimless Window Insert
<b>TS</b>	Flanged Slot Insert
<b>TW</b>	Flanged Window Insert
<b>Trim Insert Finish</b>	
<b>WH</b>	White
<b>BK</b>	Black
<b>PT</b>	Custom Color (Specify)
<b>Transformer</b>	
<b>ELC</b>	Electronic
<b>MAG</b>	Magnetic
<b>TRC</b>	Toroidal w/ choke
<b>RMT</b>	Remote (no transformer)
<b>Voltage</b>	
<b>120</b>	120V (Standard)
<b>277</b>	277V
<b>Accessories</b>	
<b>SL</b>	Solite™ Soft Focus Lens

**Ordering Example**

**STAN-316-50-RG-BK-ELC-120**

3 Light Stealth Accent Fixture with Regressed Trimless insert, 50W MR16 lamps, Black trim insert, Electronic transformer, 120V

**Features**

- For use in drywall (up to 1" thick) and non-drywall ceiling (up to 1.13" thick) installations such as wood or marble.
- Five options for trim inserts: Regressed Trimless, Flush Trimless or Flanged with or slot or window aperture.
- Includes mesh plaster frame for trimless installation and direct fastening through drywall to metal or wood studs or frame. May be discarded for special ceiling and/or flanged insert installation.
- Insert is easily removed for maintenance and provides excellent cut-off.
- Independently adjustable locking lamp holders with 370° x >40° adjustability and hot-aiming capability.
- Configured with a choice of electronic, magnetic or toroidal low voltage transformers or for remote power supply.
- Electrical J-Box and transformers easily accessed through the aperture.
- Includes butterfly brackets for commercial installations and hanger bars for residential installations.