

STEALTH - RECESSED WALL WASH FIXTURE

RSA's Stealth Wall Wash is a recessed trimless fixture for high-performance wall washing applications.

Housing vent holes provide cooler operation and are shielded from sight below the ceiling.

Heavy duty butterfly brackets for commercial installations.

Heavy duty hanger bars for residential installations.

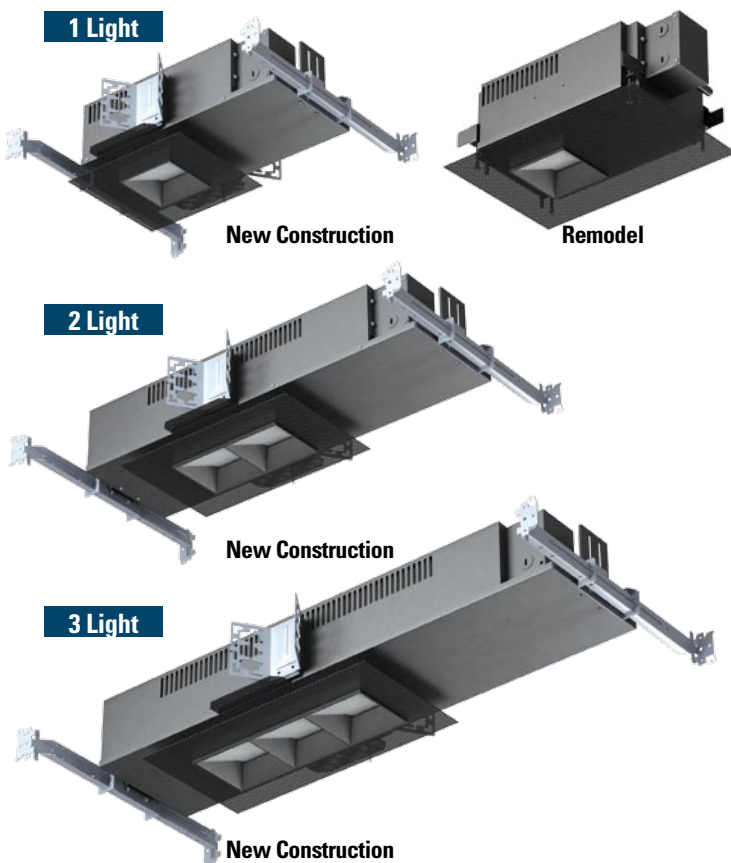
Transformers and wiring are easily accessible from below the ceiling.

Individual DIE CAST trim inserts are easily removed for maintenance access.

Internal kicker reflectors and spread lenses provide optimized light output.

Perforated mesh frame for drywall ceilings. Removable for special ceiling materials.

Housing and trim internal finish is ultra-flat black. This image was lightened to provide visual detail.



Stealth housings include a perforated metal mesh plate for direct fastening to wood or metal studs or frames through the drywall. The mesh plate includes a screed edge at the aperture for direct application of ceiling mudding compound for trimless installation.

Stealth housings are offered in new construction (1, 2, and 3 light) and remodel (1 light only). New Construction housings include butterfly brackets and hanger bars for commercial or residential installations respectively. This hardware may also be utilized for trimless installation in non-drywall ceilings such as wood or concrete. The remodel housing is secured with heavy duty "swing-out" clips.

The 4" wide DIE CAST trim inserts are easily installed and removed for maintenance access.

MR16 lamps are mounted in a slightly angled fixed position with an internal 'kicker' reflector which provides cut-off and directs the light to vertical surfaces. Integral spread lens provides optimized light output.

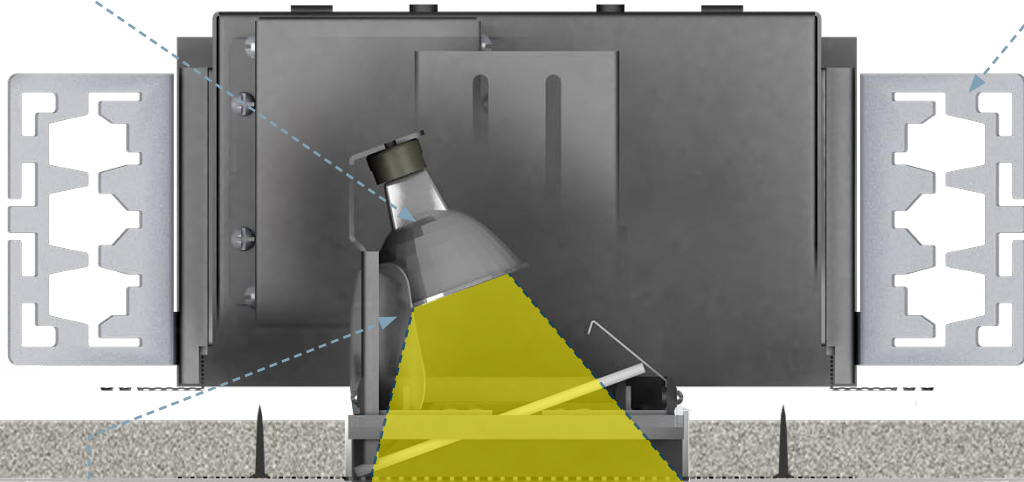
The fixture is supplied with a choice of electronic, magnetic or toroidal transformers that are easily accessed through the aperture of the fixture.

All internal components are black powder coat. Custom finishes are available upon request.

Wall Wash Fixture - Trimless Ceiling Installation

Low voltage MR16 lamps mounted on 10° fixed angle

Butterfly brackets and hangers are height adjustable.



Internal kicker plate reflector enhances the lamp performance and pushes the light to the wall. Reflector has a specular clear finish.

Perforated mesh frame for trimless installations in drywall ceilings. Removable for special ceiling materials or flanged trim insert.

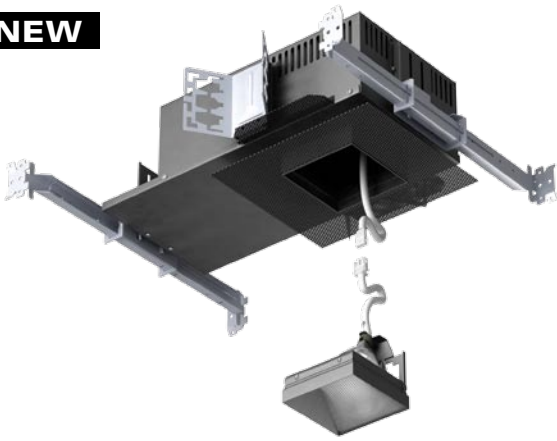
Ceiling compound is applied directly to the edge of the fixture's aperture providing a trimless installation.

RSA's exclusive "Clear-Spred" linear spread lens provides even illumination on vertical surfaces and enhances the spread of the lamp beam.

STEALTH - 1 LIGHT WALL WASH FIXTURE - 12V MR16

STEALTH - 1 LIGHT WALL WASH FIXTURE - 12V MR16

NEW



Trimless Wallwash
One 4" sq. Insert
 Linear Spread Lens
 1" regress



STEALTH - WALL WASH MR16 - 1 Light Fixture

Item

STWN-116 (1) One Light 12V MR16 Recessed Fixture

Wattage

20 20 Watt 12V MR16
37 37 Watt 12V MR16
42 42 Watt 12V MR16
50 50 Watt 12V MR16
71 71 Watt 12V MR16

Trim Insert Finish

WH White
BK Black
PT Custom Color (Specify)

Voltage

120 120V (Standard)
277 277V

Transformer

ELC Electronic
MAG Magnetic
TRC Toroidal w/ choke
RMT Remote (no transformer)

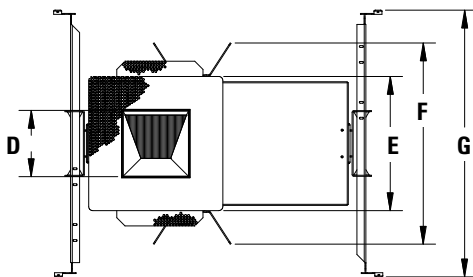
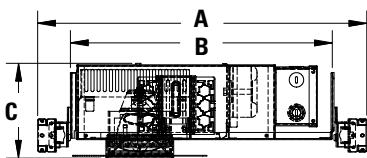
Accessories

— Specify

Ordering Example

STWN-116-50-BK-120-ELC

1 Light Stealth Wall Wash Fixture, 50W MR16 lamps, Black trim insert, 120V, Electronic transformer



Ceiling Cut-Out - 4.20" x 4.20"

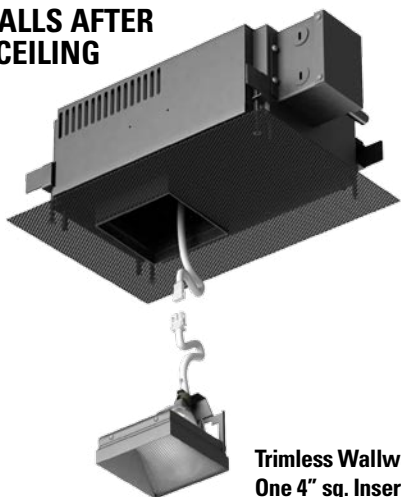
DIMENSIONS

A	B	C	D	E
20.05"	15.95"	5.78"	4.04" sq.	8.17"
F	G			
12.25"	26.50" - 16.25"			

Features

- For use in drywall (up to 1" thick) and non-drywall ceiling (up to 1.13" thick) installations such as wood or marble.
- Next generation trimless installation provides direct aperture to ceiling transition.
- Includes mesh plaster frame for trimless installation and direct fastening through drywall to metal or wood studs or frame. May be discarded for special ceiling.
- Architectural DIE CAST regressed trim is easily removed for maintenance and provides excellent cut-off.
- Fixed lamps with integral reflective "kicker" plates and linear spread lens provides high-performance and even illumination on vertical surfaces. Lamp sockets are mounted to the trim insert with quick-connect socket leads.
- Configured with a choice of electronic, magnetic or toroidal low voltage transformers or for remote power supply.
- Electrical J-Box and transformers easily accessed through the aperture.
- Includes butterfly brackets for commercial installations and hanger bars for residential installations.

**INSTALLS AFTER
THE CEILING**



Trimless Wallwash
One 4" sq. Insert
Linear Spread Lens
1" regress

NEW

STEALTH - WALL WASH REMODEL MR16 - 1 Light

Item #
STWR-116 (1) One Light 12V MR16 Recessed Fixture

Wattage
20 20 Watt 12V MR16
37 37 Watt 12V MR16
42 42 Watt 12V MR16
50 50 Watt 12V MR16
71 71 Watt 12V MR16

Trim Insert Finish
WH White
BK Black
PT Custom Color (Specify)

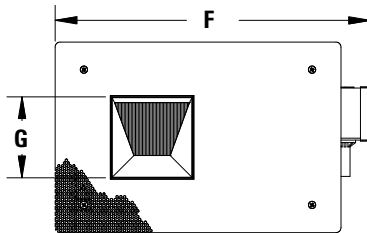
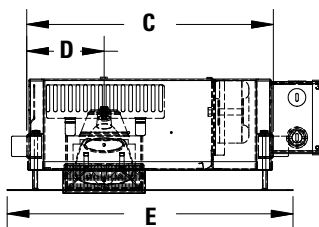
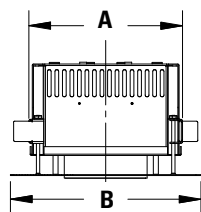
Voltage
120 120V (Standard)
277 277V

Transformer
ELC Electronic
MAG Magnetic
TRC Toroidal w/ choke
RMT Remote (no transformer)

Accessories
 — Specify

Ordering Example

STWR-116-50-BK-120-ELC
 1 Light Stealth Wall Wash Remodel Fixture, 50W MR16 lamps, Black trim insert, 120V, Electronic transformer



Ceiling Cut-Out - 12.38" x 7.75"

DIMENSIONS				
A	B	C	D	E
7.75"	9.50"	12.38"	3.88"	14.25"
F	G			
15.72"	4.04" sq.			

Features

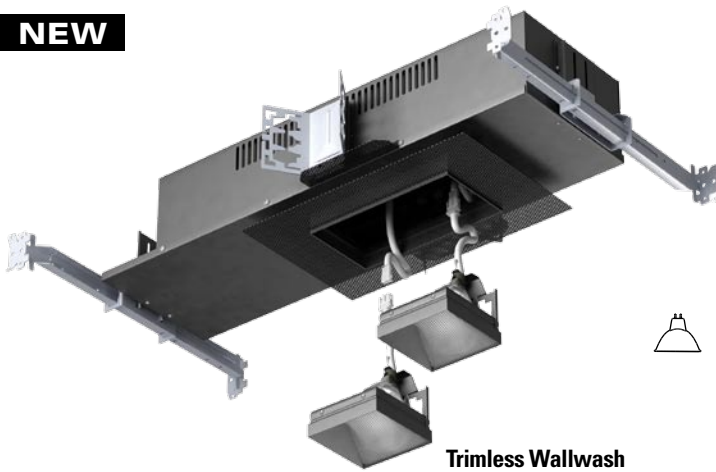
- For remodel installation in drywall.
- Next generation trimless installation provides direct aperture to ceiling transition.
- Includes mesh plaster frame for trimless installation and direct fastening through drywall to metal or wood studs or frame. Heavy duty swing-out clips are adjustable for various ceiling thickness up to 1.5".
- Architectural DIE CAST regressed trim is easily removed for maintenance and provides excellent cut-off.
- Fixed lamps with integral reflective "kicker" plates and linear spread lens provides high-performance and even illumination on vertical surfaces. Lamp sockets are mounted to the trim insert with quick-connect socket leads.
- Configured with a choice of electronic, magnetic or toroidal low voltage transformers or for remote power supply.
- Electrical J-Box and transformers easily accessed through the aperture.



STEALTH - 2 LIGHT WALL WASH FIXTURE - 12V MR16

STEALTH - 2 LIGHT WALL WASH FIXTURE - 12V MR16

NEW



Trimless Wallwash
Two 4" sq. Inserts
Linear Spread Lens
1" regress



STEALTH - WALL WASH MR16 - 2 Light Fixture

Item # _____

STWN-216 (2) Two Light 12V MR16 Recessed Fixture

Wattage

20	20 Watt 12V MR16
37	37 Watt 12V MR16
42	42 Watt 12V MR16
50	50 Watt 12V MR16
71	71 Watt 12V MR16

Trim Insert Finish

WH	White
BK	Black
PT	Custom Color (Specify)

Voltage

120	120V (Standard)
277	277V

Transformer

ELC	Electronic
MAG	Magnetic
TRC	Toroidal w/ choke
RMT	Remote (no transformer)

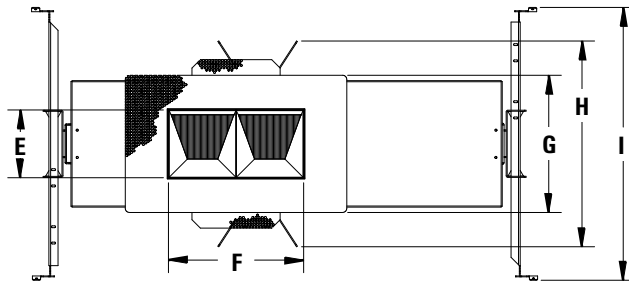
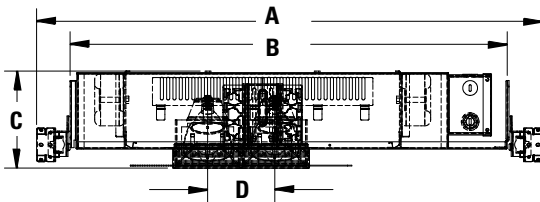
Accessories

_____ Specify

Ordering Example

STWN-216-50-BK-120-ELC

2 Light Stealth Wall Wash Fixture, 50W MR16 lamps, Black trim insert, 120V, Electronic transformer



Ceiling Cut-Out - 8.45" x 4.20"

DIMENSIONS

A	B	C	D	E
30.13"	26.03"	5.78"	4.00"	4.04"
F	G	H	I	
8.05"	8.17"	12.25"	16.25 - 26.50"	

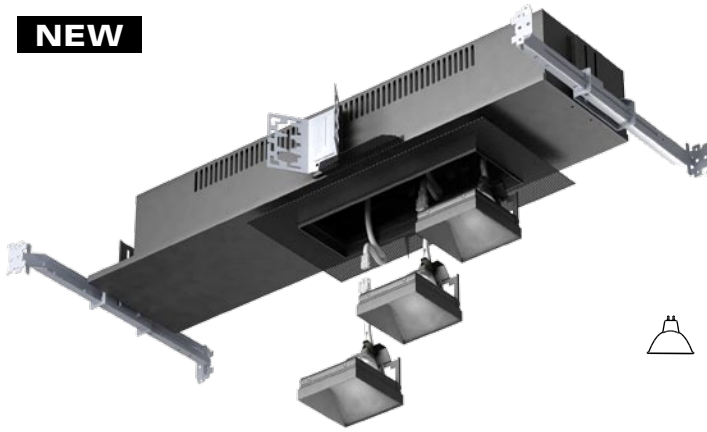
Features

- For use in drywall (up to 1" thick) and non-drywall ceiling (up to 1.13" thick) installations such as wood or marble.
- Next generation trimless installation provides direct aperture to ceiling transition.
- Includes mesh plaster frame for trimless installation and direct fastening through drywall to metal or wood studs or frame. May be discarded for special ceiling.
- Architectural DIE CAST regressed trim is easily removed for maintenance and provides excellent cut-off.
- Fixed lamps with integral reflective "kicker" plates and linear spread lenses provide high-performance and even illumination on vertical surfaces. Lamps are mounted to the trim insert with quick-connect socket leads.
- Configured with a choice of electronic, magnetic or toroidal low voltage transformers or for remote power supply.
- Electrical J-Box and transformers easily accessed through the aperture.
- Includes butterfly brackets for commercial installations and hanger bars for residential installations.

STEALTH - 3 LIGHT WALL WASH FIXTURE - 12V MR16

STEALTH - 3 LIGHT WALL WASH FIXTURE - 12V MR16

NEW



Trimless Wallwash
Three 4" sq. Insert
Linear Spread Lens
1" regress



STEALTH - WALL WASH MR16 - 3 Light Fixture

Item

STWN-316 (3) Three Light 12V MR16 Recessed Fixture

Wattage

20 20 Watt 12V MR16
37 37 Watt 12V MR16
42 42 Watt 12V MR16
50 50 Watt 12V MR16
71 71 Watt 12V MR16

Trim Insert Finish

WH White
BK Black
PT Custom Color (Specify)

Voltage

120 120V (Standard)
277 277V

Transformer

ELC Electronic
MAG Magnetic
TRC Toroidal w/ choke
RMT Remote (no transformer)

Accessories

— Specify

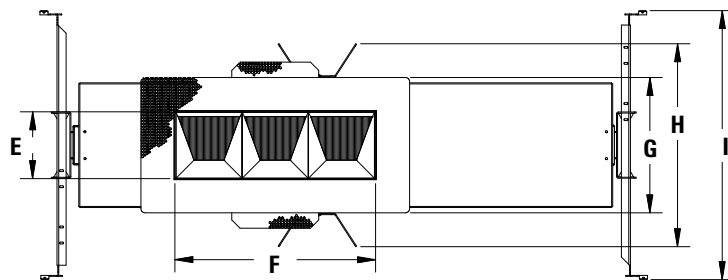
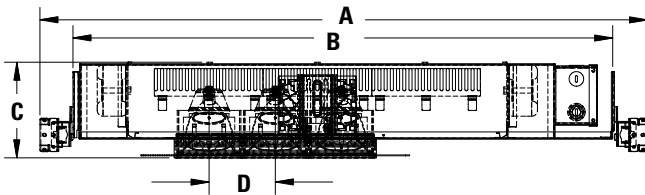
Ordering Example

STWN-316-50-BK-120-ELC

3 Light Stealth Wall Wash Fixture, 50W MR16 lamps, Black trim insert, 120V, Electronic transformer

Features

- For use in drywall (up to 1" thick) and non-drywall ceiling (up to 1.13" thick) installations such as wood or marble.
- Next generation trimless installation provides direct aperture to ceiling transition.
- Includes mesh plaster frame for trimless installation and direct fastening through drywall to metal or wood studs or frame. May be discarded for special ceiling.
- Architectural DIE CAST regressed trim is easily removed for maintenance and provides excellent cut-off.
- Fixed lamps with integral reflective "kicker" plates and linear spread lens provides high-performance and even illumination on vertical surfaces. Lamp sockets are mounted to the trim insert with quick-connect socket leads.
- Configured with a choice of electronic, magnetic or toroidal low voltage transformers or for remote power supply.
- Electrical J-Box and transformers easily accessed through the aperture.
- Includes butterfly brackets for commercial installations and hanger bars for residential installations.



Ceiling Cut-Out - 12.30" x 4.20"

DIMENSIONS				
A	B	C	D	E
36.69"	32.59"	5.78"	4.00"	4.04"
F	G	H	I	
12.12"	8.17"	12.25"	16.25 - 26.50"	

