

# MICROGEM - DIE CAST low voltage recessed lighting



## Trims and Housings for New Construction, I.C. or Remodel

Microgem™ is RSA's most comprehensive recessed product offering. With a wide variety of trim styles from regressed baffles and reflectors to adjustable pulldown wall washers and U.L. listed showerlights, Microgem can meet any recessed lighting design need.

The miniature size of Microgem (trim diameter of only 4.313") helps make it one of the most sought after lighting products of its kind.

Microgem recessed fixtures are low voltage and are accompanied by a wide selection of recessed housing choices. The newest addition to the family of housings is the shallow I.C. can which boasts a 5.5" above ceiling height.

All Microgem products are U.L. listed and contractor friendly. Trims have a 0.75" flange so that there is room for adjustment after the ceiling cut-out is made.



MICROGEM





**GLASS DOME SHOWERLIGHT**

Die Cast Shower Light Trim w/ Dome Glass for Wet Location  
Halogen GY6.35 12 volts 50 watts max.

Item # \_\_\_\_\_

**MLV2033** White Trim w/ Dome Frosted Dome Glass Lens

- Internal clear anodized reflector
- Internal silicone gasket



**REGRESSED REFLECTOR SHOWERLIGHT**

Die Cast Shower Light Trim w/ Reflector for Wet Location  
Halogen MR16 12 volts 50 watts max.

Item # \_\_\_\_\_

**MLV2037** White Trim w/ Clear Reflector (shown)

**MLV2038** White Trim w/ Black Reflector

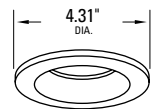
**MLV2039** White Trim w/ White Reflector

**MLV2043** Chrome Trim w/ Clear Reflector

**MLV2044** Chrome Trim w/ Black Reflector

**MLV2045** Chrome Trim w/ White Reflector

- Internal clear anodized reflector
- Internal silicone gasket



**FLAT GLASS SHOWERLIGHT**

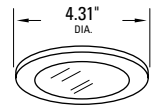
Die Cast Shower Light Trim w/ Flat Glass for Wet Location  
Halogen GY6.35 12 volts 50 watts max.

Item # \_\_\_\_\_

**MLV2049** White Trim w/ Clear Reflector (shown)

**MLV2051** Chrome Trim w/ Clear Reflector

- Clear or frosted glass lens (specify)
- Internal silicone gasket



**ROUND GLASS TRIM**

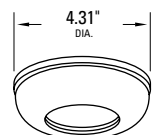
Die Cast Trim w/ Round Glass Accent  
Halogen MR16 12 volts 71 watts max.

Item # \_\_\_\_\_

**MLV3041** White Trim w/ Frosted Glass (shown)

**MLV3042** White Trim w/ Blue Glass

- Can accept up to two (2) optical accessories





**GLASS COLLAR TRIM**

Die Cast Trim w/ Frosted Glass Collar

Halogen MR16 12 volts 71 watts max.

Item #

**MLV3080** White Trim w/ Frosted Glass Collar

- Can accept up to two (2) optical accessories



**CROSSBLADE LOUVER TRIM**

Die Cast Trim w/ Specular Silver Crossblade Louver

Halogen MR16 12 volts 71 watts max.

Item #

**MLV3046** White Trim w/ Crossblade Louver

- Can accept up to two (2) optical accessories



**REGRESSED BAFFLE TRIM**

Die Cast Trim w/ Regressed Baffle 35° Adjustability

Halogen MR16 12 volts 71 watts max.

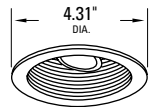
Item #

**MLV3049** White Trim w/ Black Baffle (shown)

**MLV3052** Black Trim w/ Black Baffle

**MLV3053** White Trim w/ White Baffle

- 35° Adjustability
- Can accept up to two (2) optical accessories



**REGRESSED REFLECTOR TRIM**

Die Cast Trim w/ Regressed Reflector 35° Adjustability

Halogen MR16 12 volts 71 watts max.

Item #

**MLV3055** White Trim w/ Clear Reflector (shown)

**MLV3057** White Trim w/ Black Reflector

**MLV3061** Chrome Trim w/ Clear Reflector

- 35° Adjustability
- Can accept up to two (2) optical accessories





**SLOT APERTURE TRIM**

Die Cast Slot Aperture Trim - 50° Adjustability

Halogen MR16 12 volts 71 watts max.

Item #

- MLV3064** White Trim
- MLV3066** Black Trim
- MLV3067** Industrial Silver Trim

- 50° Adjustability
- Can accept up to two (2) optical accessories



**PINHOLE TRIM**

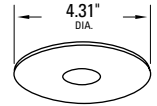
Die Cast Pinhole Trim - 2" Aperture - 15° Adjustability\*

Halogen MR16 12 volts 71 watts max.

Item #

- MLV3068** White Trim w/ Black Baffle\*
- MLV3069** Industrial Silver Trim w/ Black Baffle\*
- MLV3090** White Trim w/ Black Reflector (non-adjustable)
- MLV3091** Industrial Silver Trim w/ Black Reflector (non-adjustable)
- MLV3092** White Trim w/ Clear Reflector (non-adjustable)
- MLV3093** Industrial Silver Trim w/ Clear Reflector (non-adjustable)

- 15° Adjustability\*
- Can accept up to two (2) optical accessories



**ADJUSTABLE EYEBALL TRIM**

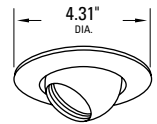
Die Cast Eyeball Trim w/ Black Baffle - 45° Adjustability

Halogen MR16 12 volts 71 watts max.

Item #

- MLV3070** White Trim w/ Black Baffle
- MLV3072** Black Trim w/ Black Baffle
- MLV3073** Industrial Silver Trim w/ Black Baffle (shown)

- 45° Adjustability
- Can accept up to two (2) optical accessories



**ADJUSTABLE WALL WASH TRIM**

Die Cast Trim Wall Wash Trim w/ Black Baffle - 35° Adjustability

Halogen MR16 12 volts 71 watts max.

Item #

- MLV3074** White Trim w/ Black Baffle
- MLV3076** Black Trim w/ Black Baffle
- MLV3077** Industrial Silver Trim w/ Black Baffle (shown)

- 35° Adjustability
- Can accept up to two (2) optical accessories





**ADJUSTABLE CONICAL WALL ACCENT**

Die Cast Conical Wall Accent Trim - 358° x 85° Adjustability  
Halogen MR16 12 volts 71 watts max.

Item #

- MLV3084** White Trim (shown)
- MLV3086** Black Trim
- MLV3087** Industrial Silver Trim

- Lamp holder can rotate 358° and tilt 85°
- Can accept one (1) optical accessory



**ADJUSTABLE WALL ACCENT TRIM**

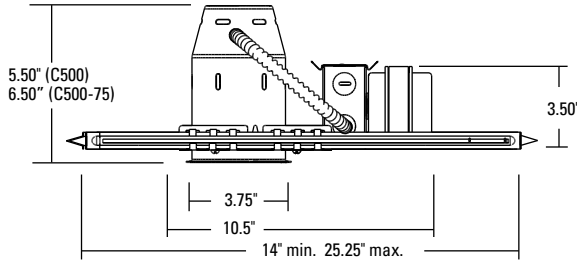
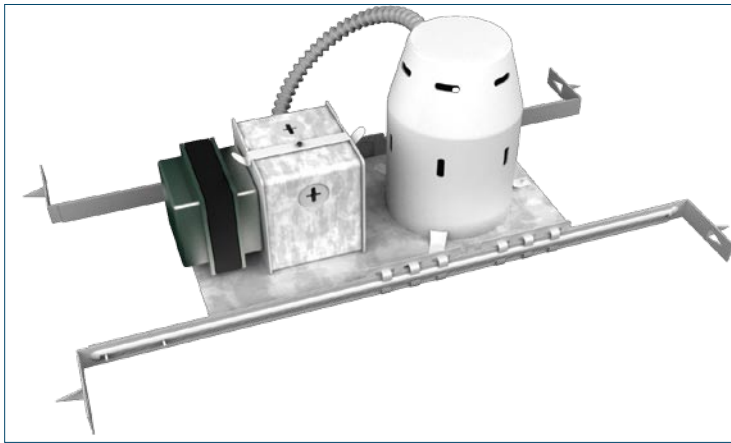
Die Cast Wall Accent Trim - 358° x 70° Adjustability  
Halogen MR16 12 volts 71 watts max.

Item #

- MLV3801** White Trim (shown)
- MLV3802** Black Trim
- MLV3803** Industrial Silver Trim

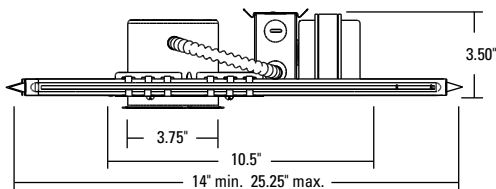
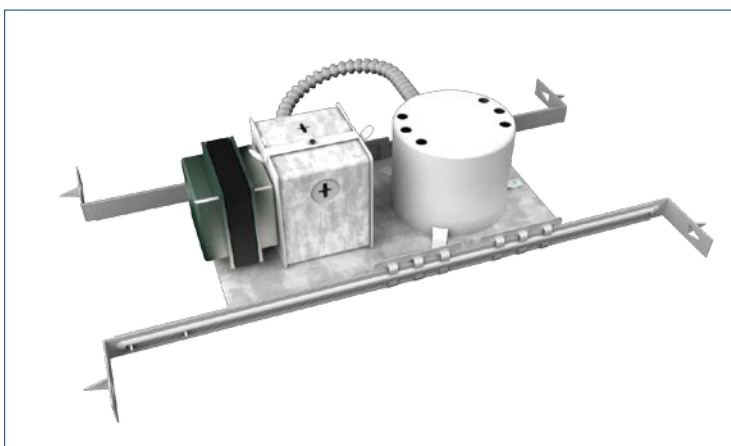
- Lamp holder can rotate 358° and tilt 70°
- Can accept one (1) optical accessory





OVER ALL WIDTH: 5.75", ABOVE CEILING CLEARANCE: 5.00" (C500) / 6.00" (C500-75)  
CEILING CUT-OUT: 3.75"

**NEW ENLARGED JUNCTION BOX PROVIDES EASIER INSTALLATION AND ACCOMMODATES 5 #12 SUPPLY WIRE IN/OUT**  
**J-BOX SIZE: 3.00"W x 3.25"H x 2.55"D**



OVER ALL WIDTH: 5.75", ABOVE CEILING CLEARANCE: 3.50"  
CEILING CUT-OUT: 3.75"

**NEW ENLARGED JUNCTION BOX PROVIDES EASIER INSTALLATION AND ACCOMMODATES 5 #12 SUPPLY WIRE IN/OUT**  
**J-BOX SIZE: 3.00"W x 3.25"H x 2.55"D**

## NEW CONSTRUCTION HOUSING

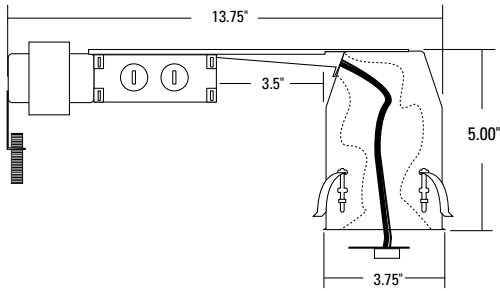
Item #	
<b>C500</b>	New Construction - Mag. Xfmr. - 50W max.
<b>C500-EL</b>	New Construction - Elec. Xfmr. - 50W max.
<b>C500-75</b>	New Construction - Mag. Xfmr. - 71W max.
<b>C500-75-EL</b>	New Construction - Elec. Xfmr. - 71W max.
Voltage	
<b>120</b>	120V (Standard)
<b>277</b>	277V

- Housing adjusts 1.5" vertically in plaster frame to accommodate various ceiling thicknesses.
- Integral magnetic or electronic transformer accessible through the ceiling opening.
- Transformers have thermal protection and operate at 11.5 volts nominal. Vent holes on the 75W housing provide cooler operation.
- Primary leads: 120 volts.
- Transformer rated 180° Class H.
- Socket is pre-wired to the j-box with 18AWG SF-1 leads.
- J-box U.L. listed for through branch wiring for 5 #12 90°C SUPPLY WIRES IN/OUT or 60°C supply wires for end of run.
- Access above ceiling not required.
- Includes two sets of adjustable 16 ga. steel hanger bars.

## SHALLOW NEW CONSTRUCTION HOUSING

Item #	
<b>C500-SH</b>	Shallow New Construction - Mag. Xfmr. - 35W max.
<b>C500-SH-EL</b>	Shallow New Construction - Elec. Xfmr. - 35W max.
Voltage	
<b>120</b>	120V (Standard)
<b>277</b>	277V

- Housing adjusts 1.5" vertically in plaster frame to accommodate various ceiling thicknesses.
- Integral magnetic or electronic transformer accessible through the ceiling opening.
- Transformers have thermal protection and operate at 11.5 volts nominal.
- Primary leads: 120 volts.
- Transformer rated 180° Class H.
- Socket is pre-wired to the j-box with 18AWG SF-1 leads.
- J-box U.L. listed for through branch wiring for 5 #12 90°C SUPPLY WIRES IN/OUT or 60°C supply wires for end of run.
- Access above ceiling not required.
- Includes two sets of adjustable 16 ga. steel hanger bars.

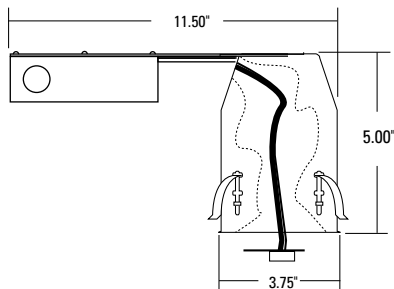


OVER ALL WIDTH: 4.50", ABOVE CEILING CLEARANCE: 4.50"  
CEILING CUT-OUT: 3.75"

**REMODEL HOUSING - MAGNETIC XFMR**

<b>Item #</b>	
<b>C600</b>	Remodel - Mag. Xfmr. - 50W max.
<b>Voltage</b>	
<b>120</b>	120V (Standard)
<b>277</b>	277V

- Housing adjusts 1.5" vertically to accommodate various ceiling thicknesses.
- Integral magnetic transformer accessible through the ceiling opening.
- Mechanical height adjustment for level installation.
- Transformers have thermal protection and operate at 11.5 volts nominal.
- Primary leads: 120 volts.
- Transformer rated 180° Class H.
- Socket is pre-wired to the j-box with 18AWG SF-1 leads.
- J-box U.L. listed for through branch wiring for five #12, 90°C supply wires or 60°C supply wires for end of run.
- Access above ceiling not required.

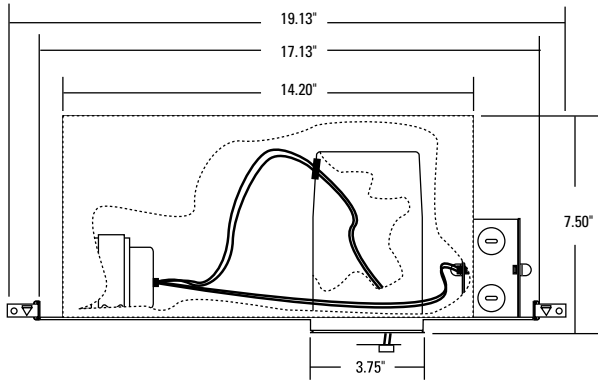
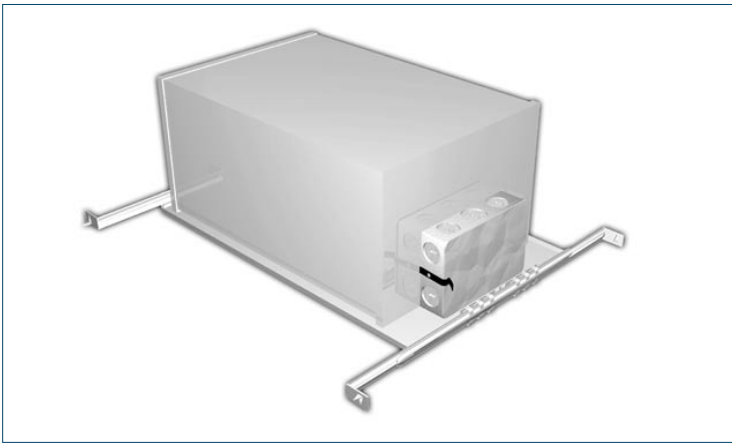


OVER ALL WIDTH: 5.25", ABOVE CEILING CLEARANCE: 4.50"  
CEILING CUT-OUT: 3.75"

**REMODEL HOUSING - ELECTRONIC XFMR**

<b>Item #</b>	
<b>C600 - EL</b>	Remodel - Elec. Xfmr. - 50W max.
<b>Voltage</b>	
<b>120</b>	120V (Standard)
<b>277</b>	277V

- Housing adjusts 1.5" vertically to accommodate various ceiling thicknesses.
- Integral electronic transformer accessible through the ceiling opening.
- Transformers have thermal protection and operate at 11.5 volts nominal.
- Primary leads: 120 volts.
- Transformer rated 180° Class H.
- Socket is pre-wired to the j-box with 18AWG SF-1 leads.
- J-box U.L. listed for through branch wiring for five #12, 90°C supply wires or 60°C supply wires for end of run.
- Access above ceiling not required.



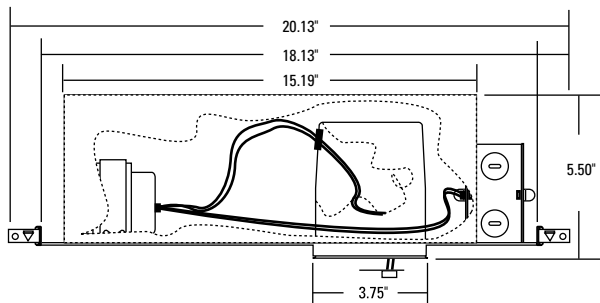
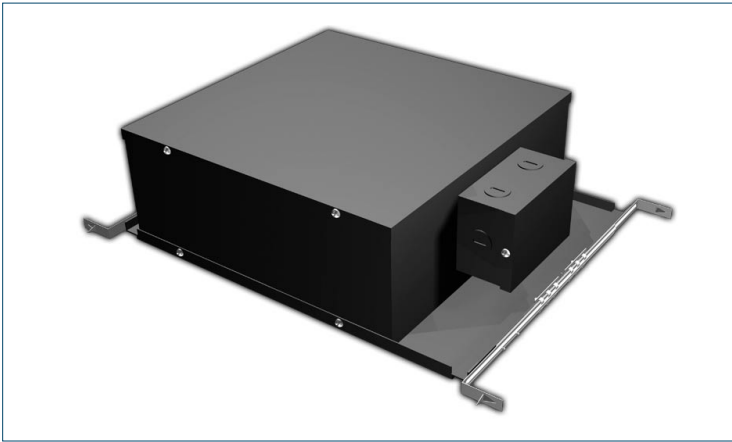
OVER ALL WIDTH: 10.75", ABOVE CEILING CLEARANCE: 7.13"  
CEILING CUT-OUT: 3.75"

**INSULATED CEILING HOUSING**

Item #  
**C700** I.C. Insulated Ceiling - Mag. Xfmr. - 50W max.

Voltage  
**120** 120V (Standard)

- Housing adjusts 1.5" vertically in plaster frame to accommodate various ceiling thicknesses.
- Integral magnetic transformer accessible through the ceiling opening.
- Transformers have thermal protection and operate at 11.5 volts nominal.
- Primary leads: 120 volts.
- Transformer rated 180° Class H.
- Socket is pre-wired to the j-box with 18AWG SF-1 leads.
- J-box U.L. listed for through branch wiring for four #12, 90°C supply wires or 60°C supply wires for end of run.
- Access above ceiling not required.
- Includes two sets of adjustable 16 ga. steel hanger bars.
- **STATE OF WASHINGTON AIR TIGHT APPROVED.**



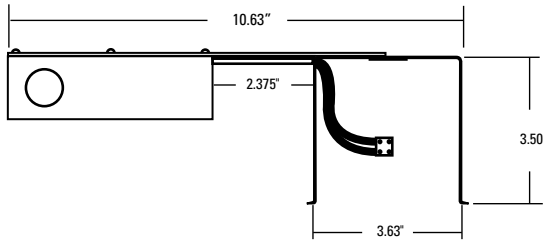
OVER ALL WIDTH: 14.13", ABOVE CEILING CLEARANCE: 5.00"  
CEILING CUT-OUT: 3.75"

**SHALLOW INSULATED CEILING HOUSING**

Item #  
**C900** Shallow I.C. Insulated Ceiling - Mag. Xfmr. - 50W max.

Voltage  
**120** 120V (Standard)  
**277** 277V

- All aluminum construction.
- Housing adjusts 1.5" vertically in plaster frame to accommodate various ceiling thicknesses.
- Integral magnetic transformer accessible through the ceiling opening.
- Transformers have thermal protection and operate at 11.5 volts nominal.
- Primary leads: 120 volts.
- Transformer rated 180° Class H.
- Socket is pre-wired to the j-box with 18AWG SF-1 leads.
- J-box U.L. listed for through branch wiring for four #12, 90°C supply wires or 60°C supply wires for end of run.
- Access above ceiling not required.
- Includes two sets of adjustable 16 ga. steel hanger bars.
- **STATE OF WASHINGTON AIR TIGHT APPROVED.**

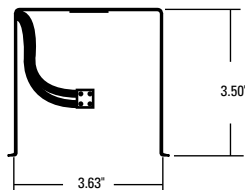


OVER ALL WIDTH (including mounting clips): 5.25", ABOVE CEILING CLEARANCE: 3.00"  
CEILING CUT-OUT: 3.75"

**SHALLOW REMODEL HOUSING - ELECTRONIC**

Item #	
<b>C800</b>	Shallow Remodel - Elec. Xfmr. - 35W max.
<b>Voltage</b>	
<b>120</b>	120V (Standard)
<b>277</b>	277V

- Housing adjusts 1.5" vertically to accommodate various ceiling thicknesses.
- Integral electronic transformer accessible through the ceiling opening.
- Transformers have thermal protection and operate at 11.5 volts nominal.
- Primary leads: 120 volts.
- Transformer rated 180° Class H.
- Socket is pre-wired to the j-box with 18AWG SF-1 leads.
- Access above ceiling not required.



OVER ALL WIDTH (including mounting clips): 5.25", ABOVE CEILING CLEARANCE: 3.00"  
CEILING CUT-OUT: 3.75"

**SHALLOW REMODEL HOUSING - REMOTE**

Item #	
<b>SH2A</b>	Shallow Remodel - for Remote power supply 35W max.

- Housing adjusts 1.5" vertically to accommodate various ceiling thicknesses.
- Socket is 18AWG SF-1 leads.

***THIS HOUSING IS NOT U.L. LISTED. CONTRACTOR MUST FOLLOW N.E.C. CODE FOR CLASS 2 WIRING.***

See page 101, 160-162 for remote transformers.