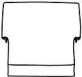



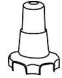



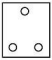






MODEL : B616

(1)x1	(2)x1	(3)x1 (L)x1 (R)
		
TU616-B Back Cushion	TU616-S Seat Cushion	TU616-LARM/Left Arm TU616-RARM/Right Arm
(4)x1	(5)x1	(6)x1
		
TU026 Gas Lift	TU026-CR Gas Lift Cover	TU001 Mechanism
(7)x 1	(8)x1	(9)x2
		
TU030 & TU015-W/Wood Base & Casters	TU619-CB / Connecting Bar	
Hardware comes pre-screwed into slots (A)x6  M6x22 (B)x4  M6x36 (D)x1  (C)x4  N8x22		

It is important to assemble all parts so that the directional "Arrows" point in the same direction. Make certain that all screws are FULLY tightened before using the chair. For optimum use, maintenance for the chair is required. Every month, please check all screws and tighten any that may have loosened.

For further assembly instructions,
 please visit our web site at
www.bosschair.com

Customer Service Hotline: 1-800-593-1888

