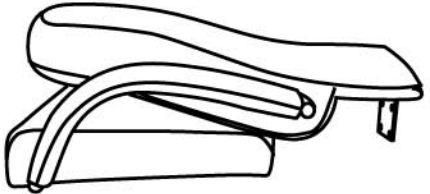

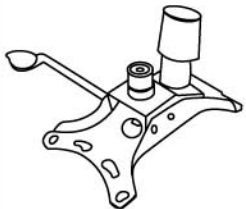
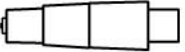

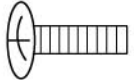
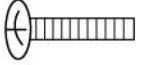
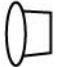

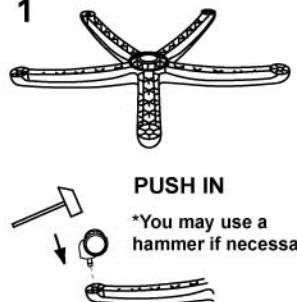


MODEL : B7401 7406
EQ850 845

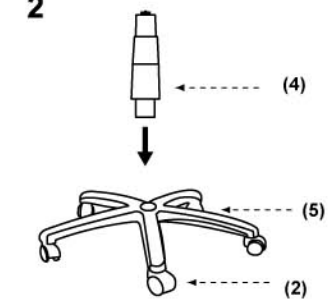
(1)x1		(2)x5
		
Back & Seat W/ ARMS		Caster
(3)x1	(4)x1	(5)x1
		
Mechanism	Gas Lift W/ Cover	5-Star Base
Customer Service Hotline: 1-800-593-1888		
Please unscrew all screws from the bottom of seat cushion before assembly.		
(A)*4PCS		M8 * 22
(B)*4PCS		M6 * 30
(C)*4PCS		ARM CAP
(D)*1PC		ALLEN KEY

1



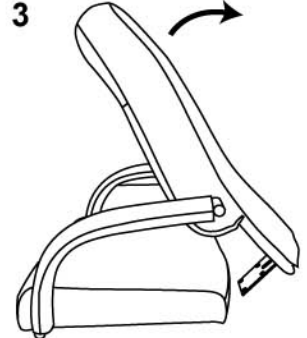
PUSH IN
*You may use a hammer if necessary

2

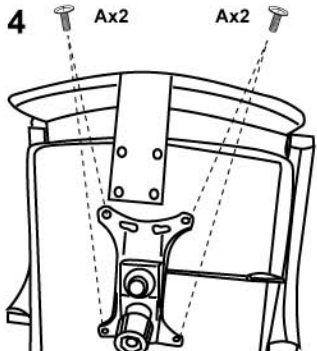


(4)
(5)
(2)

3

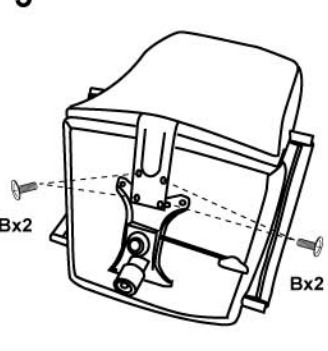


4



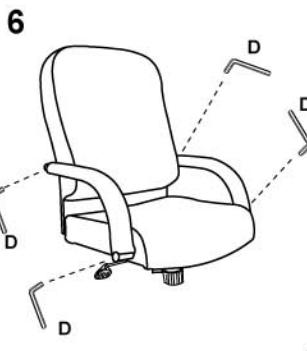
Ax2 Ax2

5



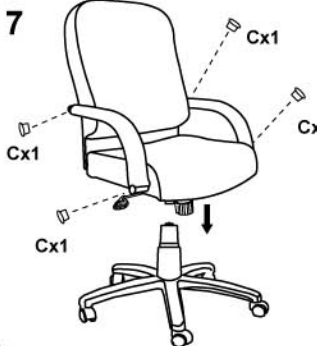
Bx2 Bx2

6



D D D D

7



Cx1 Cx1 Cx1 Cx1

Note: Please tighten all arm screws using allen key before step 7

It is important to assemble all parts so that the directional "Arrows" point in the same direction. Make certain that all screws are FULLY tightened before using the chair. Each month, check all screws and tighten any that may have loosened.

Warning: Do not stand on the seat

**For further assembly instructions,
please visit our web site at
www.bosschair.com**

