
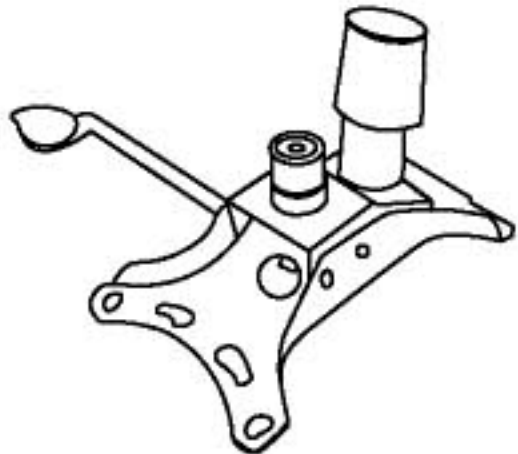

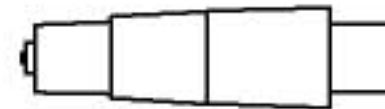




MODEL : B9001 B9006

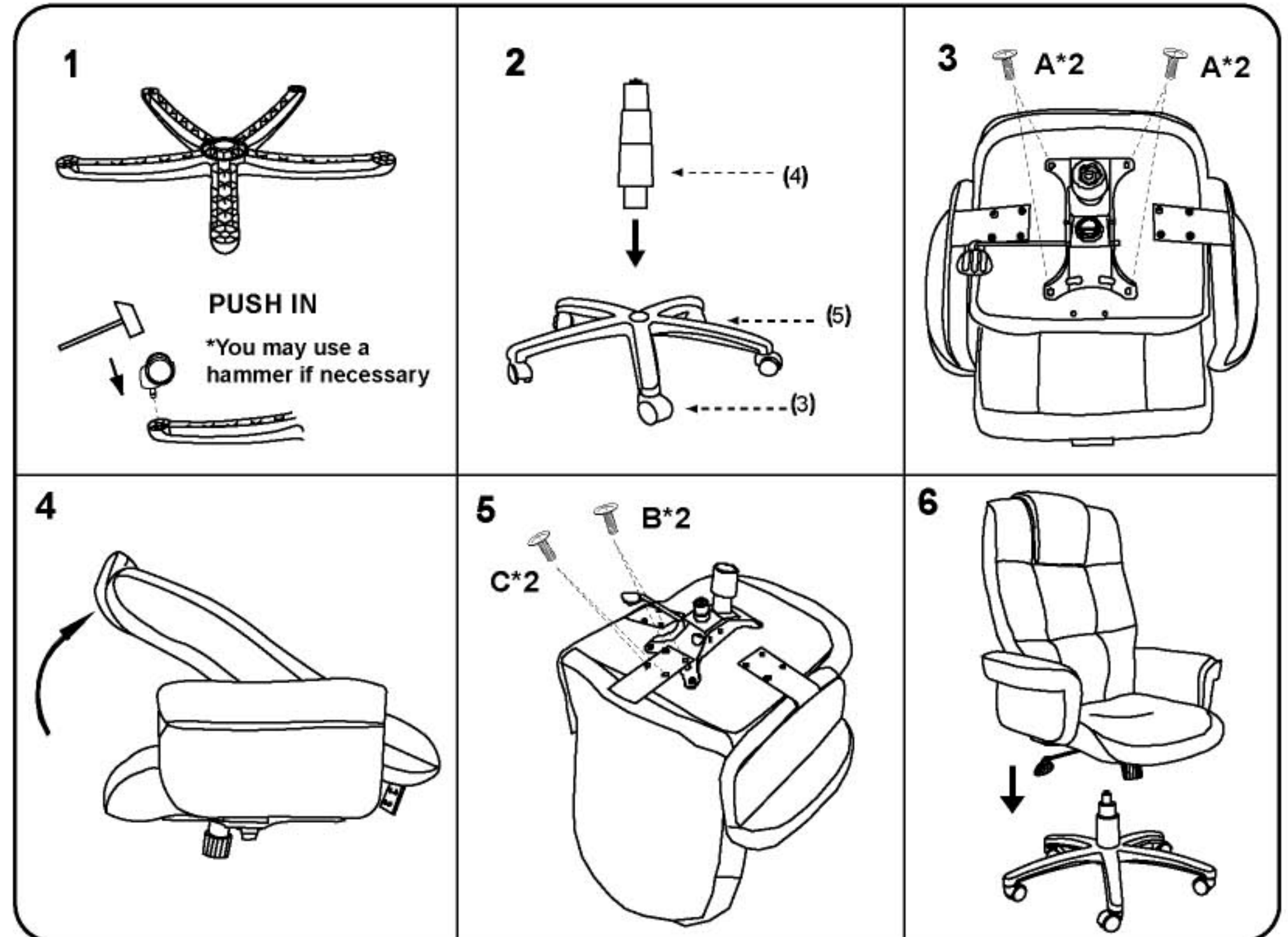
(1)x1		(2)x1
		 Mechanism
(3)x5	(4)x1	(5)x1
 Caster	 Gas Lift W/ Cover	 Base

Customer Service Hotline:

1-800-593-1888

Please unscrew all screws from cushion before assembly.

(A)x4		M8X22	MECHANISM SCREW
(B)x2		M6X30	L-BAR SCREW
(C)x2		M6X22	L-BAR SCREW



It is important to assemble all parts so that the directional "Arrows" point in the same direction. Make certain that all screws are FULLY tightened before using the chair. Each month, check all screws and tighten any that may have loosened.

Warning: Do not stand on the seat for any purposes

For further assembly instructions, please visit our web site at www.bosschair.com



B9001