

RACE®

HAWORTH®



A RACE ahead of its time

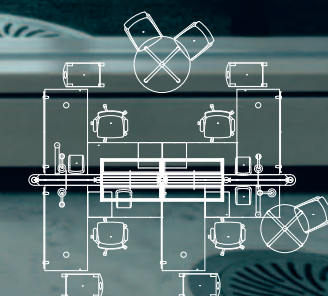
Technology-based. A design icon. RACE is the original off-modular, stackable spine wall. Designed by renowned industrial designer Douglas Ball in 1978, RACE encompasses a timeless design that was — and still is — ahead of its time. RACE is a leader in delivering a distinctive yet classic solution that is highly flexible. The recipient of numerous industry design awards, RACE is an instant focal point in any space.





An unmistakable sense of identity.

Compatible. Adaptable. RACE keeps people in touch. With their work and their identity. RACE provides the visual strength and continuity to express a discernable corporate image. Who you are. Who you want to be.



RACE: Metallic Champagne.
Worksurfaces: Espresso Walnut.
Glass: Reeded Glass.
if® Screen: Custom Lumicor.



Respect for the individual.

Open communication. No barriers. Off-modularity enlightens space planning and accommodates the needs of individual workers. You're free from mirror-image requirements. Open to creative space decisions that can be implemented individually. Incrementally. Or completely.

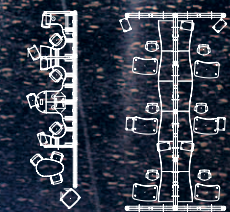


RACE: Standard COM Silver.
Worksurfaces: Chalk with Special translucent edge.
Fabric: Verona Gesso, Highlights Buttercream, Alfalfa and Chinese Red.
if Carts: Chalk with if Silver trim, Mars and Venus.
System 58 Seating: Vogue Black with Chrome trim.



Freedom of movement.

Always forward. RACE organizes space from an elemental, yet versatile perspective. A minimum number of components. The ability to manage footprint and elevation changes without disrupting utilities. Environments can be arranged, changed and reconfigured. Without constraints. Setup is easier. And quicker. No matter what the challenge.



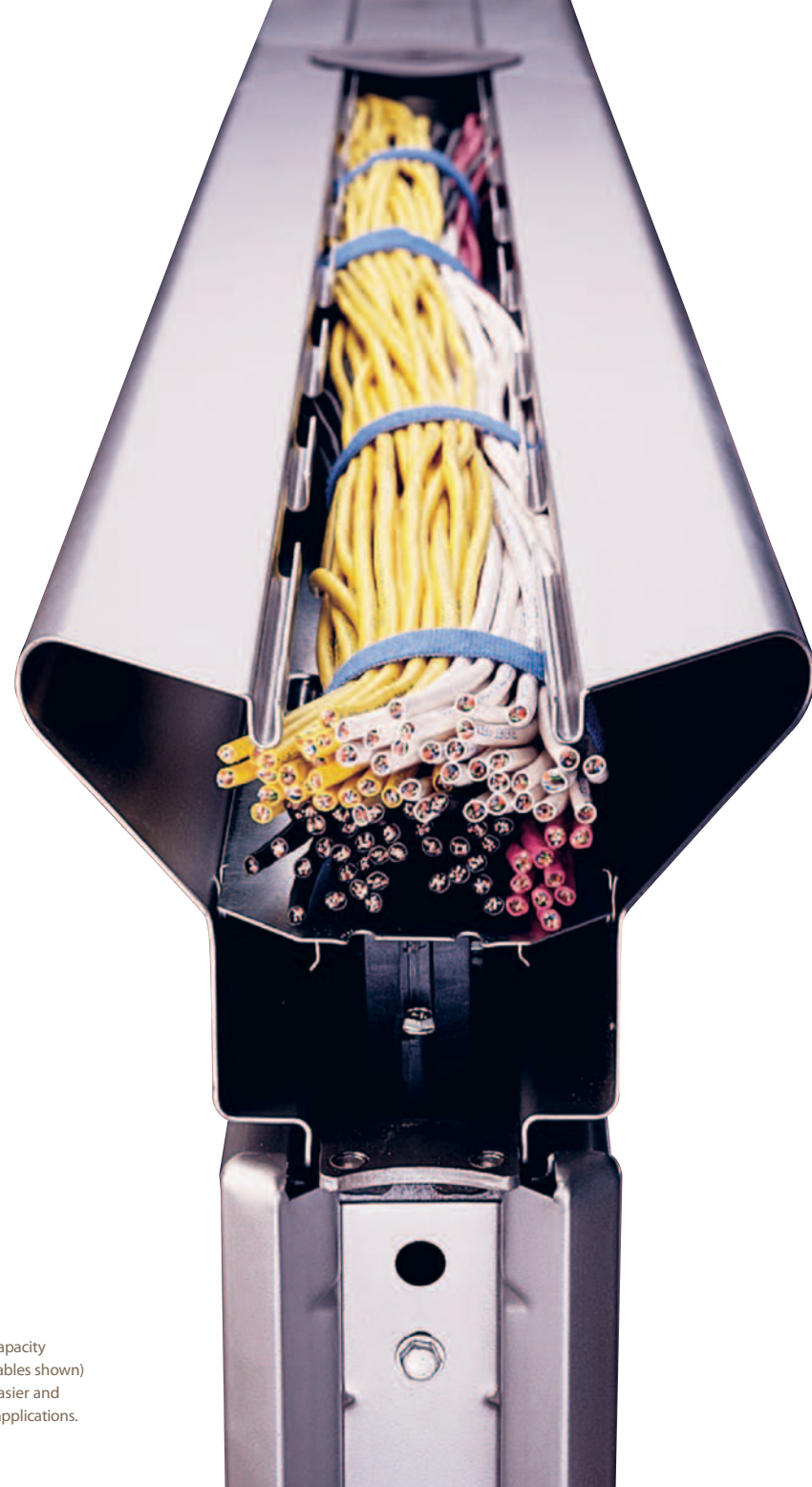
RACE: Standard COM Silver.
Glass: Standard COM English Reeded Glass.
Worksurfaces: Chalk with Special translucent edge.
If Tables: Chalk with Special translucent edge and if Silver trim.
System 58 Seating: Vogue Black with Chrome trim.

Speed technology.

Capacity. Simplicity. Choice. RACE delivers superior technology. Expanded cable capacity turbo charges your space. Choose floor, ceiling or wall in-feeds. Cables lay in quickly and easily through separate chambers in RACE's UL-rated beam. Power up with Haworth's versatile Power Base®. Plug-and-play voice and data. All with complete compatibility.



UL-rated RACE beam conducts hardwired power to meet regional power codes.



RACE's exceptional capacity (over 100 .2 in. dia. cables shown) makes installation easier and supports spine wall applications.



Base power in-feed conceals conduit from floor to main beam.



Ceiling in-feed cable capacity simplifies cable setup and management by reducing the number of required in-feeds.



Power and data can be accessed at multiple worksurface-height connections.

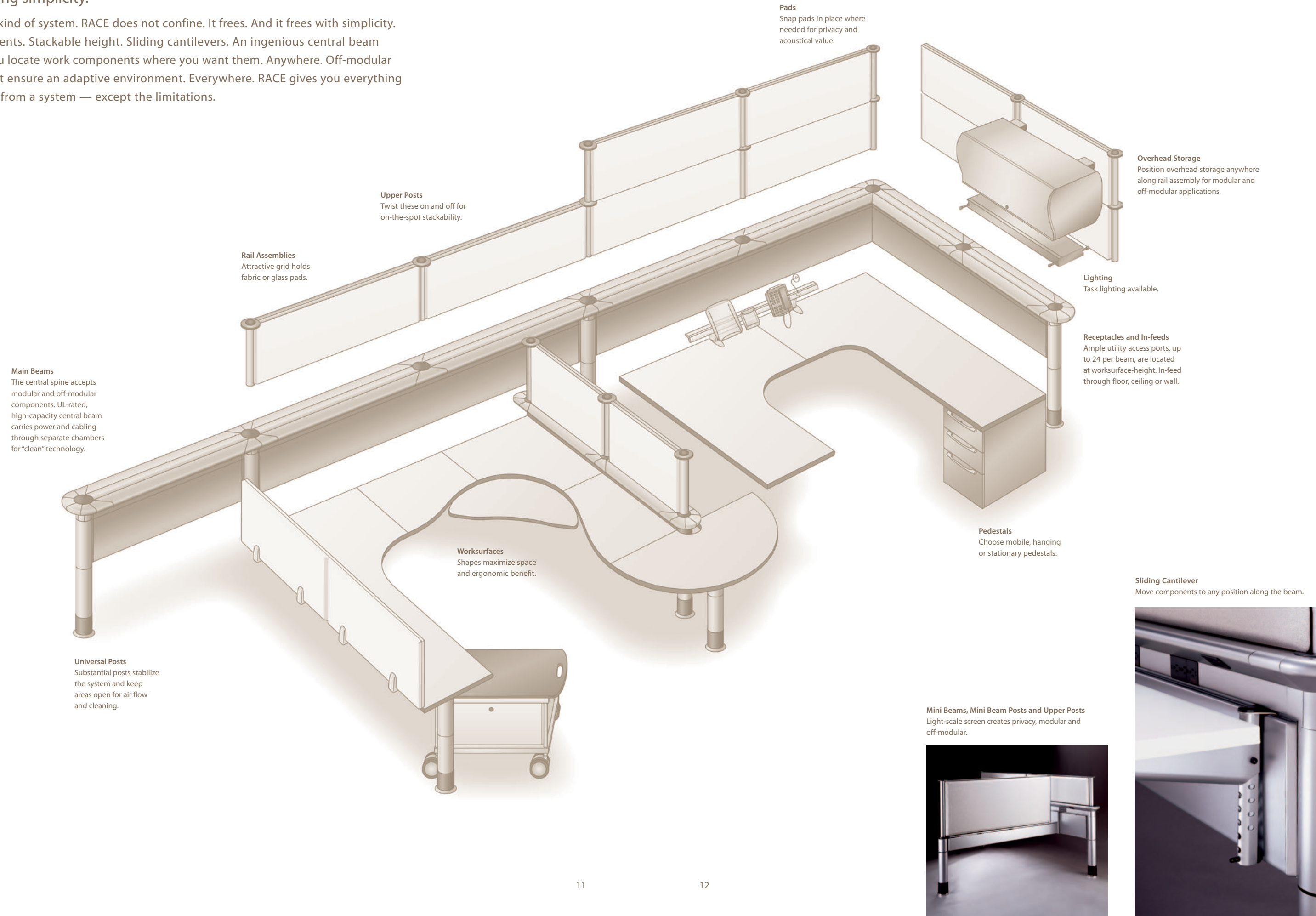
Power that dominates.

Tomorrow. And today. RACE's unsurpassed technology capability lets you take control of your digital world. Move a fax. Add a monitor. No need to re-route utilities. Remarkable capacity, lay in cabling and worksurface-height connections easily and cost effectively expedite change. RACE empowers you.



A refreshing simplicity.

A different kind of system. RACE does not confine. It frees. And it frees with simplicity. 10 components. Stackable height. Sliding cantilevers. An ingenious central beam that lets you locate work components where you want them. Anywhere. Off-modular options that ensure an adaptive environment. Everywhere. RACE gives you everything you expect from a system — except the limitations.



Pads
Snap pads in place where needed for privacy and acoustical value.

Upper Posts
Twist these on and off for on-the-spot stackability.

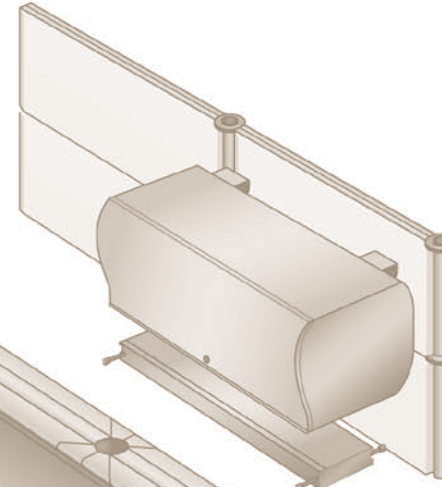
Rail Assemblies
Attractive grid holds fabric or glass pads.

Main Beams
The central spine accepts modular and off-modular components. UL-rated, high-capacity central beam carries power and cabling through separate chambers for "clean" technology.

Worksurfaces
Shapes maximize space and ergonomic benefit.

Universal Posts
Substantial posts stabilize the system and keep areas open for air flow and cleaning.

Mini Beams, Mini Beam Posts and Upper Posts
Light-scale screen creates privacy, modular and off-modular.



Overhead Storage
Position overhead storage anywhere along rail assembly for modular and off-modular applications.

Lighting
Task lighting available.

Receptacles and In-feeds
Ample utility access ports, up to 24 per beam, are located at worksurface-height. In-feed through floor, ceiling or wall.

Pedestals
Choose mobile, hanging or stationary pedestals.

Sliding Cantilever
Move components to any position along the beam.





More choices... better decisions.

RACE is about possibilities... and the environments they create. Your choice of worksurfaces. Overheads with one-touch user convenience. Pedestals. Screens. Personal storage towers that allow for both organization and self expression. Practical support tools, such as Jump® Stuff and Boogie® Board, that work smarter. Work easier. Keep all possibilities open.

RACE and OneTouch® overheads. Both overheads work in off-modular and modular RACE applications.



LIM™. Light in motion. A multi-purpose, multi-task LED light, elegant and refined, and one of the most comprehensive lighting solutions in the market today. Designed by Pablo Pardo, Pablo Design and Ralph Reddig, Haworth Design Studio.

BRAZO®. A user focus controlled task light. With 360-degree head rotation and 90-degree head adjustability, light can be pointed at a work surface without producing spill on a computer monitor; yet with a height adjustment of 14 to 21 inches it's ideal for use above a computer monitor as well.



Jump Stuff. Get more done. Have more fun. Expand your work space with these intuitive work tools.

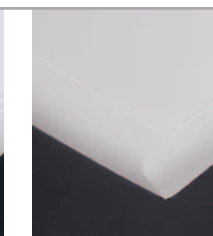


X Series Pedestal

T-mold Edge

Cascade Edge

Wood Bullnose Edge



Perforated Modesty Screen adds closure where it's needed.



If Privacy Screen creates privacy in high-density, spine wall environments. Many sizes and widths available.

HAWORTH®

For more information call 800.344.2600 or 616.393.3000.
Download additional copies at haworth.com.

This brochure is printed on FSC certified U2®:XG™ paper, manufactured with electricity in the form of renewable energy (wind, hydro, biogas) and contains a minimum of 30% post-consumer recovered fiber. FSC is the global benchmark for responsible forest management.



Haworth is a registered trademark of Haworth, Inc.
Printed in USA ©Haworth, Inc. 2010 02.10 Item #0815

haworth.com | haworth-europe.com | haworth-asia.com