

paper softwall



molo design, ltd.

1470 Venables Street
Vancouver, B.C.,
Canada, V5L 2G7

t +1 604 696 2501
f +1 604 685 0342

info@molodesign.com
www.molodesign.com

paper softwall

softwall belongs to molo's innovative and award winning family of expandable / compressible honeycomb structures called soft. softwall, the first production piece in the soft family, was conceived from the desire for flexible and spontaneous space making. To be able to temporarily shape more intimate areas within larger open spaces, giving the space back when needed. Stephanie Forsythe and Todd MacAllen of molo are trained as architects and their studies of flexible space making in architecture have generated this collection of flexible walls, building blocks, seating and lighting called soft.

Opening softwall is a magical tactile experience as the honeycomb expands to create a completely free standing structure, hundreds of times larger than its compressed form. Its versatility becomes immediately apparent, as softwall is resized and rearranged into almost any shape; eradicating the need for more costly partitioning alternatives. softwall, further provides a medium for shaping acoustics as the vertical pleats that run the course of an expanded wall serve to dampen sound.

Made from the humble material of tissue paper, its honeycomb geometric structure lends high strength and resilience. Available in white and black, these colours create completely different atmospheres. White, with its light transmitting properties, brings the delicate tissue paper to life; capturing and containing luminosity. Black, on the other hand, dyed from bamboo charcoal, cloaks the light creating a cocooned environment. paper softwall is also available as stacking paper softwall where shorter softwalls are placed atop one another creating a layered effect.

Recognized for its poetic beauty and pragmatic innovation, molo's products have received numerous international awards and have been acquired into the collections of museums and galleries worldwide including the Museum of Modern Art (MoMA) in New York.

View the full soft collection at www.molodesign.com









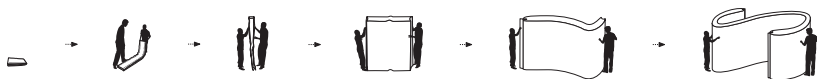


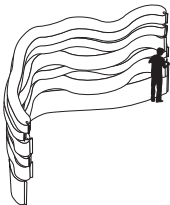
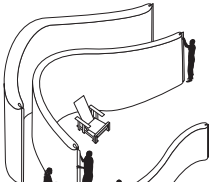







paper softwall types + sizes



product		dimensions height x width	material	colour	product code
stacking paper softwall		305 x 455mm (1' x 18")	paper	white black	SWP-WH-1 SWP-BL-1
		610 x 455mm (2' x 18")	paper	white black	SWP-WH-2 SWP-BL-2
		915 x 455mm (3' x 18")	paper	white black	SWP-WH-3 SWP-BL-3
paper softwall		1220 x 305mm (4' x 12")	paper	white black	SWP-WH-4 SWP-BL-4
custom height paper softwall		up to 3050 x 455mm (10' x 18")	paper	white black	SWP-WH-C SWP-BL-C