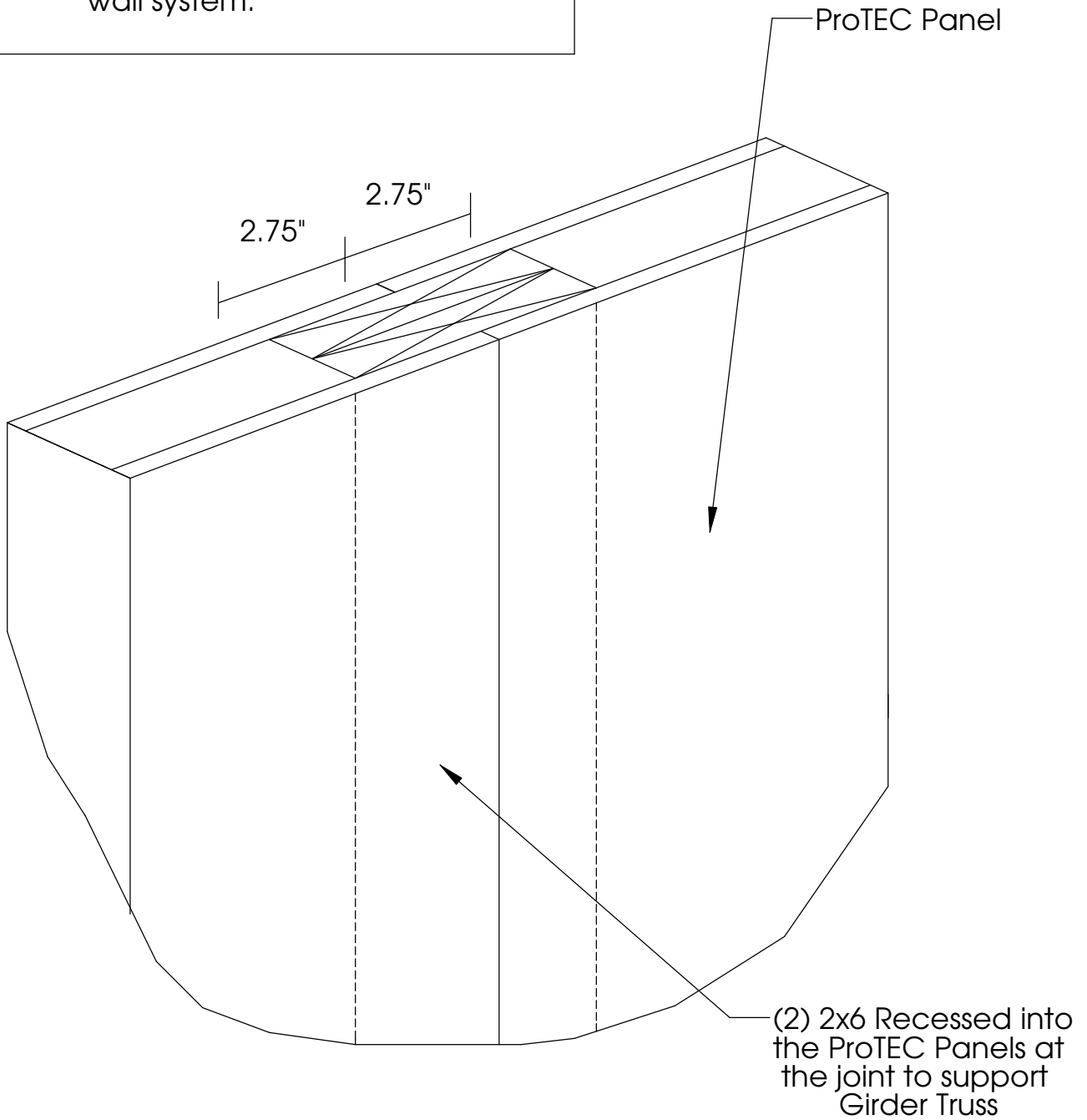


NOTE: This detail will be used where a Girder Truss will rest on the ProTEC wall system.



JTC

TITLE:

2x6 Post Recessed in Panel

ProTEC
CONCRETE STRUCTURAL INSULATED PANEL SYSTEM

REV:

8/17/06

NO:

AK-5