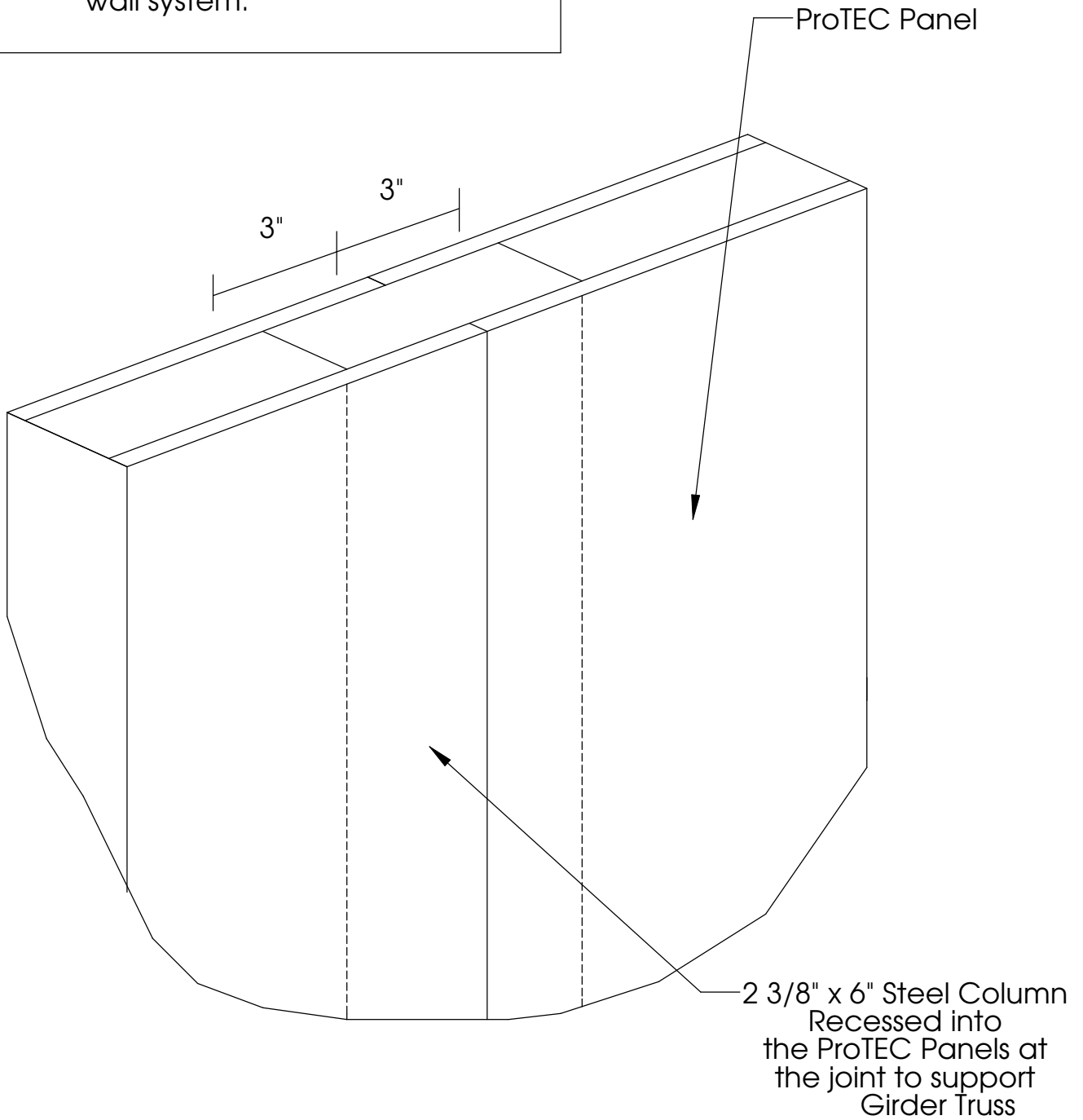


NOTE: This detail will be used where a Girder Truss will rest on the ProTEC wall system.



JTC

TITLE:

2 3/8" x 6" Steel Column
Recessed in Panel

ProTEC
CONCRETE STRUCTURAL INSULATED PANEL SYSTEM

REV:

9/14/09

NO:

SD-6