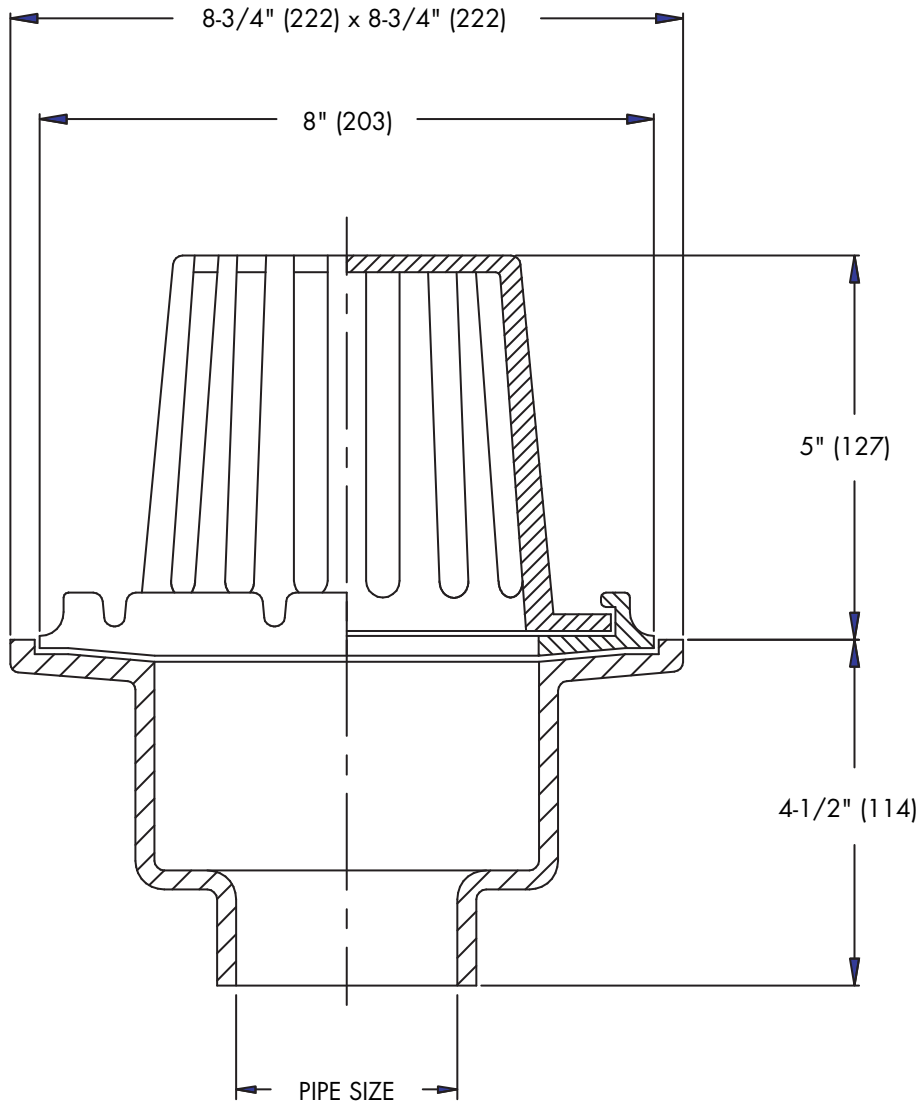




RD-280
Tag: _____

Flanged Cast Iron Roof Drain

SPECIFICATION: Watts Drainage RD-280 cast iron roof drain with deck flange, drain body, flashing clamp with integral gravel guard, self-locking cast iron dome, and no hub outlet.



Pipe Sizing (Select One)	
Suffix	Description
3	3"(76) Pipe Size <input type="checkbox"/>
4	4"(102) Pipe Size <input type="checkbox"/>

Option	
Suffix	Description
-L	Vandal Proof Dome <input type="checkbox"/>
-R	2" External Water Dam <input type="checkbox"/>

**Deck Opening:
8-3/8"(213) Diameter**

Job Name _____ Contractor _____

Job Location _____ Contractor's P.O. No. _____

Engineer _____ Representative _____

WATTS Drainage reserves the right to modify or change product design or construction without prior notice and without incurring any obligation to make similar changes and modifications to products previously or subsequently sold. See your WATTS Drainage representative for any clarification. Dimensions are subject to manufacturing tolerances.



Specification Drainage Products

USA: 100 Watts Road, Spindale, NC, 28160-2298; TEL: 828-288-2179 TOLL-FREE: 1-800-338-2581 www.watts.com