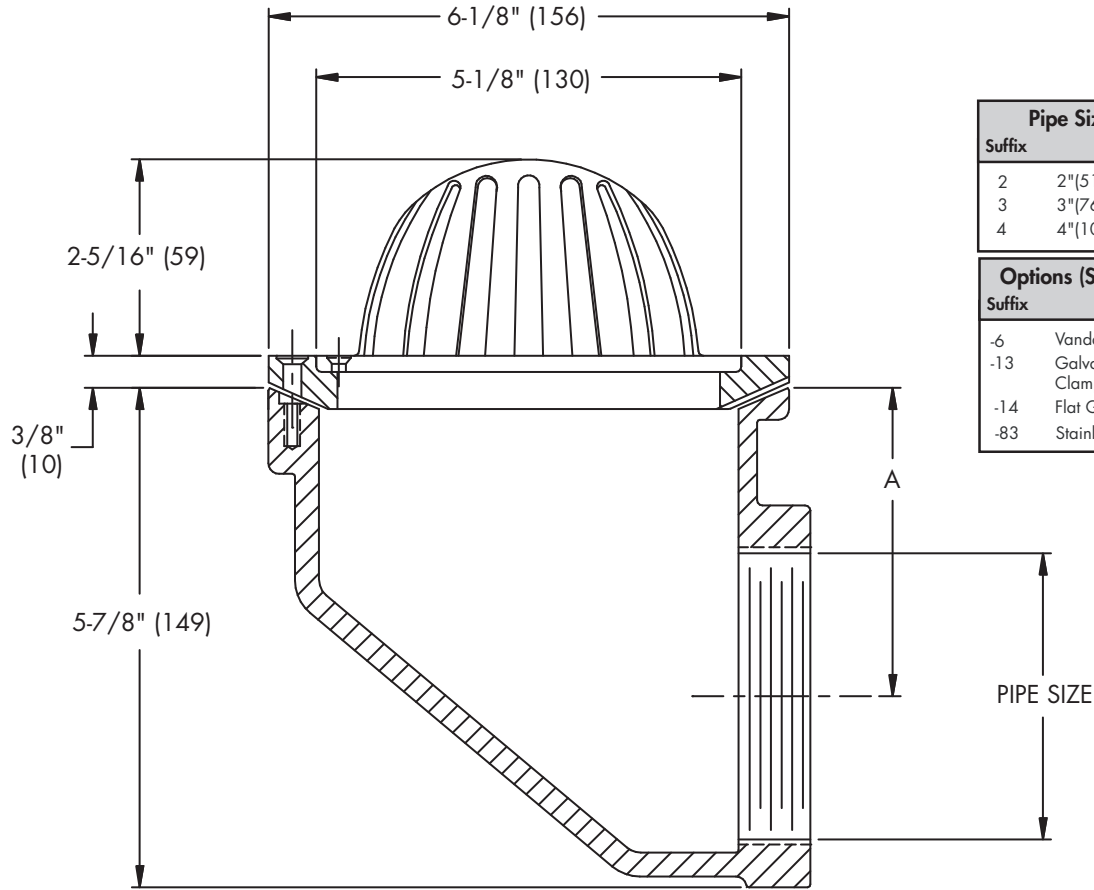




RD-230
Tag: _____

Side Outlet Balcony Drain

SPECIFICATION: Watts Drainage RD-230 epoxy coated cast iron side outlet balcony drain with flashing clamp, cast nickel bronze dome strainer, and IPS threaded outlet.



Pipe Sizing (Select One)		
Suffix	Description	
2	2" (51) Pipe Size	<input type="checkbox"/>
3	3" (76) Pipe Size	<input type="checkbox"/>
4	4" (102) Pipe Size	<input type="checkbox"/>

Options (Select One or More)		
Suffix	Description	
-6	Vandal Proof	<input type="checkbox"/>
-13	Galvanized Body & Flashing Clamp	<input type="checkbox"/>
-14	Flat Grate	<input type="checkbox"/>
-83	Stainless Steel Screened Dome	<input type="checkbox"/>

Free Area Sq. In.
12

Chart A

Size	A
2"	4-5/16"
3"	3-5/8"
4"	3-1/8"

Job Name _____ Contractor _____

Job Location _____ Contractor's P.O. No. _____

Engineer _____ Representative _____

WATTS Drainage reserves the right to modify or change product design or construction without prior notice and without incurring any obligation to make similar changes and modifications to products previously or subsequently sold. See your WATTS Drainage representative for any clarification. Dimensions are subject to manufacturing tolerances.



Specification Drainage Products

USA: 100 Watts Road, Spindale, NC, 28160-2298; TEL: 828-288-2179 TOLL-FREE: 1-800-338-2581 www.watts.com