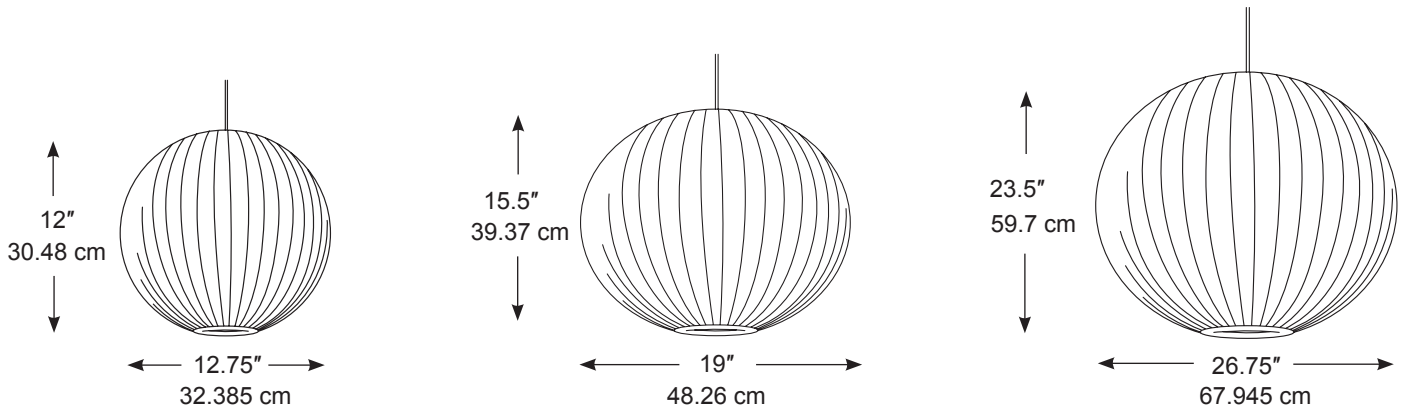


**MODERNICA**<sup>®</sup>

# GEORGE NELSON<sup>®</sup> BUBBLE LAMP<sup>®</sup>



## Bubble Lamp Ball Pendant

Designed by George Nelson in 1947.

Plastic and steel wire frame.

Each assembly kit includes 5.25-inch diameter a brushed nickel ceiling plate and 6 feet of cord.

UL-listed. Bulb not included. 150W/120V

Each lamp is built to George Nelson's original specifications.

Handcrafted in Michigan, U.S.A.



7366 Beverly Boulevard, Los Angeles CA 90036

TEL: 323•933•0383

MODERNICA.NET

distributed by

**MODERNICA**<sup>®</sup>