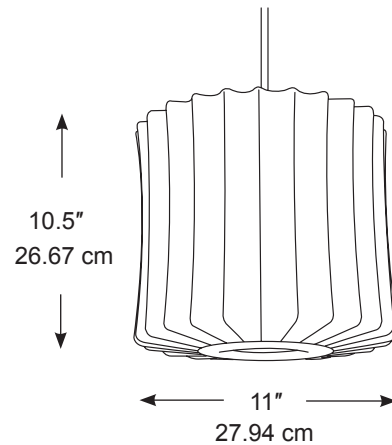


MODERNICA[®]

GEORGE NELSON[®] BUBBLE LAMP[®]



Bubble Lamp Lantern Pendant

Designed by George Nelson in 1947.

Plastic and steel wire frame.

Each assembly kit includes a 5.25-inch diameter brushed nickel ceiling plate and 6 feet of cord.

UL-listed. Bulb not included. 150W/120V

Each lamp is built to George Nelson's original specifications.

Handcrafted in Michigan, U.S.A.



7366 Beverly Boulevard, Los Angeles CA 90036

TEL: 323•933•0383

MODERNICA.NET

distributed by **MODERNICA**[®]