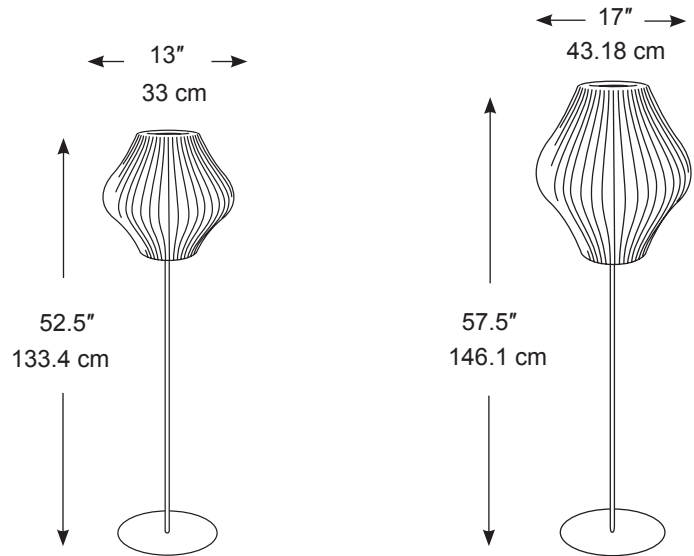


**MODERNICA**<sup>®</sup>

# GEORGE NELSON<sup>®</sup> BUBBLE LAMP<sup>®</sup>



Bubble Lamp Pear Lotus Floor Lamp

Designed by George Nelson<sup>®</sup> in 1947.

Plastic coating over a steel wire-frame and a brushed-nickel steel stand with a 6.5 lb base.

Comes with 9-feet of cord and an on/off floor switch.

UL-listed. Bulb not included. 150W/120V.

Each lamp is built to George Nelson's original specifications.

Handcrafted in Michigan, U.S.A.



7366 Beverly Boulevard, Los Angeles CA 90036

TEL: 323•933•0383

MODERNICA.NET

distributed by **MODERNICA**<sup>®</sup>