

MODERNICA[®]

GEORGE NELSON[®] BUBBLE LAMP[®]

Bubble Lamp Pear Lotus Table Lamp

Designed by George Nelson[®] in 1947.

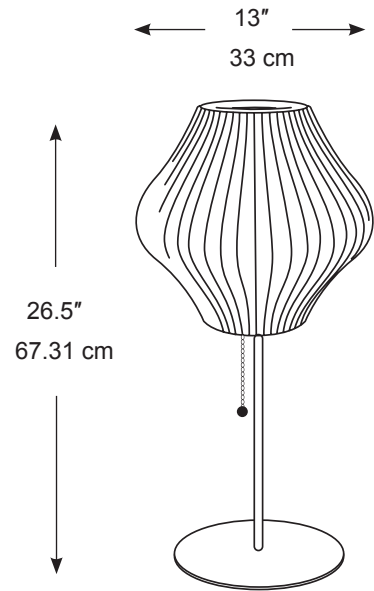
Plastic coating over a steel-wire frame, brushed-nickel steel, solid walnut end cap on chain.

Each lamp is built with an 8" solid steel base, 86" of cord and features an on/off pull chain.

UL-listed. Bulb not included. 150W/120V.

Each lamp is built to George Nelson's original specifications.

Handcrafted in Michigan, U.S.A.



MODERNICA LOS ANGELES
BUBBLE LAMPS[®]
DESIGNED BY GEORGE NELSON

7366 Beverly Boulevard, Los Angeles CA 90036

TEL: 323•933•0383

MODERNICA.NET

distributed by **MODERNICA**[®]