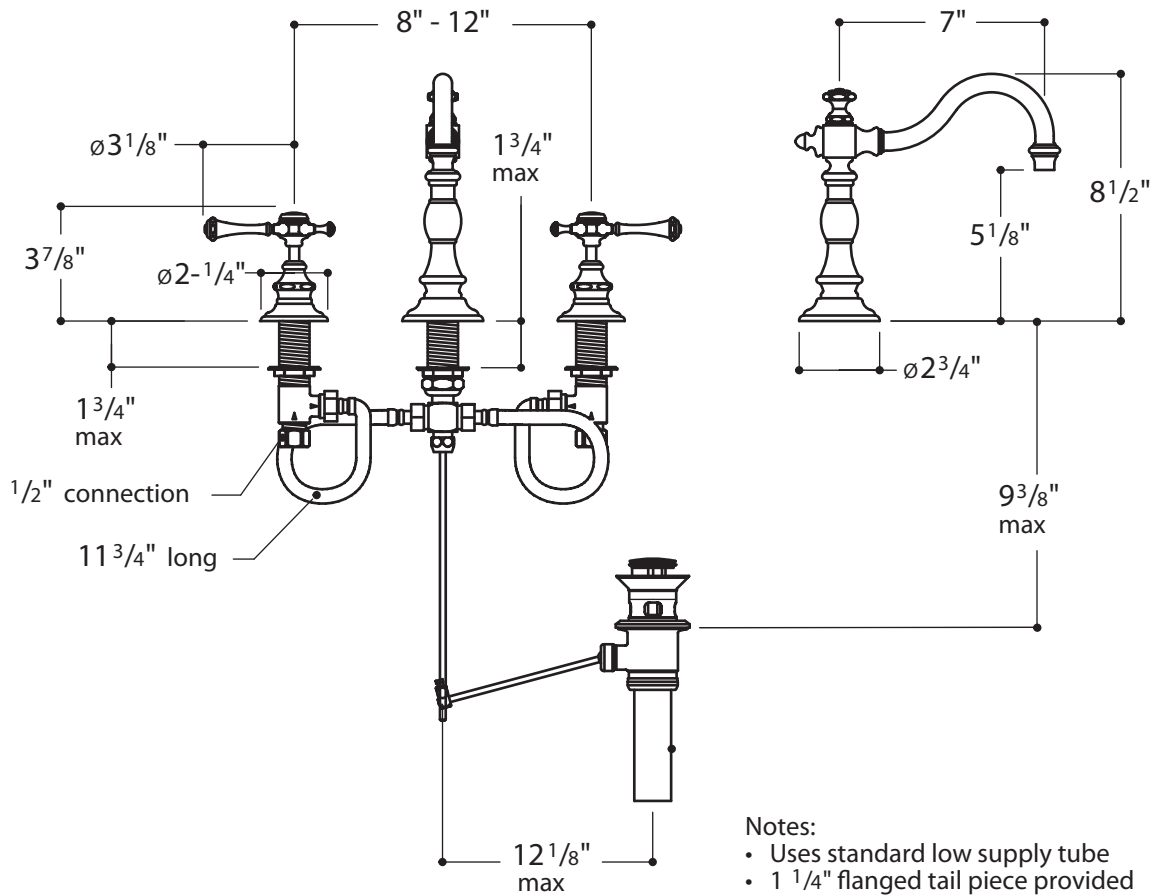


AMELIE

LAVATORY FAUCET WITH LEVER HANDLE AMLS20



- Notes:
- Uses standard low supply tube
 - 1 1/4" flanged tail piece provided
 - Drilling hole sizes:
 - spout: 1 3/8"
 - side: valves 1 1/8"

All dimensions are based on original specifications and are subject to change and variation. Please consult your Design Associate for current specification.