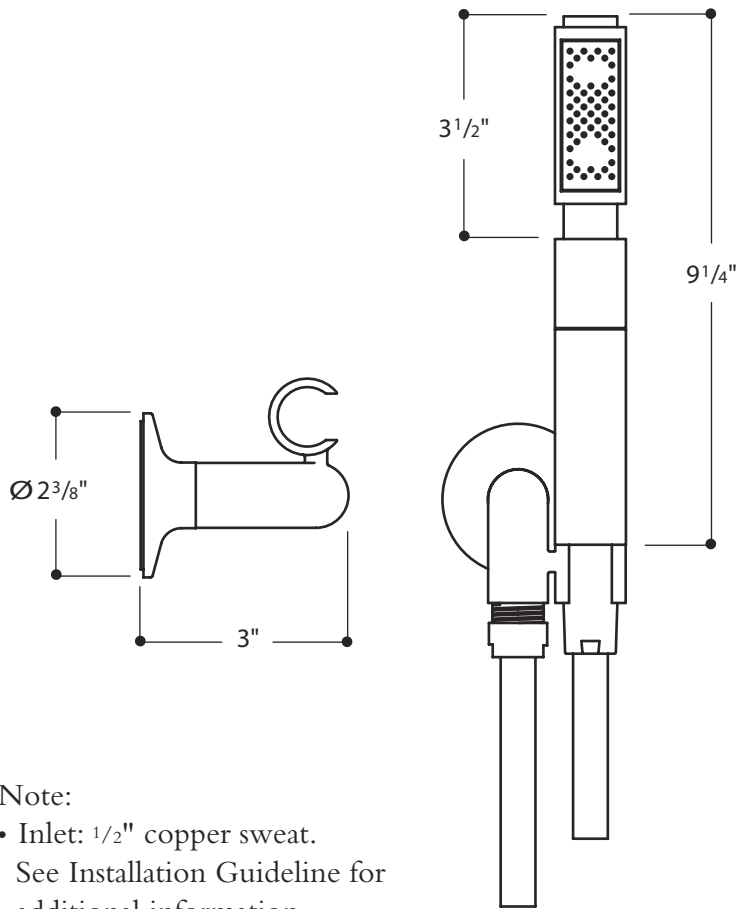

HANDSHOWER ON HOOK
PTHS25



Note:
• Inlet: 1/2" copper sweat.
See Installation Guideline for additional information.

All dimensions are based on original specifications and are subject to change and variation. Please consult your Design Associate for current specification.