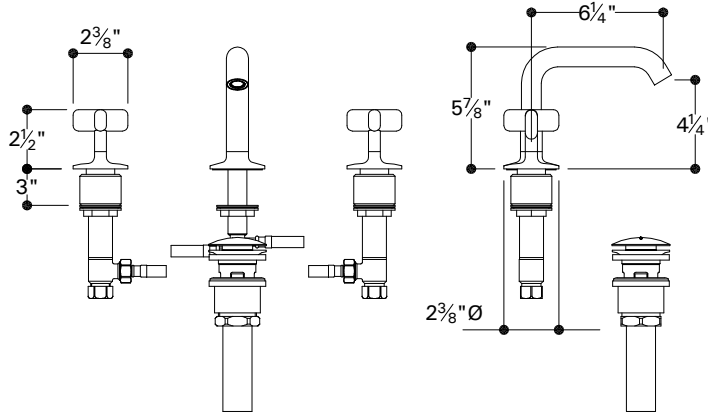
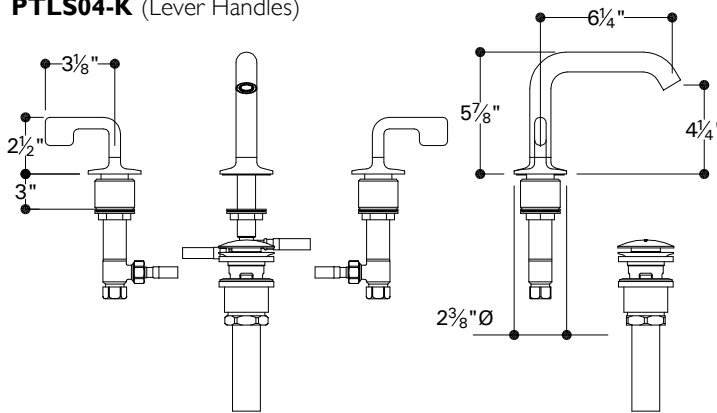


PTLS03-K (Cross Handles)**PTLS04-K** (Lever Handles)**IMPORTANT**

- To ensure this product is installed properly, you must read and follow these guidelines.
- The owner/user of the faucet must keep this information for future reference.
- Be sure your installation conforms to local codes.
- Refer to the specification and assembly drawings attached. Faucet is sold partially assembled but shown fully disassembled for illustrative and service purposes only.
- Inspect this product to assure you have all parts required for proper installation.
- Use only a strap wrench or protected/smooth-jaw wrench on any finished surface.
- If possible, install the faucet assembly on the sink or mounting surface before setting.
- Do NOT use putty during this installation.

SIDE VALVE INSTALLATION

1. Remove the handle trim connector (3), gasket (4) and plastic spacer (5) from the side valve (9). Do not remove the lock nut (8), washer and lower gasket (7).
2. Determine the thickness of the mounting surface. If it is less than $1\frac{1}{2}$ " , slide the plastic spacer (5) onto the side valve. If the surface is greater than $1\frac{1}{2}$ " , do not use the spacer.
3. Insert the side valve into the hole in the mounting surface.
4. Slide the rubber gasket (4) onto the handle trim connector (3). Thread the handle trim connector completely onto the side valve (about 6 full turns) until it stops. If the connector does not thread down completely, adjust the lock nut.
5. After the connector is on completely, tighten the lock nut against the underside of the mounting surface to secure the side valve.
6. Position the handle assembly over the valve then thread the handle assembly (1) onto the side valve until it stops. Hand tight is adequate; if this assembly is too tight, the handle will bind.
7. Repeat these steps to install the second side valve.

SPOUT AND DRAIN INSTALLATION

Note: This faucet does not use a lift rod to operate the drain stopper. Instead, it uses a simple pop-up drain that is closed and opened by pushing down on the stopper.

8. Unthread and remove the spout mounting nut (13), metal washer (12), and foam gasket (14) from the spout.
9. Insert the spout assembly (11) through the spout hole of the mounting surface, reinstall the rubber and metal spout washers then tighten the spout mounting nut to secure the spout to the mounting surface.
10. Thread each supply hose (26) into the spout shank. Hand tight is adequate, do NOT over tighten.
11. Connect each of the supply hoses to the adjacent side valve (9) making sure the hoses are not pinched/kinked.
12. Remove the upper collar (18) from the pop-up drain assembly and discard the upper gasket (19).
13. Set the upper collar in the lavatory drain opening using a clear adhesive silicone.

These guidelines have been prepared for the professional contractor to aid in the installation of:

.25 BRIDGE LAVATORY FAUCET WITH CROSS HANDLES (PTLS03-K) & LEVER HANDLES (PTLS04-K) All dimensions are based on origin specification and are subject to change and variation. Please consult your Design Associate for current specifications.

W A T E R W O R K S

- 14. Re-attach the lower drain assembly (22) using the gasket (20) provided then tighten until fully secured. A clear adhesive silicone may be used to ensure a water-tight seal between the gasket and lavatory.
- 15. Attach the tail piece (25) using the tail piece washer (23) provided.
- 16. Connect the side valves to the water supply valves (not supplied).

INSPECT THE INSTALLATION

- 17. Remove the flow restrictor assembly (15) from the spout using the tool provided (16). Carefully open the hot and cold valves to flush out any debris in the supply lines.
- 18. Inspect all connections for leaks. Reinstall the flow restrictor assembly.
- 19. Push down on the drain stopper (17) to close the drain then fill the sink with water to make sure the stopper operates and seals properly.
- 20. Push down on the stopper to open the drain. If the stopper has to be removed, simply unthread it by turning the stopper counter clockwise.

If further assistance is required, please contact Product Support at 1-800-927-2120 (8am-7pm EST)

These guidelines have been prepared for the professional contractor to aid in the installation of:
.25 BRIDGE LAVATORY FAUCET WITH CROSS HANDLES (PTLS03-K) & LEVER HANDLES (PTLS04-K) All dimensions are based on origin specification and are subject to change and variation. Please consult your Design Associate for current specifications.

W A T E R W O R K S

PART and SERVICE PACK TABLE

PART	PACK
------	------

NON-SERVICEABLE			
ITEM.	DESCRIPTION	QUANTITY	
1	HANDLE	2	N/A
2	HANDLE ESCUTCHEON	2	N/A
4	GASKET	2	N/A
6	CARTRIDGE	2	N/A
7	WASHER & LOWER GASKET	2	N/A
8	LOCK NUT	2	N/A
9	SIDE VALVE	2	N/A
10	SUPPLY NUT	2	N/A
11	SPOUT ASSEMBLY	1	N/A
12	METAL WASHER	1	N/A
13	SPOUT MOUNTING NUT	1	N/A
14	FOAM GASKET	1	N/A
16	FLOW RESTRICTOR TOOL	1	N/A

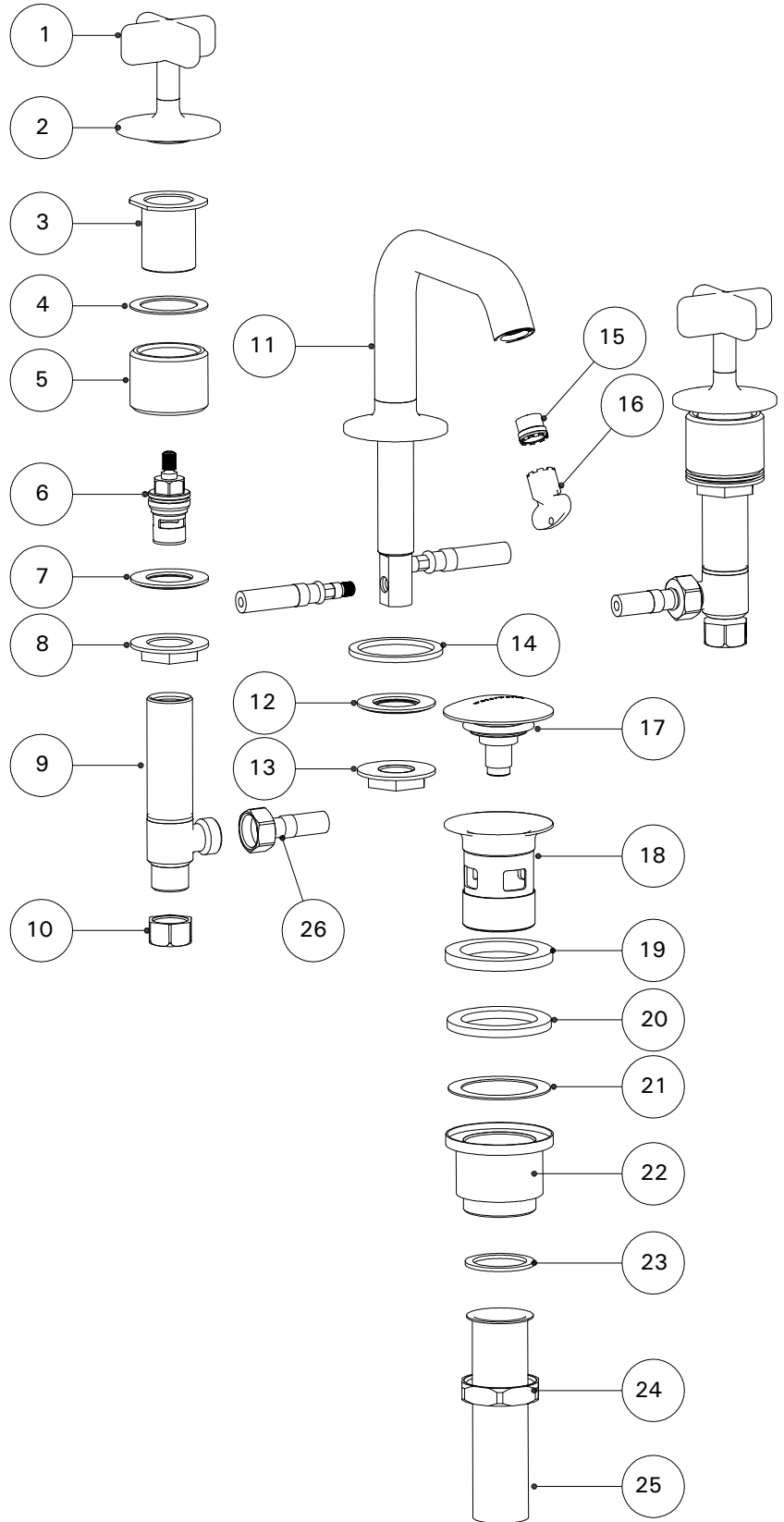
WWPLS31			
ITEM.	DESCRIPTION	QUANTITY	
3	HANDLE TRIM CONNECTOR	2	1

WWPTU30			
ITEM.	DESCRIPTION	QUANTITY	
5	PLASTIC SPACER	2	1

PTPLS15			
ITEM.	DESCRIPTION	QUANTITY	
15	FLOW RESTRICTOR	1	1

WWPLS02			
ITEM.	DESCRIPTION	QUANTITY	
17	DRAIN STOPPER	1	1
18	UPPER COLLAR	1	1
19	UPPER GASKET	1	1
20	GASKET	1	1
21	WASHER	1	1
22	LOWER DRAIN	1	1
23	TAIL PIECE WASHER	1	1
24	NUT	1	1
25	TAIL PIECE	1	1

PTPLS05			
ITEM.	DESCRIPTION	QUANTITY	
26	SUPPLY HOSES	2	1



These guidelines have been prepared for the professional contractor to aid in the installation of:
.25 BRIDGE LAVATORY FAUCET WITH CROSS HANDLES (PTLS03-K) & LEVER HANDLES (PTLS04-K) All dimensions are based on origin specification and are subject to change and variation. Please consult your Design Associate for current specifications.

W A T E R W O R K S

Care and Cleaning

The lustrous finish on your fitting or fixture should be treated with care. To clean the finish, wipe gently with a soft damp cloth and then with a soft dry towel. A mild soap solution can be used for daily cleaning. The use of non-recommended polishes, abrasive cleaners, solvents, ammonia-based products, or acid-based cleaners may damage the finish. Please know that improper handling or cleaning may damage the surface of the finish and consequently void the warranty.

Water contains lime and other minerals that are deposited after the water has evaporated. You can prevent deposits from forming by always wiping the fitting or fixture dry after use.

Please note the following points are specific to certain finishes or products only. Always read and follow the instructions when using any cleaning or polishing products.

BATHTUBS; CHINA, CERAMIC AND PORCELAIN

In addition to mild soap and water, a non-abrasive basin tub and tile cleaner is recommended for regular cleaning and disinfecting. Do not use abrasive cleaners or cleansers, as this will dull the surface finish. The use of any other cleaners or disinfectants may alter the surface finish.

CLOTHILDE TUB

Tin Coated Interior - Tin is a soft metal and should only be regularly cleaned with mild soap and water. The use of any other cleaners or disinfectants will alter the surface finish, removing the tin.

Copper Exterior - In addition to mild soap and water, a natural citrus-based product may be used for regular cleaning. The use of any other cleaners or disinfectants may alter the surface finish. Cape Cod® Polishing Cloths may be used for occasional polishing. If you desire additional protection, the use of Faucet Brite® will aid in cleaning and protecting the surface finish from mineral deposits present in your water supply. Faucet Brite® should be reapplied as necessary for continued protection.

WHIRLPOOL AND AIR TUB SYSTEMS

Jet Fresh® whirlpool cleaning solution is recommended for maintaining the waterways.

ANTIQUÉ COPPER, ANTIQUÉ BRASS, SHINY COPPER

Select Waterworks fittings and basins are offered in finishes that have been artificially weathered, creating a patina that will develop and change with time. In addition to mild soap and water, a natural citrus-based product may be used for regular cleaning. The use of any other cleaners or disinfectants may alter the surface finish. Please note that prolonged contact with certain items such as toothpaste, acidic fruits and vegetables, and wines will alter the surface finish. The use of polishing agents will remove the patina and restore the metal to its original shine. Once removed, the patina will naturally redevelop with time.

ARCHITECTURAL BRONZE

In addition to mild soap and water, a natural citrus-based product may be used for regular cleaning. The use of any other cleaners or disinfectants may alter the surface finish. Please note that prolonged contact with certain items such as toothpaste, acidic fruits and vegetables, and wines will alter the surface finish. The use of polishing agents will remove the finish.

NICKEL, MATTE NICKEL, CHROME, MATTE CHROME, MATTE GOLD, LUMIN, GOLD, CONCORDIA, SOVEREIGN

In addition to mild soap and water, a natural citrus-based product may be used for regular cleaning. The use of any other cleaners or disinfectants may alter the surface finish. Cape Cod® Polishing Cloths may be used for occasional polishing. If you desire additional protection, the use of Faucet Brite® will aid in cleaning and protecting the surface finish from mineral deposits present in your water supply. Faucet Brite® should be reapplied as necessary for continued protection.

SILVER, MATTE SILVER

Fittings offered in a silver finish will tarnish with age. This finish may be restored to its original luster by using Faucet Brite® or a non-abrasive silver polish. Faucet Brite® should be reapplied as necessary for continued protection and will help to prolong the time between regular polishing.

UNLACQUERED BRASS AND COPPER

Items purchased in unlacquered brass and copper finishes will change with time as they develop a natural patina. The original shine can be restored using Faucet Brite® or an appropriate polishing compound. If you desire additional protection, the use of Faucet Brite® will aid in cleaning and protecting the surface finish from mineral deposits present in your water supply. Faucet Brite® should be reapplied as necessary for continued protection.

CORIAN®

Soapy water, ammonia based cleaners or commercially available solid surface cleaners will remove most dirt and residue from Corian® surfaces. Stubborn residue will require a slightly stronger cleaner. Follow the recommendations at www.corian.com to properly clean your vanity top or sink.

WOOD SURFACES

All wood furniture surfaces should be maintained with a soft, damp cloth. Paste wax can be applied to the furniture every six months. Commercial or residential use citrus-based sprays are not recommended for cleaning the furniture.

W A T E R W O R K S

Warranty

RESIDENTIAL LIFETIME MECHANICAL WARRANTY

Waterworks warrants to the initial purchaser or initial homeowner all plumbing* and accessory** products sold by Waterworks, which are installed in a residence to be used in a residential application, to be free from manufacturing defects in materials and workmanship for as long as the purchaser continues to own and maintain the residence where the products are initially installed. Proof of purchase (original sales receipt) from the original consumer purchaser must accompany all warranty claims.

5 YEAR FINISH WARRANTY

Waterworks warrants to the initial purchaser or initial homeowner the finish of all plumbing* and accessory** products sold by Waterworks, which are installed in a residence to be used in a residential application, to be free from manufacturing defects in materials and workmanship for a period of five years from installation of the products. Products must be maintained and cleaned in accordance with the instructions provided to purchaser by Waterworks.

Waterworks must receive notice of any warranty claim within the five-year warranty period. Proof of purchase (original sales receipt) from the original consumer purchaser must accompany all warranty claims.

5 YEAR WOOD FURNITURE WARRANTY

Waterworks warrants to the initial purchaser or initial homeowner the finish of all wood furniture products sold by Waterworks, which are installed in a residence to be used in a residential application, to be free from manufacturing defects in materials and workmanship for a period of five years from installation of the products. Wood furniture will have natural variation in grain structure, color shade, and inherent characteristics such as streaks which are not considered defects. Waterworks must receive notice of any warranty claim within the five year warranty period. Proof of purchase (original sales receipt) from the original consumer purchaser must accompany all warranty claims.

1 YEAR ELECTRICAL TUB COMPONENTS, WATER CLOSET, VITREOUS CHINA AND CAST IRON WARRANTY

Waterworks warrants to the initial purchaser or initial homeowner electrical tub components, vitreous china, cast iron tubs and water closet internal components sold by Waterworks, which are installed in a residence to be used in a residential application, to be free from manufacturing defects in materials and workmanship for a period of 1 year from installation of the products. Gloss reduction, scratching, staining, alkaline etching of the finish over time due to use, cleaning practices or water or atmospheric conditions are not manufacturing defects but are considered normal wear and tear. Waterworks must receive notice of any warranty claim within the one-year warranty period. Proof of purchase (original sales receipt) from the original consumer purchaser must accompany all warranty claims.

REPAIR OR REPLACEMENT

If within the applicable warranty period the covered products shall be proved to the satisfaction of Waterworks to be defective, Waterworks will repair or replace such products, at its expense (provided that such repair or replacement shall not include installation costs). Waterworks' obligation shall be limited to such repair and replacement and shall be conditioned upon Waterworks' receiving notice of any alleged defect within the applicable warranty period. (Purchaser shall be responsible for all shipping charges for returned products.)

LIMITATIONS ON WARRANTY COVERAGE

The warranties set forth above shall be extended only to the initial purchaser or initial homeowner and do not apply to any purchaser where the products are used for commercial applications and usage. Furthermore, the warranties do not cover installation or any other labor charges and do not apply to:

- I. Products subject to normal wear and tear;
- II. Products which have been repaired, altered or modified in any way by purchaser or any person other than Waterworks or not using original Waterworks service parts, unless previously authorized in writing by Waterworks;
- III. Products which have not been installed, used, maintained or stored in accordance with the instructions provided to purchaser by Waterworks;
- IV. Products which have been used for purposes other than or in a manner contrary to their intended and normal use; products that have been used outdoors;
- V. Products which have been damaged as a result of misuse, negligence, freezing, accident or faulty installation or maintenance;
- VI. Products damaged by the effects of dirt, salt water air, hard water, lime scale, or abrasive or aggressive cleaners. If the normal life span of any product is shorter than the applicable warranty period, the warranty shall apply only during the period of such shorter life span;
- VII. Products damaged from exposure to extremes of high or low humidity and/or to rapid temperature change as well as variations in appearance which result from the normal expansion and contraction of wood as it responds to climatic changes in the home;
- VIII. Products installed that are not in compliance with local code requirements. Since local code requirements vary greatly, installation contractors and users of plumbing or fixture products should determine whether there are any code restrictions on the installation or use of a specified product;
- IX. Products sold "as is" and from store displays.

NATURE OF WARRANTY CLAIMS

For all warranty claims please call Waterworks Product Support at 800 927 2120, or write to Waterworks Product Support at 60 Backus Avenue, Danbury, CT 06810.

The warranties provided herein are conveyed only to the purchaser of products sold by Waterworks after January 1, 2006 and installed in a residential application. Except as specifically set forth above, Waterworks does not make any other warranty, express or implied, including without limitation, any implied warranty of merchantability or fitness for a particular purpose. In no event shall Waterworks be liable to any person or entity for any indirect, special, incidental or consequential damages or loss (including damages for loss of business, loss of profits, or the like), whether based on breach of contract, tort (including negligence), product liability or otherwise, even if it has been advised of the possibility of such damages. Waterworks' liability on any claim of any kind, including negligence, shall in no case exceed the contract price paid by the purchaser for the product claimed to be defective or unsuitable.

Waterworks is a registered trademark of Waterworks, Inc.

While Waterworks uses reasonable efforts to include accurate and up-to-date information and photographs in the catalog and on the website, Waterworks makes no warranties or representations as to the accuracy of this information and these photographs. Waterworks assumes no liability or responsibility for any errors or omissions in the content or photographs in the catalog or on the website.

* Examples of plumbing products: fittings including lavatory sets, shower valves, tub fillers, shower heads, hand showers, bidet fittings, kitchen mixers, tubs (excluding electrical components).

**Examples of accessory products: fixtures including washstands, mirrors, towel bars, shelves, robe hooks, paper holders, hardware/knobs, and furnishings.

W A T E R W O R K S