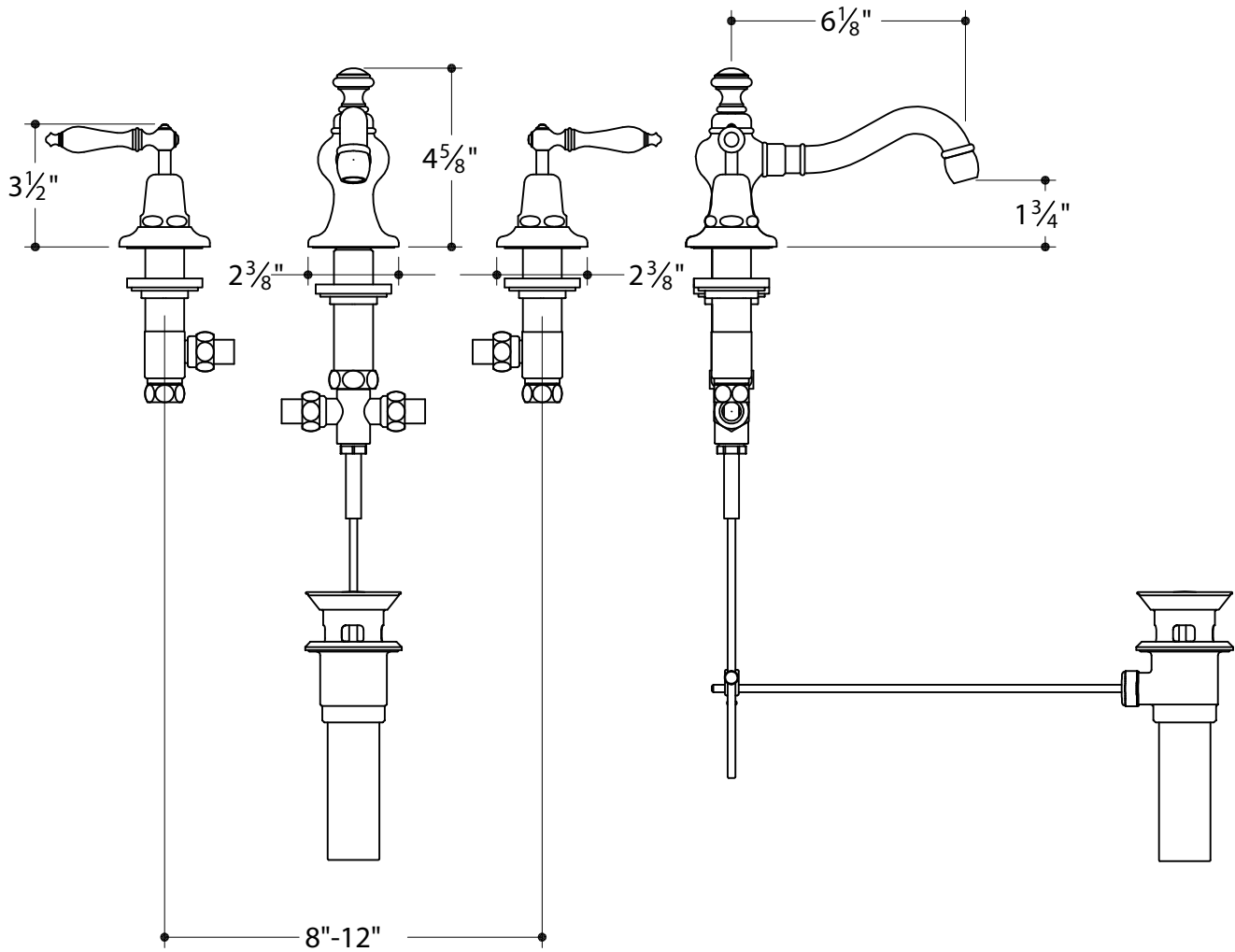


E T O I L E

LOW PROFILE LAVATORY FAUCET with LEVER HANDLES ETLS43



Note:

- Drill Hole Diameter: 1 1/4"
- 1 1/4" Diameter Tailpiece Included

All dimensions are based on original specifications and are subject to change and variation. Please consult your Design Associate for current specification.