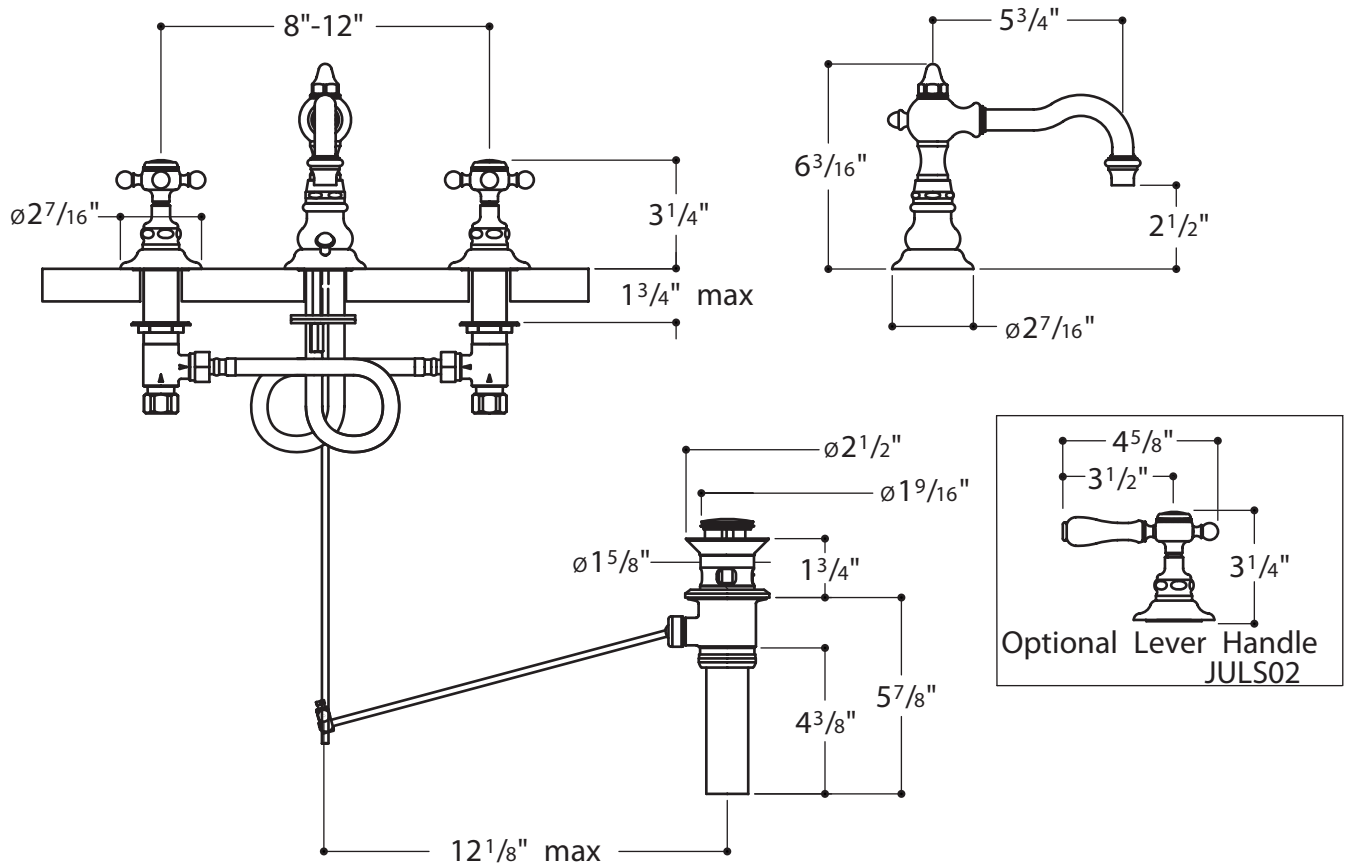


LAVATORY FAUCET
JULS01 (CROSS HANDLE)
JULS02 (LEVER HANDLE)



Notes:

- Drilling hole size: 1 1/4"
- Spout rotates 180°

All dimensions are based on original specifications and are subject to change and variation. Please consult your Design Associate for current specification.