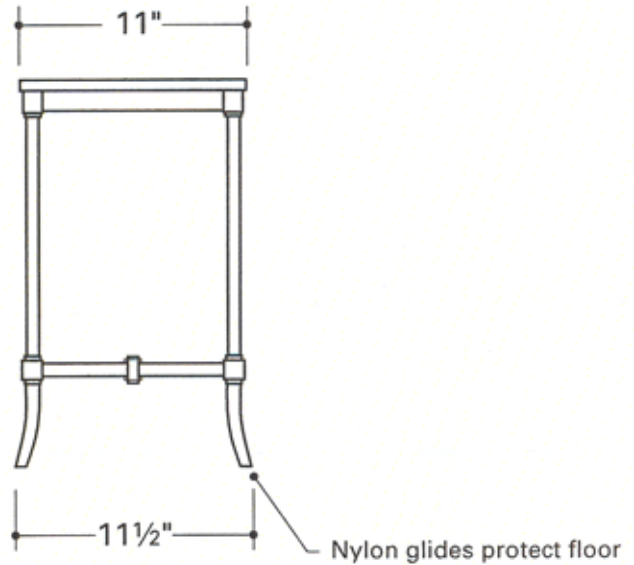
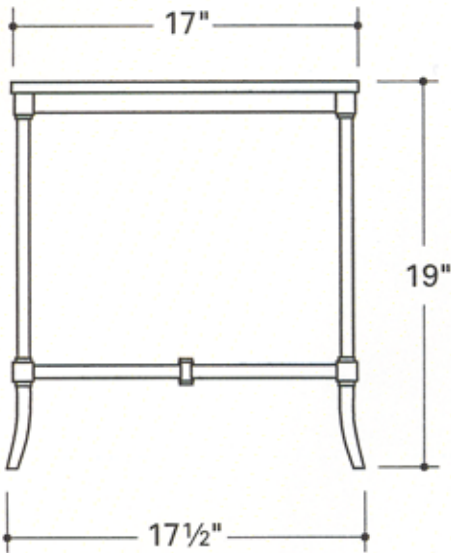
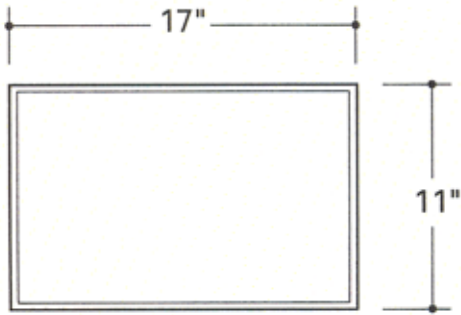


TRAY TABLE

EAFN 02 (nickel frame only)

EAFN 02B-K (nickel frame with black glass top)

EAFN 02C-K (nickel frame with clear glass top)



All dimensions are based on original specifications and are subject to change and variation. Please consult your Design Associate for current specification.

Note:
Glass is removable and may be purchased separately.