

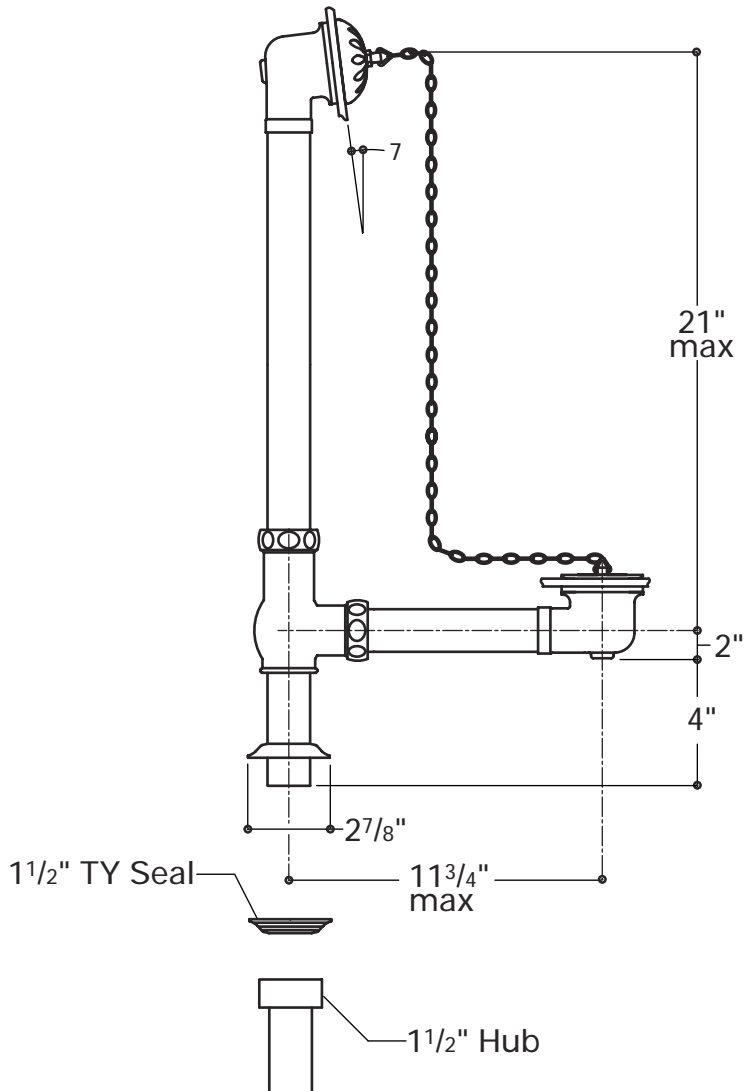
TRADITIONAL

WASTE AND OVERFLOW

FDW076

OPTIONAL PLATED 8" TAILPIECE*

ZUPW001



***Note:**

- All final connections are made below the finished floor. Accessibility below the finished floor is recommended.
- See Installation Guidelines for detailed explanation for setting the bathtub and drain.
- Optional Tailpiece not shown.

All dimensions are based on original specifications and are subject to change and variation. Please consult your Design Associate for current specifications.