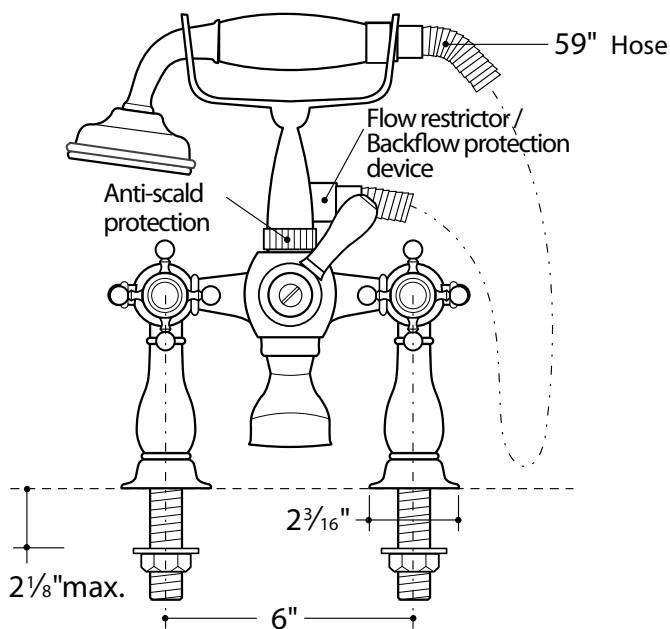


# JULIA

## EXPOSED TUB FILLER AND HANDSHOWER JUTU 05

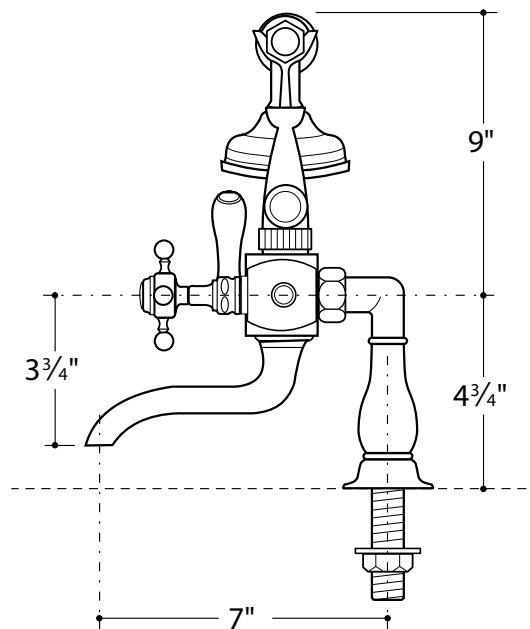


Note:  
Drilling hole size: 1 1/4"

When using in conjunction with the freestanding legs (NFTU 32), you must specify the ETTU 90 deck unions in place of the JUTU 07 deck unions

All dimensions are based on original specifications and are subject to change and variation. Please consult your Design Associate for current specification.

## DECK MOUNT UNIONS JUTU 07



Inlets 1/2" straight male thread  
NPT adapters provided

Note: Vacuum breaker provided