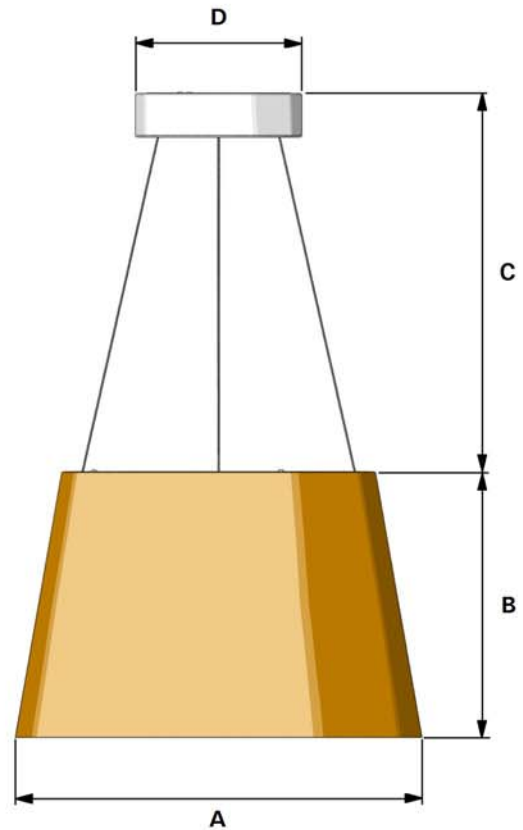
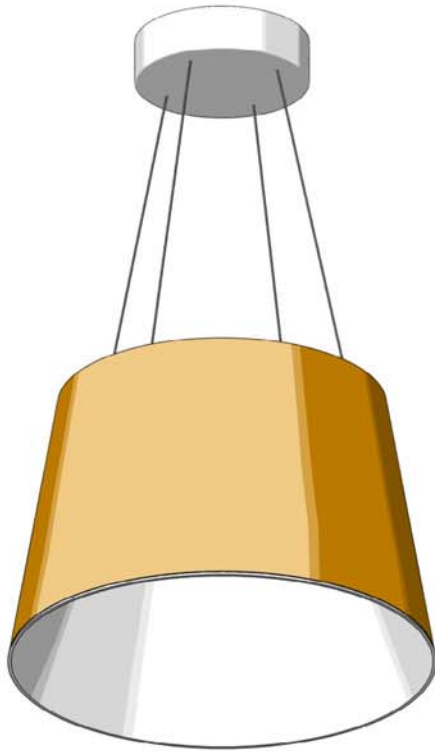


Denis Santachiara, 2005



CODE	VOLTAGE	BULB	DIMENSIONS IN CM
5483	120V	1x40W G10q (FL)	A: 54 - B: 36 - C: + 200

ASSEMBLING INSTRUCTIONS

While installing the fixture, make sure that it is going to be held by the steel cable and not by the feeding cable.

CLEANING

Use only damp cloth with mild soap. Do not use alcohol or solvent. Keep these instructions for future reference.

WARNING

Disconnect current prior to any assembling or repair. If not familiar with electrical connections, contact a qualified electrician. Keep these instructions for future reference.

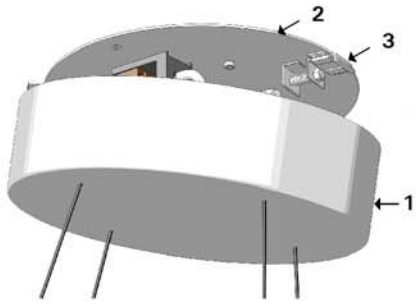


Before any operation on the fixture, please disconnect the power supply.

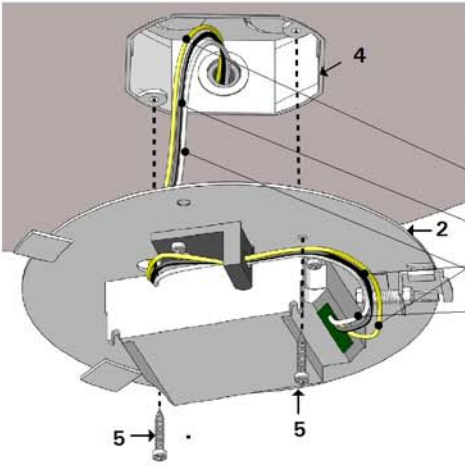


In case of damage to the feeding cable, please contact a FontanaArte dealer or qualified personnel for replacement.

FontanaArte reserves the right to introduce all changes required for the improvement of the present product at any time and without prior notice.

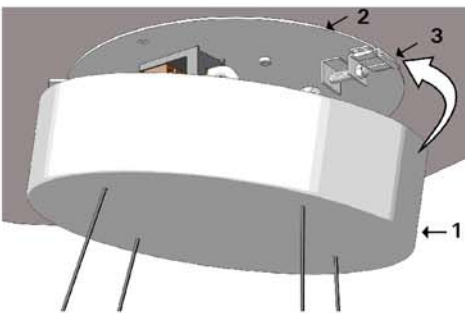


Separate ceiling rose (1) from bottom (2) with a soft pressure on lock (3). Push ceiling rose (1) downward letting it slide along the cables.

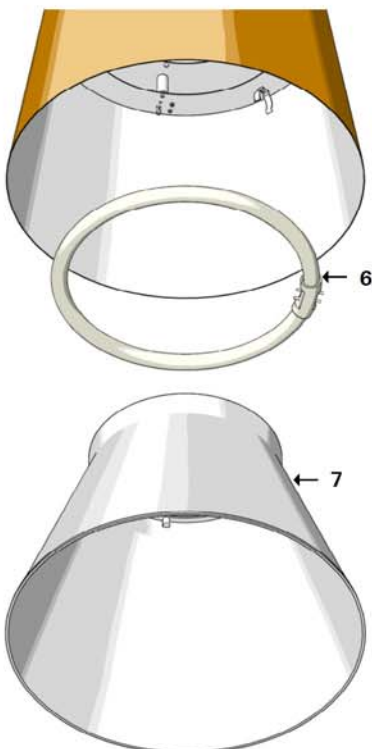


Bring bottom (2) near j-box (4) and carry out the electrical connections by connecting the black wire of the fixture to the black wire of the j-box and the white wire of the fixture to the white wire of the j-box. Also connect the grounding. Fix bottom (2) to j-box (4) by means of screws (5).

GROUNDING
BLACK LOAD WIRE
WHITE NEUTRAL WIRE



Position ceiling rose (1) again on bottom (2) with a soft pressure in order to allow lock (3) to be fixed.



Insert bulb (6) and position internal diffuser (7).