

INDIVIDUAL SHELVING COMPONENTS



Build your own library using Bretford's unique system -- just choose the shelving components that match the needs of your library patrons.

- Shelving units incorporate the beauty of fine wood with the sturdiness of steel frames.
- Timeless design complements any decor.
- Utilizes starter/add-on approach which allows Legacy to adapt to your changing storage and display needs.
- Designed with the flexibility to accommodate different media formats with a variety of storage and display options.
- Available in single- and double-faced units to efficiently utilize valuable floor space.

HOW TO ORDER SHELVING FOR YOUR LEGACY LIBRARY ENVIRONMENT

Legacy gives you flexibility with standard shelving units and also offers you complete modularity so you can customize your own storage unit. A wide variety of standard Legacy options and accessories can accommodate all of your storage requirements. From multimedia storage to periodical display and storage to lockable doors and glide drawers, Legacy affords you the complete flexibility to arrange and rearrange your library.

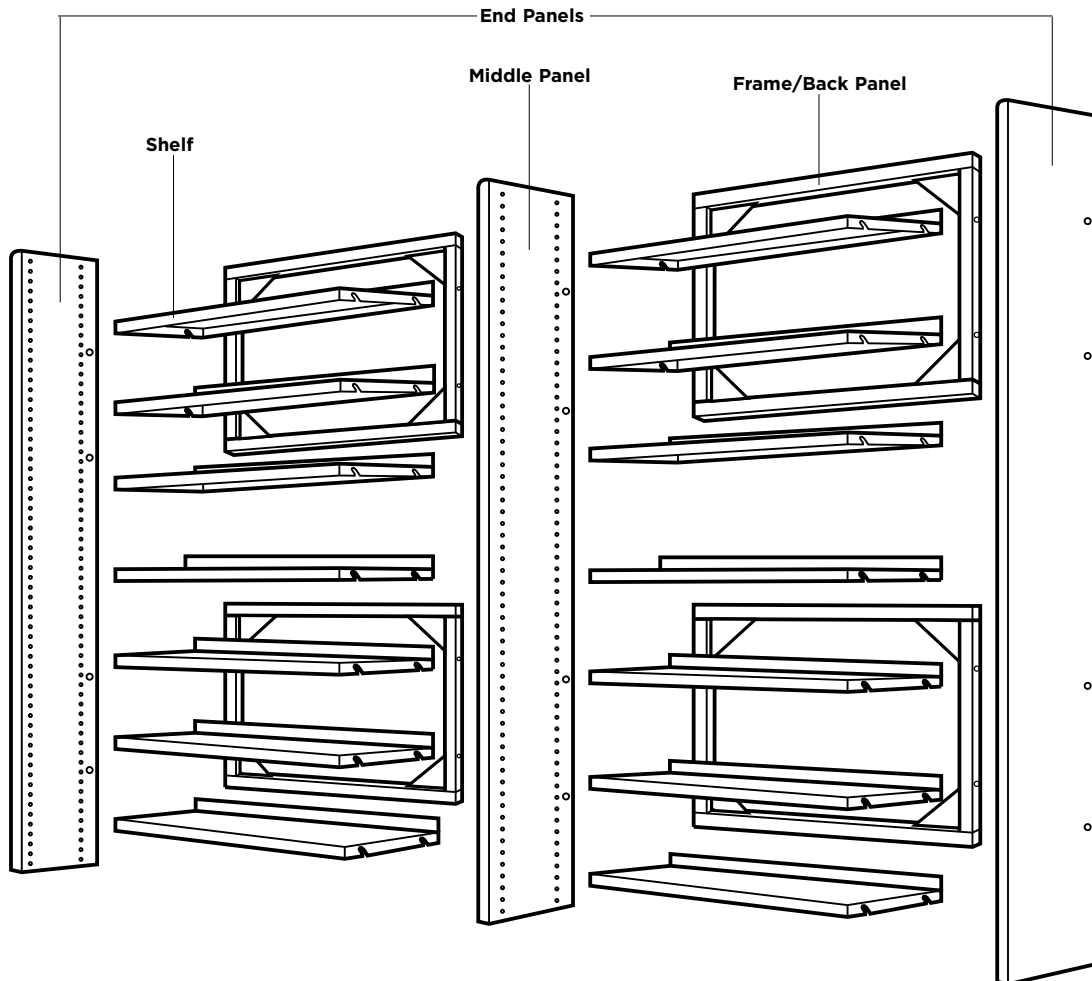
FOLLOW THE FOUR EASY STEPS DESCRIBED IN THE FOLLOWING SECTION TO CREATE YOUR OWN LEGACY LIBRARY ENVIRONMENT.

STEP ONE: SELECT UPRIGHT PANELS

STEP TWO: CHOOSE BACK SUPPORTS

STEP THREE: SELECT SHELVING

STEP FOUR: DECIDE ON SHELVING ACCESSORIES

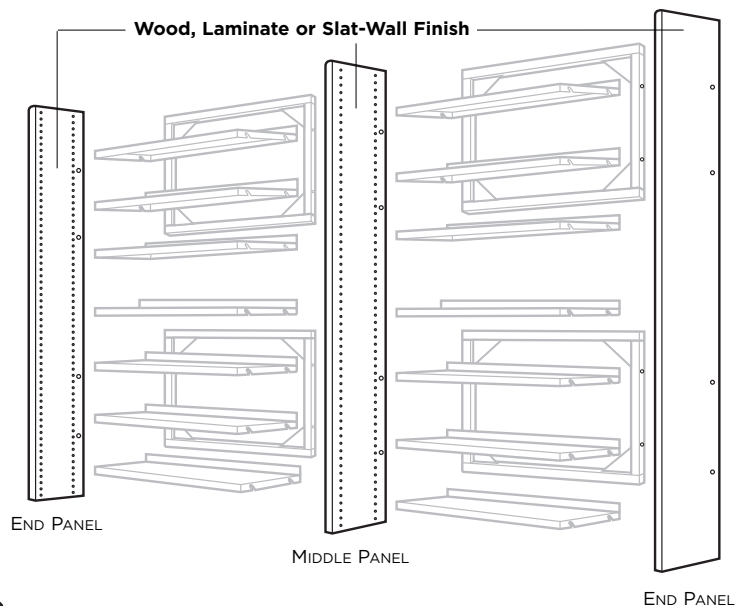


STEP ONE: UPRIGHT PANELS



Select your end and middle panels. Determine the sizes you need and how long your ranges will be.

- Wood end and middle panels come standard in many attractive wood stain finishes.
- Laminate end and middle panels come standard in an attractive laminate.
- Slat-wall end panels come with either veneer or laminate finish (a veneer finish is always on the back side).
- 32mm hole system accepts specialized shelves and accessories as well as standard shelves.
- Available in single- or double-faced units to efficiently utilize valuable floor space.



SPECIFICATION INFORMATION

END AND MIDDLE PANELS

Wood End and Middle Panel:

Each 29, 36, 42, 48, 60, 72 or 84" high wood upright panel is constructed of 1" thick, 45 lb. density industrial grade particle board covered on both sides with .031" thick veneer. End panels are sold in sets or as an individual while middle panels are always sold individually.

Bull-nosed edge treatments are constructed using $\frac{3}{8}$ " thick, solid hardwood, FAS select or better. Single-faced panels have a $\frac{9}{16}$ " radius top front corner and a 90 degree top back corner, to fit flush against a wall. Double-faced units have a $\frac{9}{16}$ " radius on top front and back corners. All upright panels have a stained finish.

Each panel has shelf adjustment holes drilled on 32mm centers. Panels have $1\frac{1}{2}$ " leg levelers that screw into pre-threaded metal inserts.

All single-faced panels come complete with one wall/floor mounting bracket.

Laminate End and Middle Panel:

Each 29, 36, 42, 60, 72 or 84" high laminate upright panel is constructed of 1" thick, 45 lb. density industrial grade particle board covered on both sides with a neutral, non-glare, .050" thick high-pressure laminate. End panels are sold in sets while middle panels are sold as one.

Edge treatments shall be constructed using a 3mm T-mold edge. Single-faced panels have a $\frac{9}{16}$ " radius top front corner and a 90 degree top back corner. Double-faced units have a $\frac{9}{16}$ " radius on top front and back corners.

Each panel has shelf adjustment holes drilled on 32mm centers. Panels have $1\frac{1}{2}$ " leg levelers that screw into pre-threaded metal inserts.

All single-faced panels come complete with one wall/floor mounting bracket.

Slat-Wall End Panel:

Each 48, 60, 72 or 84" high Slat-Wall End Panel shall be a double-faced end panel. Slat-Wall Panels are only available for 10", 12" and 15" deep, double-faced units. Each panel shall be a $1\frac{3}{8}$ " thick panel consisting of $\frac{3}{4}$ " particle board and $\frac{5}{8}$ " MDF laminated together. The outside panel shall be slat wall with $2\frac{15}{16}$ " slot spacing. Slots between slats start $3\frac{1}{2}$ " from the bottom of the panel. Laminate or veneer shall cover the slats. The opposite side of the panel shall be covered with .031" thick veneer. Slat wall end panels are sold in sets with one wood end panel for the other end of a run or as one individual slat wall panel.

Edge treatments shall be constructed using $\frac{3}{8}$ " thick, solid hardwood, FAS select or better with a 3mm radius edge.

Each panel shall have shelf adjustment holes drilled on 32mm centers. Panels shall have $1\frac{1}{2}$ " long leg levelers that screw into pre-threaded metal inserts.

End Panel Depth	Shelf Depth
Single Faced	Single Faced
10 $\frac{5}{8}$ "	8"
12 $\frac{1}{2}$ "	10"
14 $\frac{1}{2}$ "	12"
19 $\frac{15}{16}$ "	15"
Double Faced	Double Faced
19 $\frac{7}{8}$ "	8"
23 $\frac{11}{16}$ "	10"
27 $\frac{3}{4}$ "	12"
38 $\frac{1}{2}$ "	15"

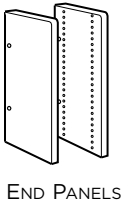
End Panel Height	Actual End Panel Height*
29"	29 $\frac{29}{32}$ "
36"	36 $\frac{3}{16}$ "
42"	42 $\frac{1}{2}$ "
48"	47 $\frac{17}{32}$ "
60"	58 $\frac{7}{8}$ "
72"	71 $\frac{15}{32}$ "
84"	84 $\frac{1}{16}$ "

* Height includes end panel plus glides

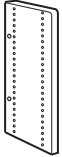
SINGLE-FACED UPRIGHT PANELS

PRODUCT	WOOD END PANEL MODEL #	LAMINATE END PANEL MODEL #	DESCRIPTION	ACTUAL SHELF DEPTH
---------	------------------------------	----------------------------------	-------------	-----------------------

29" H UNITS



END PANELS



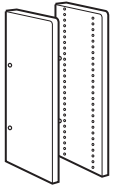
MIDDLE PANEL

LSE2908-__	LAMSE2908-__	10 ⁵ / ₈ "D x 29 ²⁹ / ₃₂ "H-2 End Panels	8"D
LSM2908-__	LAMSM2908-__	10 ⁵ / ₈ "D x 29 ²⁹ / ₃₂ "H-1 Middle Panel	8"D
LSE2910-__	LAMSE2910-__	12 ¹ / ₂ "D x 29 ²⁹ / ₃₂ "H-2 End Panels	10"D
LSM2910-__	LAMSM2910-__	12 ¹ / ₂ "D x 29 ²⁹ / ₃₂ "H-1 Middle Panel	10"D
LSE2912-__	LAMSE2912-__	14 ¹ / ₂ "D x 29 ²⁹ / ₃₂ "H-2 End Panels	12"D
LSM2912-__	LAMSM2912-__	14 ¹ / ₂ "D x 29 ²⁹ / ₃₂ "H-1 Middle Panel	12"D
LSE2915-__	LAMSE2915-__	19 ¹⁵ / ₁₆ "D x 29 ²⁹ / ₃₂ "H-2 End Panels	15"D
LSM2915-__	LAMSM2915-__	19 ¹⁵ / ₁₆ "D x 29 ²⁹ / ₃₂ "H-1 Middle Panel	15"D

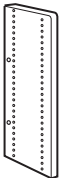
Bretford's Upright Panels can be ordered as laminate or veneer end or middle panels. Please note: Veneer panels have a hardwood edge while laminate panels have a 3mm T-mold edge.

Each panel has shelf adjustment holes drilled on 32mm centers. End panels have holes drilled on one side while middle panels have holes drilled on both sides.

36" H UNITS



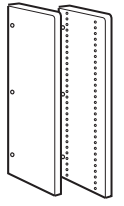
END PANELS



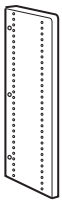
MIDDLE PANEL

LSE3608-__	LAMSE3608-__	10 ⁵ / ₈ "D x 36 ³ / ₁₆ "H-2 End Panels	8"D
LSM3608-__	LAMSM3608-__	10 ⁵ / ₈ "D x 36 ³ / ₁₆ "H-1 Middle Panel	8"D
LSE3610-__	LAMSE3610-__	12 ¹ / ₂ "D x 36 ³ / ₁₆ "H-2 End Panels	10"D
LSM3610-__	LAMSM3610-__	12 ¹ / ₂ "D x 36 ³ / ₁₆ "H-1 Middle Panel	10"D
LSE3612-__	LAMSE3612-__	14 ¹ / ₂ "D x 36 ³ / ₁₆ "H-2 End Panels	12"D
LSM3612-__	LAMSM3612-__	14 ¹ / ₂ "D x 36 ³ / ₁₆ "H-1 Middle Panel	12"D
LSE3615-__	LAMSE3615-__	19 ¹⁵ / ₁₆ "D x 36 ³ / ₁₆ "H-2 End Panels	15"D
LSM3615-__	LAMSM3615-__	19 ¹⁵ / ₁₆ "D x 36 ³ / ₁₆ "H-1 Middle Panel	15"D

42" H UNITS



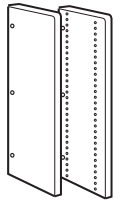
END PANELS



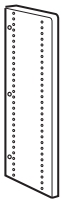
MIDDLE PANEL

LSE4208-__	LAMSE4208-__	10 ⁵ / ₈ "D x 42 ¹ / ₂ "H-2 End Panels	8"D
LSM4208-__	LAMSM4208-__	10 ⁵ / ₈ "D x 42 ¹ / ₂ "H-1 Middle Panel	8"D
LSE4210-__	LAMSE4210-__	12 ¹ / ₂ "D x 42 ¹ / ₂ "H-2 End Panels	10"D
LSM4210-__	LAMSM4210-__	12 ¹ / ₂ "D x 42 ¹ / ₂ "H-1 Middle Panel	10"D
LSE4212-__	LAMSE4212-__	14 ¹ / ₂ "D x 42 ¹ / ₂ "H-2 End Panels	12"D
LSM4212-__	LAMSM4212-__	14 ¹ / ₂ "D x 42 ¹ / ₂ "H-1 Middle Panel	12"D
LSE4215-__	LAMSE4215-__	19 ¹⁵ / ₁₆ "D x 42 ¹ / ₂ "H-2 End Panels	15"D
LSM4215-__	LAMSM4215-__	19 ¹⁵ / ₁₆ "D x 42 ¹ / ₂ "H-1 Middle Panel	15"D

48" H UNITS



END PANELS



MIDDLE PANEL

LSE4808-__		10 ⁵ / ₈ "D x 47 ¹⁷ / ₃₂ "H-2 End Panels	8"D
LSM4808-__		10 ⁵ / ₈ "D x 47 ¹⁷ / ₃₂ "H-1 Middle Panel	8"D
LSE4810-__		12 ¹ / ₂ "D x 47 ¹⁷ / ₃₂ "H-2 End Panels	10"D
LSM4810-__		12 ¹ / ₂ "D x 47 ¹⁷ / ₃₂ "H-1 Middle Panel	10"D
LSE4812-__	Not Available	14 ¹ / ₂ "D x 47 ¹⁷ / ₃₂ "H-2 End Panels	12"D
LSM4812-__		14 ¹ / ₂ "D x 47 ¹⁷ / ₃₂ "H-1 Middle Panel	12"D
LSE4815-__		19 ¹⁵ / ₁₆ "D x 47 ¹⁷ / ₃₂ "H-2 End Panels	15"D
LSM4815-__		19 ¹⁵ / ₁₆ "D x 47 ¹⁷ / ₃₂ "H-1 Middle Panel	15"D

HOW TO ORDER **Wood** UPRIGHT PANELS:

Example: 42"H, 8"D Single-Faced Wood End Panels; Medium Cherry Veneer

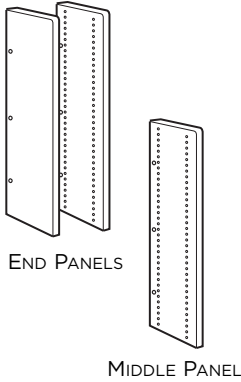
LSE4208 C7

Model Number Veneer

SINGLE-FACED UPRIGHT PANELS

PRODUCT	WOOD END PANEL MODEL #	LAMINATE END PANEL MODEL #	DESCRIPTION	ACTUAL SHELF DEPTH
---------	------------------------------	----------------------------------	-------------	-----------------------

60"H UNITS

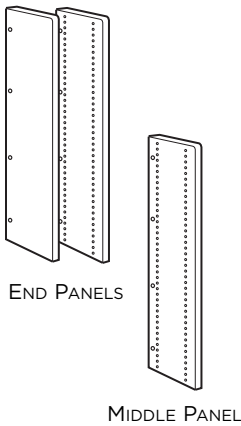


LSE6008-__	LAMSE6008-__	10 ⁵ / ₈ "D x 58 ⁷ / ₈ "H-2 End Panels	8"D
LSM6008-__	LAMSM6008-__	10 ⁵ / ₈ "D x 58 ⁷ / ₈ "H-1 Middle Panel	8"D
LSE6010-__	LAMSE6010-__	12 ¹ / ₂ "D x 58 ⁷ / ₈ "H-2 End Panels	10"D
LSM6010-__	LAMSM6010-__	12 ¹ / ₂ "D x 58 ⁷ / ₈ "H-1 Middle Panel	10"D
LSE6012-__	LAMSE6012-__	14 ¹ / ₂ "D x 58 ⁷ / ₈ "H-2 End Panels	12"D
LSM6012-__	LAMSM6012-__	14 ¹ / ₂ "D x 58 ⁷ / ₈ "H-1 Middle Panel	12"D
LSE6015-__	LAMSE6015-__	19 ¹⁵ / ₁₆ "D x 58 ⁷ / ₈ "H-2 End Panels	15"D
LSM6015-__	LAMSM6015-__	19 ¹⁵ / ₁₆ "D x 58 ⁷ / ₈ "H-1 Middle Panel	15"D

Bretford's Upright Panels can be ordered as laminate or veneer end or middle panels. Please note: Veneer panels have a hardwood edge while laminate panels have a 3mm T-mold edge.

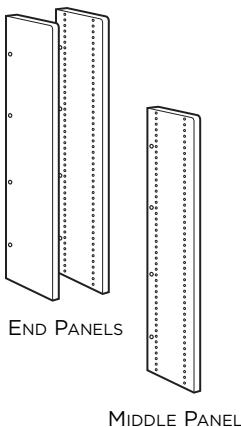
Each panel has shelf adjustment holes drilled on 32mm centers. End panels have holes drilled on one side while middle panels have holes drilled on both sides.

72"H UNITS



LSE7208-__	LAMSE7208-__	10 ⁵ / ₈ "D x 71 ¹⁵ / ₃₂ "H-2 End Panels	8"D
LSM7208-__	LAMSM7208-__	10 ⁵ / ₈ "D x 71 ¹⁵ / ₃₂ "H-1 Middle Panel	8"D
LSE7210-__	LAMSE7210-__	12 ¹ / ₂ "D x 71 ¹⁵ / ₃₂ "H-2 End Panels	10"D
LSM7210-__	LAMSM7210-__	12 ¹ / ₂ "D x 71 ¹⁵ / ₃₂ "H-1 Middle Panel	10"D
LSE7212-__	LAMSE7212-__	14 ¹ / ₂ "D x 71 ¹⁵ / ₃₂ "H-2 End Panels	12"D
LSM7212-__	LAMSM7212-__	14 ¹ / ₂ "D x 71 ¹⁵ / ₃₂ "H-1 Middle Panel	12"D
LSE7215-__	LAMSE7215-__	19 ¹⁵ / ₁₆ "D x 71 ¹⁵ / ₃₂ "H-2 End Panels	15"D
LSM7215-__	LAMSM7215-__	19 ¹⁵ / ₁₆ "D x 71 ¹⁵ / ₃₂ "H-1 Middle Panel	15"D

84"H UNITS



LSE8408-__	LAMSE8408-__	10 ⁵ / ₈ "D x 84 ¹ / ₁₆ "H-2 End Panels	8"D
LSM8408-__	LAMSM8408-__	10 ⁵ / ₈ "D x 84 ¹ / ₁₆ "H-1 Middle Panel	8"D
LSE8410-__	LAMSE8410-__	12 ¹ / ₂ "D x 84 ¹ / ₁₆ "H-2 End Panels	10"D
LSM8410-__	LAMSM8410-__	12 ¹ / ₂ "D x 84 ¹ / ₁₆ "H-1 Middle Panel	10"D
LSE8412-__	LAMSE8412-__	14 ¹ / ₂ "D x 84 ¹ / ₁₆ "H-2 End Panels	12"D
LSM8412-__	LAMSM8412-__	14 ¹ / ₂ "D x 84 ¹ / ₁₆ "H-1 Middle Panel	12"D
LSE8415-__	LAMSE8415-__	19 ¹⁵ / ₁₆ "D x 84 ¹ / ₁₆ "H-2 End Panels	15"D
LSM8415-__	LAMSM8415-__	19 ¹⁵ / ₁₆ "D x 84 ¹ / ₁₆ "H-1 Middle Panel	15"D

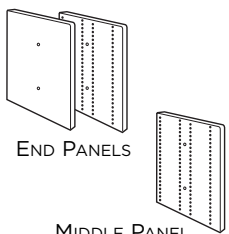
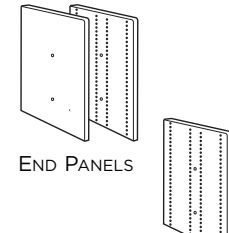
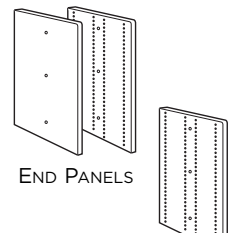
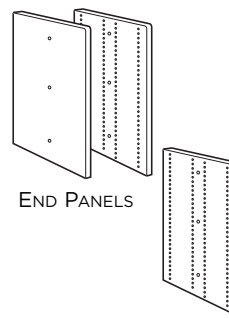
HOW TO ORDER **LAMINATE** UPRIGHT PANELS:

Example: 72"H, 15"D Single-Faced Laminate End Panels; Folkstone Grey Laminate; Anthracite Trim

LAMSE7215 8Q A

Model Number Laminate Trim

DOUBLE-FACED UPRIGHT PANELS

PRODUCT	WOOD END PANEL MODEL #	LAMINATE END PANEL MODEL #	DESCRIPTION	ACTUAL SHELF DEPTH
 <p>END PANELS</p> <p>MIDDLE PANEL</p>	LDE2908-__ LDM2908-__	LAMDE2908-__ LAMDM2908-__	19 ⁷ / ₈ "D x 29 ²⁹ / ₃₂ "H-2 End Panels 19 ⁷ / ₈ "D x 29 ²⁹ / ₃₂ "H-1 Middle Panel	8"D 8"D
	LDE2910-__ LDM2910-__	LAMDE2910-__ LAMDM2910-__	23 ³ / ₄ "D x 29 ²⁹ / ₃₂ "H-2 End Panels 23 ³ / ₄ "D x 29 ²⁹ / ₃₂ "H-1 Middle Panel	10"D 10"D
	LDE2912-__ LDM2912-__	LAMDE2912-__ LAMDM2912-__	27 ³ / ₄ "D x 29 ²⁹ / ₃₂ "H-2 End Panels 27 ³ / ₄ "D x 29 ²⁹ / ₃₂ "H-1 Middle Panel	12"D 12"D
	LDE2915-__ LDM2915-__	LAMDE2915-__ LAMDM2915-__	38 ¹ / ₂ "D x 29 ²⁹ / ₃₂ "H-2 End Panels 38 ¹ / ₂ "D x 29 ²⁹ / ₃₂ "H-1 Middle Panel	15"D 15"D
 <p>END PANELS</p> <p>MIDDLE PANEL</p>	LDE3608-__ LDM3608-__	LAMDE3608-__ LAMDM3608-__	19 ⁷ / ₈ "D x 36 ³ / ₁₆ "H-2 End Panels 19 ⁷ / ₈ "D x 36 ³ / ₁₆ "H-1 Middle Panel	8"D 8"D
	LDE3610-__ LDM3610-__	LAMDE3610-__ LAMDM3610-__	23 ³ / ₄ "D x 36 ³ / ₁₆ "H-2 End Panels 23 ³ / ₄ "D x 36 ³ / ₁₆ "H-1 Middle Panel	10"D 10"D
	LDE3612-__ LDM3612-__	LAMDE3612-__ LAMDM3612-__	27 ³ / ₄ "D x 36 ³ / ₁₆ "H-2 End Panels 27 ³ / ₄ "D x 36 ³ / ₁₆ "H-1 Middle Panel	12"D 12"D
	LDE3615-__ LDM3615-__	LAMDE3615-__ LAMDM3615-__	38 ¹ / ₂ "D x 36 ³ / ₁₆ "H-2 End Panels 38 ¹ / ₂ "D x 36 ³ / ₁₆ "H-1 Middle Panel	15"D 15"D
 <p>END PANELS</p> <p>MIDDLE PANEL</p>	LDE4208-__ LDM4208-__	LAMDE4208-__ LAMDM4208-__	19 ⁷ / ₈ "D x 42 ¹ / ₂ "H-2 End Panels 19 ⁷ / ₈ "D x 42 ¹ / ₂ "H-1 Middle Panel	8"D 8"D
	LDE4210-__ LDM4210-__	LAMDE4210-__ LAMDM4210-__	23 ³ / ₄ "D x 42 ¹ / ₂ "H-2 End Panels 23 ³ / ₄ "D x 42 ¹ / ₂ "H-1 Middle Panel	10"D 10"D
	LDE4212-__ LDM4212-__	LAMDE4212-__ LAMDM4212-__	27 ³ / ₄ "D x 42 ¹ / ₂ "H-2 End Panels 27 ³ / ₄ "D x 42 ¹ / ₂ "H-1 Middle Panel	12"D 12"D
	LDE4215-__ LDM4215-__	LAMDE4215-__ LAMDM4215-__	38 ¹ / ₂ "D x 42 ¹ / ₂ "H-2 End Panels 38 ¹ / ₂ "D x 42 ¹ / ₂ "H-1 Middle Panel	15"D 15"D
 <p>END PANELS</p> <p>MIDDLE PANEL</p>	LDE4808-__ LDM4808-__	Not Available Not Available	19 ⁷ / ₈ "D x 47 ¹⁷ / ₃₂ "H-2 End Panels 19 ⁷ / ₈ "D x 47 ¹⁷ / ₃₂ "H-1 Middle Panel	8"D 8"D
	LDE4810-__ LDM4810-__	Not Available Not Available	23 ³ / ₄ "D x 47 ¹⁷ / ₃₂ "H-2 End Panels 23 ³ / ₄ "D x 47 ¹⁷ / ₃₂ "H-1 Middle Panel	10"D 10"D
	LDSWW4810-__ LDEPW4810-__	LAMDSWW4810-__ Not Available	23 ³ / ₄ "D x 47 ¹⁷ / ₃₂ "H-Slat-Wall Single 23 ³ / ₄ "D x 47 ¹⁷ / ₃₂ "H-Plain-Wall Single	10"D 10"D
	LDSWWP4810-__	LAMDSWP4810-__	23 ³ / ₄ "D x 47 ¹⁷ / ₃₂ "H-Slat-Wall Panel Set	10"D
	LDE4812-__ LDM4812-__	Not Available Not Available	27 ³ / ₄ "D x 47 ¹⁷ / ₃₂ "H-2 End Panels 27 ³ / ₄ "D x 47 ¹⁷ / ₃₂ "H-1 Middle Panel	12"D 12"D
	LDSWW4812-__ LDEPW4812-__	LAMDSWW4812-__ Not Available	23 ³ / ₄ "D x 47 ¹⁷ / ₃₂ "H-Slat-Wall Single 23 ³ / ₄ "D x 47 ¹⁷ / ₃₂ "H-Plain-Wall Single	12"D 12"D
	LDSWWP4812-__	LAMDSWP4812-__	23 ³ / ₄ "D x 47 ¹⁷ / ₃₂ "H-Slat-Wall Panel Set	12"D
	LDE4815-__ LDM4815-__	Not Available Not Available	38 ¹ / ₂ "D x 47 ¹⁷ / ₃₂ "H-2 End Panels 38 ¹ / ₂ "D x 47 ¹⁷ / ₃₂ "H-1 Middle Panel	15"D 15"D
	LDSWW4815-__ LDEPW4815-__	LAMDSWW4815-__ Not Available	23 ³ / ₄ "D x 47 ¹⁷ / ₃₂ "H-Slat-Wall Single 23 ³ / ₄ "D x 47 ¹⁷ / ₃₂ "H-Plain-Wall Single	15"D 15"D
	LDSWWP4815-__	LAMDSWP4815-__	23 ³ / ₄ "D x 47 ¹⁷ / ₃₂ "H-Slat-Wall Panel Set	15"D

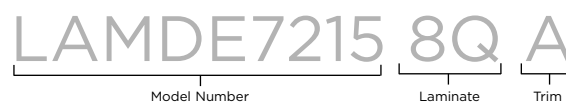
Bretford's Upright Panels can be ordered as laminate or veneer end or middle panels. Please note: Veneer panels have a hardwood edge while laminate panels have a 3mm T-mold edge.

Each panel has shelf adjustment holes drilled on 32mm centers. End panels have holes drilled on one side while middle panels have holes drilled on both sides.

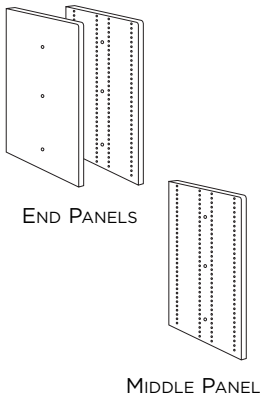
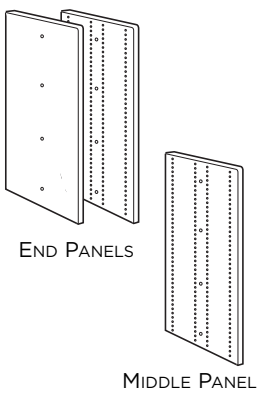
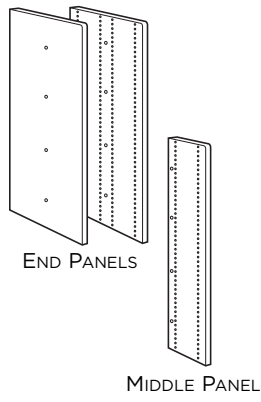
HOW TO ORDER **WOOD** UPRIGHT PANELS:
Example: 42"H, 8"D Double-Faced Wood End Panels; Medium Cherry Veneer



HOW TO ORDER **LAMINATE** UPRIGHT PANELS:
Example: 72"H, 15"D Double-Faced Laminate End Panels; Folkstone Grey Laminate; Anthracite Trim



DOUBLE-FACED UPRIGHT PANELS

PRODUCT	WOOD	LAMINATE	DESCRIPTION	ACTUAL SHELF DEPTH
	END PANEL MODEL #	END PANEL MODEL #		
 <p>60"H UNITS</p> <p>END PANELS</p> <p>MIDDLE PANEL</p>	LDE6008-__	LAMDE6008-__	19 ⁷ / ₈ "D x 58 ⁷ / ₈ "H-2 End Panels	8"D
	LDM6008-__	LAMDM6008-__	19 ⁷ / ₈ "D x 58 ⁷ / ₈ "H-1 Middle Panel	8"D
	LDE6010-__	LAMDE6010-__	23 ³ / ₄ "D x 58 ⁷ / ₈ "H-2 End Panels	10"D
	LDM6010-__	LAMDM6010-__	23 ³ / ₄ "D x 58 ⁷ / ₈ "H-1 Middle Panel	10"D
	LDSWW6010-__	LAMDSWW6010-__	23 ³ / ₄ "D x 58 ⁷ / ₈ "H-Slat-Wall Single	10"D
	LDEPW6010-__	Not Available	23 ³ / ₄ "D x 58 ⁷ / ₈ "H-Plain-Wall Single	10"D
	LDSWWP6010-__	LAMDSWP6010-__	23 ³ / ₄ "D x 58 ⁷ / ₈ "H-Slat-Wall Panel Set	10"D
	LDE6012-__	LAMDE6012-__	27 ³ / ₄ "D x 58 ⁷ / ₈ "H-2 End Panels	12"D
	LDM6012-__	LAMDM6012-__	27 ³ / ₄ "D x 58 ⁷ / ₈ "H-1 Middle Panel	12"D
	LDSWW6012-__	LAMDSWW6012-__	27 ³ / ₄ "D x 58 ⁷ / ₈ "H-Slat-Wall Single	12"D
	LDEPW6012-__	Not Available	27 ³ / ₄ "D x 58 ⁷ / ₈ "H-Plain-Wall Single	12"D
	LDSWWP6012-__	LAMDSWP6012-__	27 ³ / ₄ "D x 58 ⁷ / ₈ "H-Slat-Wall Panel Set	12"D
	LDE6015-__	LAMDE6015-__	38 ¹ / ₂ "D x 58 ⁷ / ₈ "H-2 End Panels	15"D
	LDM6015-__	LAMDM6015-__	38 ¹ / ₂ "D x 58 ⁷ / ₈ "H-1 Middle Panel	15"D
	LDSWW6015-__	LAMDSWW6015-__	38 ¹ / ₂ "D x 58 ⁷ / ₈ "H-Slat-wall Single	15"D
	LDEPW6015-__	Not Available	38 ¹ / ₂ "D x 58 ⁷ / ₈ "H-Plain-Wall Single	15"D
	LDSWWP6015-__	LAMDSWP6015-__	38 ¹ / ₂ "D x 58 ⁷ / ₈ "H-Slat-Wall Panel Set	15"D
	 <p>72"H UNITS</p> <p>END PANELS</p> <p>MIDDLE PANEL</p>	LDE7208-__	LAMDE7208-__	19 ⁷ / ₈ "D x 71 ⁵ / ₃₂ "H-2 End Panels
LDM7208-__		LAMDM7208-__	19 ⁷ / ₈ "D x 71 ⁵ / ₃₂ "H-1 Middle Panel	8"D
LDE7210-__		LAMDE7210-__	23 ³ / ₄ "D x 71 ⁵ / ₃₂ "H-2 End Panels	10"D
LDM7210-__		LAMDM7210-__	23 ³ / ₄ "D x 71 ⁵ / ₃₂ "H-1 Middle Panel	10"D
LDSWW7210-__		LAMDSWW7210-__	23 ³ / ₄ "D x 71 ⁵ / ₃₂ "H-Slat-Wall Single	10"D
LDEPW7210-__		Not Available	23 ³ / ₄ "D x 71 ⁵ / ₃₂ "H-Plain-Wall Single	10"D
LDSWWP7210-__		LAMDSWP7210-__	23 ³ / ₄ "D x 71 ⁵ / ₃₂ "H-Slat-Wall Panel Set	10"D
LDE7212-__		LAMDE7212-__	27 ³ / ₄ "D x 71 ⁵ / ₃₂ "H-2 End Panels	12"D
LDM7212-__		LAMDM7212-__	27 ³ / ₄ "D x 71 ⁵ / ₃₂ "H-1 Middle Panel	12"D
LDSWW7212-__		LAMDSWW7212-__	27 ³ / ₄ "D x 71 ⁵ / ₃₂ "H-Slat-Wall Single	12"D
LDEPW7212-__		Not Available	27 ³ / ₄ "D x 71 ⁵ / ₃₂ "H-Plain-Wall Single	12"D
LDSWWP7212-__		LAMDSWP7212-__	27 ³ / ₄ "D x 71 ⁵ / ₃₂ "H-Slat-Wall Panel Set	12"D
LDE7215-__		LAMDE7215-__	38 ¹ / ₂ "D x 71 ⁵ / ₃₂ "H-2 End Panels	15"D
LDM7215-__		LAMDM7215-__	38 ¹ / ₂ "D x 71 ⁵ / ₃₂ "H-1 Middle Panel	15"D
LDSWW7215-__		LAMDSWW7215-__	38 ¹ / ₂ "D x 71 ⁵ / ₃₂ "H-Slat-Wall Single	15"D
LDEPW7215-__		Not Available	38 ¹ / ₂ "D x 71 ⁵ / ₃₂ "H-Plain-Wall Single	15"D
LDSWWP7215-__		LAMDSWP7215-__	38 ¹ / ₂ "D x 71 ⁵ / ₃₂ "H-Slat-Wall Panel Set	15"D
 <p>84"H UNITS</p> <p>END PANELS</p> <p>MIDDLE PANEL</p>		LDE8408-__	LAMDE8408-__	19 ⁷ / ₈ "D x 84 ¹ / ₁₆ "H-2 End Panels
	LDM8408-__	LAMDM8408-__	19 ⁷ / ₈ "D x 84 ¹ / ₁₆ "H-1 Middle Panel	8"D
	LDE8410-__	LAMDE8410-__	23 ³ / ₄ "D x 84 ¹ / ₁₆ "H-2 End Panels	10"D
	LDM8410-__	LAMDM8410-__	23 ³ / ₄ "D x 84 ¹ / ₁₆ "H-1 Middle Panel	10"D
	LDSWW8410-__	LAMDSWW8410-__	23 ³ / ₄ "D x 84 ¹ / ₁₆ "H-Slat-Wall Single	10"D
	LDEPW8410-__	Not Available	23 ³ / ₄ "D x 84 ¹ / ₁₆ "H-Plain Wall Single	10"D
	LDSWWP8410-__	LAMDSWP8410-__	23 ³ / ₄ "D x 84 ¹ / ₁₆ "H-Slat-Wall Panel Set	10"D
	LDE8412-__	LAMDE8412-__	27 ³ / ₄ "D x 84 ¹ / ₁₆ "H-2 End Panels	12"D
	LDM8412-__	LAMDM8412-__	27 ³ / ₄ "D x 84 ¹ / ₁₆ "H-1 Middle Panel	12"D
	LDSWW8412-__	LAMDSWW8412-__	27 ³ / ₄ "D x 84 ¹ / ₁₆ "H-Slat-Wall Single	12"D
	LDEPW8412-__	Not Available	27 ³ / ₄ "D x 84 ¹ / ₁₆ "H-Plain Wall Single	12"D
	LDSWWP8412-__	LAMDSWP8412-__	27 ³ / ₄ "D x 84 ¹ / ₁₆ "H-Slat-Wall Panel Set	12"D
	LDE8415-__	LAMDE8415-__	38 ¹ / ₂ "D x 84 ¹ / ₁₆ "H-2 End Panels	15"D
	LDM8415-__	LAMDM8415-__	38 ¹ / ₂ "D x 84 ¹ / ₁₆ "H-1 Middle Panel	15"D
	LDSWW8415-__	LAMDSWW8415-__	38 ¹ / ₂ "D x 84 ¹ / ₁₆ "H-Slat-Wall Single	15"D
	LDEPW8415-__	Not Available	38 ¹ / ₂ "D x 84 ¹ / ₁₆ "H-Plain Wall Single	15"D
	LDSWWP8415-__	LAMDSWP8415-__	38 ¹ / ₂ "D x 84 ¹ / ₁₆ "H-Slat-Wall Panel Set	15"D

Bretford's Upright Panels can be ordered as laminate or veneer end or middle panels. Please note: Veneer panels have a hardwood edge while laminate panels have a 3mm T-mold edge. However, laminate Slat-Wall Panels have a hardwood edge and veneer on the back side.

End Panels come in a set of two panels. The Slat Wall End Panels can be sold in a pair with one Slat Wall Panel and one Plain Veneer Panel or individually. Middle Panels come individually.

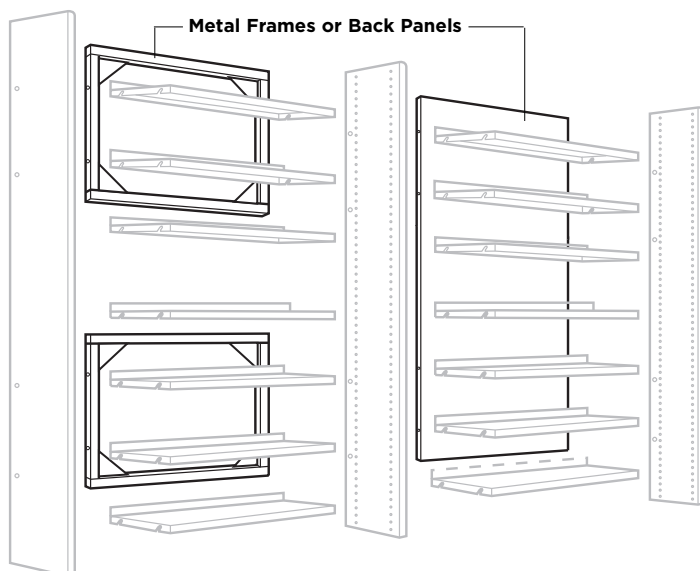
Each panel has shelf adjustment holes drilled on 32mm centers. End Panels and Slat-Wall Panels have holes drilled on one side while middle panels have holes drilled on both sides.

STEP TWO: FRAMES AND BACK PANELS



Choose the same type of back panel for all of your shelving or select different types to accommodate a particular area of your library. There are five back panels to choose from.

- The Steel Frame is the foundation of the Legacy line. It is a basic yet durable back panel suitable for any application.
- Single-Faced Wood or Laminate Back Panel gives a more classic look to your perimeter shelving.
- Double-Faced Wood or Laminate Back Panels are ideal for double-faced shelving.
- Slatwall Back Panel is another way to display material and create patron interest.



Actual Frame Width	Width with Frame and Wood End Panels	Width with Frame and One Wood Middle Panel
23"	25 ¹ / ₄ "	24 ¹ / ₁₆ "
29"	31 ¹ / ₄ "	30 ¹ / ₁₆ "
35"	37 ¹ / ₄ "	36 ¹ / ₁₆ "
Actual Frame Width	Width with Frame and Laminate End Panels	Width with Frame and One Laminate Middle Panel
23"	25 ⁵ / ₁₆ "	24 ³ / ₃₂ "
29"	31 ⁵ / ₁₆ "	30 ³ / ₃₂ "
35"	37 ⁵ / ₁₆ "	36 ³ / ₃₂ "

SPECIFICATION INFORMATION

FRAMES

Steel Frame:

Steel frames are available to create a 24, 30 or 36"W shelving unit. Actual frame widths are 23"W for 24"W units, 29"W for 30"W units and 35"W for 36"W units.

Each 29, 36, 42 or 48" high unit is assembled using a single 1" square, 18-gauge steel tube frame with four 2³/₄" x 2³/₄", 14-gauge steel gussets.

Each 60, 72 or 84" high unit is assembled using two 1" square, 18-gauge steel tube frame with four 2³/₄" x 2³/₄", 14-gauge steel gussets. Frames have a smooth powder paint finish.

Frame assembly is accomplished using metal-to-metal connection. End panels attach using 4 or 8 hex head, 1/4" - 20 steel male/female panel connectors, 40mm long. Middle panels attach using 4 or 8 hex head, 1/4" - 20 steel male/female panel connectors, 37mm long. No wood screws or lag bolts are used.

Seismic Steel Frame:

Seismic Steel Frames are designed to structurally hold a shelving unit meeting requirements defined in the 1997 Uniform Building Code for lateral analysis on the following criteria: Seismic Zone 4, Soil Type So, and Near Source Factor = 1.0. Each 60, 72 or 84" high unit is assembled using a single 1" x 1³/₄", 14-gauge steel tube. All joints are MIG welded and the corners reinforced with a 14-gauge gusset welded full length of the gusset. 60" and 72" high units have a frame that measures 57¹/₂" high x 35" wide while 84" high units have a frame that measures 73¹/₄" high x 35" wide. Frames have a smooth powder paint finish.

Frames assembly is accomplished using 1/4" x 20 x 60mm joint connector screw. No wood screws or lag bolts are used. The upright panels will be fastened to the floor with our current floor bracket with installer furnished 1/4" expansion anchors into the floor.

Frames come in single-faced and double-faced as starter and add-on models.

All steel components are painted using an environmentally safe powder coat process which will pass ASTM D968-81, 30 liter falling sand test.

BACK PANELS

Each panel allows 1" of space at the top of the unit to allow for the top shelf assembly and allows for 3/2" at the bottom of the unit for clearance.

Single-Faced Wood Back Panel:

Single-Faced Wood Back Panels are available to create a 24, 30 or 36"W shelving unit. Actual back panel widths are 23"W for 24"W units, 29"W for 30"W units and 35"W for 36"W units.

Each Single-Faced Wood Back Panel is available in 29, 36, 42, 48, 60, 72, or 84" heights. They are constructed of 1" thick, 45 lb. density industrial grade particle board finished on one side with .031" thick A-grade plain sliced wood veneer. The other side is finished in a lesser grade veneer. Each panel is finished with a durable wood stain finish.

Single-Faced Laminate Back Panel:

Each Single-Faced Laminate Back Panel is available in 29, 36, 42, 60, 72, or 84" heights. They are constructed of 1" thick, 45 lb. density industrial grade particle board finished on one side with high-pressure laminate finish. The other side is finished with .024" thick phenolic resin backer.

Double-Faced Wood Back Panel:

Double-Faced Wood Back Panels are available to create a 24, 30 or 36"W shelving unit. Actual back panel widths are 23"W for 24"W units, 29"W for 30"W units and 35"W for 36"W units.

Each Double-Faced Wood Back Panel is available for use with 29, 36, 42, 48, 60, 72, or 84" height units. They are constructed of 1" thick, 45 lb. density industrial grade particle board finished on both sides with .031" thick veneer. Each back panel is finished with a durable wood stain finish.

Double-Faced Laminate Back Panel:

Each Double-Faced Laminate Back Panel is available for use with 29, 36, 42, 60, 72, or 84" height units. They are constructed of 1" thick, 45 lb. density industrial grade particleboard finished on both sides with high-pressure laminate.

Slatwall/Wood Back Panel:

Each Slatwall Back Panel is available in 60" or 84" heights. They are constructed of 1" thick, 45 lb. density industrial grade medium density fiber board covered on one side with .031" thick veneer and on the other side, a laminate slatwall merchandising board with 2¹⁵/₁₆" slot spacing. They shall be finished with a durable wood stain finish.

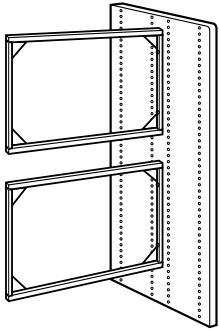
Slatwall/Laminate Back Panel:

Each Slatwall Back Panel is available in 60" or 84" heights. They are constructed of 1" thick, 45 lb. density industrial grade medium density fiber board covered on one side with high-pressure laminate finish and on the other side, a laminate slatwall merchandising board with 2¹⁵/₁₆" slot spacing.

FRAMES AND END PANELS

PRODUCT MODEL # DESCRIPTION

METAL FRAMES

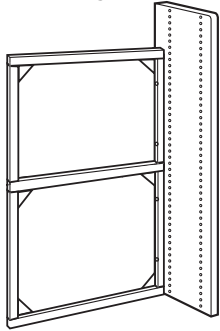


L24MTF1-__	1 - 24"W Metal Frame for 29", 36", 42" & 48"H Units
L24MTF2-__	2 - 24"W Metal Frames for 60", 72" & 84"H Units
L30MTF1-__	1 - 30"W Metal Frame for 29", 36", 42" & 48"H Units
L30MTF2-__	2 - 30"W Metal Frames for 60", 72" & 84"H Units
LMTF1-__	1 - 36"W Metal Frame for 29", 36", 42" & 48"H Units
LMTF2-__	2 - 36"W Metal Frames for 60", 72" & 84"H Units

Bretford's Metal Frames are the back bone of the Legacy Library System. These frames create the stability necessary to support end panels and shelves without requiring additional tops and bases for rigidity. With their open design, metal frames allow for increased air circulation throughout the library.

Bretford's Seismic Frames are designed specifically to meet OSHPD requirements. The frames are structurally durable and attach to the upright panels and include a bracket that attaches the panels to the floor.

SINGLE-FACED SEISMIC METAL FRAMES



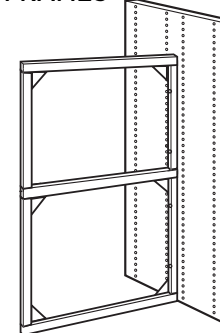
LSMTSF60S-__	Seismic Frame for 60" & 72"H Units - Starter*
LSMTSF60A-__	Seismic Frame for 60" & 72"H Units - Add-on*
LSMTSF84S-__	Seismic Frame for 84"H Units - Starter
LSMTSF84A-__	Seismic Frame for 84"H Units - Add-on



TIP: If additional structural integrity is required for your library, select Bretford's Seismic Metal Frames.

*When ordering 60"H Units with seismic frame and requiring a top shelf, use a middle shelf as the top shelf. (see pages)

DOUBLE-FACED SEISMIC METAL FRAMES



LDMTSF60S-__	Seismic Frame for 60" & 72"H Units - Starter*
LDMTSF60A-__	Seismic Frame for 60" & 72"H Units - Add-on*
LDMTSF84S-__	Seismic Frame for 84"H Units - Starter
LDMTSF84A-__	Seismic Frame for 84"H Units - Add-on



TIP: If additional structural integrity is required for your library, select Bretford's Seismic Metal Frames.

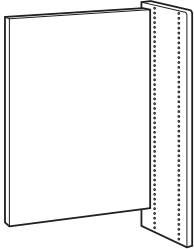
*When ordering 60"H Units with seismic frame and requiring a top shelf, use a middle shelf as the top shelf. (see pages)

HOW TO ORDER FRAMES:

Example: Single-Faced Seismic Frame for 84"H Units - Starter; Aluminum Paint



FRAMES AND BACK PANELS

PRODUCT	WOOD	LAMINATE	DESCRIPTION	
	BACK PANEL	BACK PANEL		
	MODEL #	MODEL #		
SINGLE-FACED BACK PANEL 	LWBPSS2429-__		24"W Single-Faced Back Panel for 29"H Units	
	LWBPSS2436-__		24"W Single-Faced Back Panel for 36"H Units	
	LWBPSS2442-__		24"W Single-Faced Back Panel for 42"H Units	
	LWBPSS2448-__	Not available	24"W Single-Faced Back Panel for 48"H Units	
	LWBPSS2460-__		24"W Single-Faced Back Panel for 60"H Units	
	LWBPSS2472-__		24"W Single-Faced Back Panel for 72"H Units	
	LWBPSS2484-__		24"W Single-Faced Back Panel for 84"H Units	
	LWBPSS3029-__		30"W Single-Faced Back Panel for 29"H Units	
	LWBPSS3036-__		30"W Single-Faced Back Panel for 36"H Units	
	LWBPSS3042-__		30"W Single-Faced Back Panel for 42"H Units	
	LWBPSS3048-__	Not available	30"W Single-Faced Back Panel for 48"H Units	
	LWBPSS3060-__		30"W Single-Faced Back Panel for 60"H Units	
	LWBPSS3072-__		30"W Single-Faced Back Panel for 72"H Units	
	LWBPSS3084-__		30"W Single-Faced Back Panel for 84"H Units	
	LWBPSS29-__	LAMWBPSS29-__		36"W Single-Faced Back Panel for 29"H Units
	LWBPSS36-__	LAMWBPSS36-__		36"W Single-Faced Back Panel for 36"H Units
	LWBPSS42-__	LAMWBPSS42-__		36"W Single-Faced Back Panel for 42"H Units
	LWBPSS48-__	Not available		36"W Single-Faced Back Panel for 48"H Units
	LWBPSS60-__	LAMWBPSS60-__		36"W Single-Faced Back Panel for 60"H Units
	LWBPSS72-__	LAMWBPSS72-__		36"W Single-Faced Back Panel for 72"H Units
	LWBPSS84-__	LAMWBPSS84-__		36"W Single-Faced Back Panel for 84"H Units

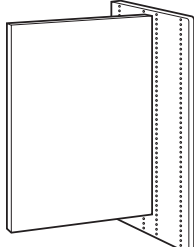
Bretford's Back Panels create a more classic look in a library. There are two styles to choose from, single-faced and double-faced. Single-faced are great when placing shelving units against a wall. Double-faced are perfect for double-faced shelving units and when placing a single-faced unit by itself where the back will be seen.

Keep in mind that back panels do not have finished edges. Therefore, you will want to order a top to finish your look.

Also, back panels do not extend all the way down to the floor. A 3/2" space is left at the bottom so that accessing outlets on walls is not prohibited.



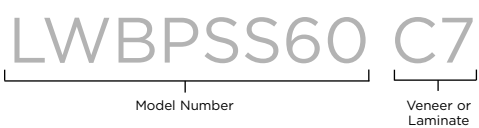
TIP: Back Panels do not extend to the top of End Panels. This is done to allow for the use of tops. Please remember to order tops for your units to complete your library.

DOUBLE-FACED BACK PANEL 	LWBP2429-__		24"W Double-Faced Back Panel for 29"H Units	
	LWBP2436-__		24"W Double-Faced Back Panel for 36"H Units	
	LWBP2442-__		24"W Double-Faced Back Panel for 42"H Units	
	LWBP2448-__	Not available	24"W Double-Faced Back Panel for 48"H Units	
	LWBP2460-__		24"W Double-Faced Back Panel for 60"H Units	
	LWBP2472-__		24"W Double-Faced Back Panel for 72"H Units	
	LWBP2484-__		24"W Double-Faced Back Panel for 84"H Units	
	LWBP3029-__		30"W Double-Faced Back Panel for 29"H Units	
	LWBP3036-__		30"W Double-Faced Back Panel for 36"H Units	
	LWBP3042-__		30"W Double-Faced Back Panel for 42"H Units	
	LWBP3048-__	Not available	30"W Double-Faced Back Panel for 48"H Units	
	LWBP3060-__		30"W Double-Faced Back Panel for 60"H Units	
	LWBP3072-__		30"W Double-Faced Back Panel for 72"H Units	
	LWBP3084-__		30"W Double-Faced Back Panel for 84"H Units	
	LWBP29-__	LAMWBP29-__		36"W Double-Faced Back Panel for 29"H Units
	LWBP36-__	LAMWBP36-__		36"W Double-Faced Back Panel for 36"H Units
	LWBP42-__	LAMWBP42-__		36"W Double-Faced Back Panel for 42"H Units
	LWBP48-__	Not available		36"W Double-Faced Back Panel for 48"H Units
	LWBP60-__	LAMWBP60-__		36"W Double-Faced Back Panel for 60"H Units
	LWBP72-__	LAMWBP72-__		36"W Double-Faced Back Panel for 72"H Units
	LWBP84-__	LAMWBP84-__		36"W Double-Faced Back Panel for 84"H Units



TIP: Back Panels do not extend to the top of End Panels. This is done to allow for the use of tops. Please remember to order tops for your units to complete your library.

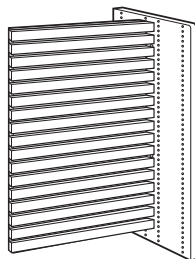
HOW TO ORDER BACK PANELS:
Example: Single-Faced Back Panel for 60"H Units; Medium Cherry Veneer



BACK PANELS

PRODUCT	WOOD	LAMINATE	DESCRIPTION
	BACK PANEL	BACK PANEL	
	MODEL #	MODEL #	

SLAT-WALL BACK PANEL



LSWP60-__ LAMSWP60-__ Slatwall Back Panel for 60"H Units



TIP: Back Panels do not extend to the top of End Panels. This is done to allow for the use of tops. Please remember to order tops for your units to complete your library.

Bretford's Slat-Wall Back Panels are great for creating a display in your library. The panels feature slat-wall on one side and your choice of either veneer or laminate on the back side.

Keep in mind that back panels do not have finished edges. Therefore, you will want to order a top to finish your look.

HOW TO ORDER BACK PANELS:

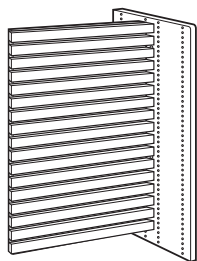
Example: Slat-Wall Back Panel for 60"H Units; Aluminum Paint; Medium Cherry Veneer



BACK PANELS

PRODUCT	WOOD BACK PANEL MODEL #	LAMINATE BACK PANEL MODEL #	DESCRIPTION
---------	-------------------------------	-----------------------------------	-------------

SLAT-WALL BACK PANEL



LSWP84-__ LAMSWP84-__ Slatwall Back Panel for 84"H Units



TIP: Back Panels do not extend to the top of End Panels. This is done to allow for the use of tops. Please remember to order tops for your units to complete your library.

Bretford's Slat-Wall Back Panels are great for creating a display in your library. The panels feature slat-wall on one side and your choice of either veneer or laminate on the back side.

Keep in mind that back panels do not have finished edges. Therefore, you will want to order a top to finish your look.

HOW TO ORDER BACK PANELS:

Example: Slat-Wall Back Panel for 84"H Units; Aluminum Paint; Medium Cherry Veneer

LSWP84 AL C7

Model Number Paint Laminate or Veneer

STEP THREE: SHELVES

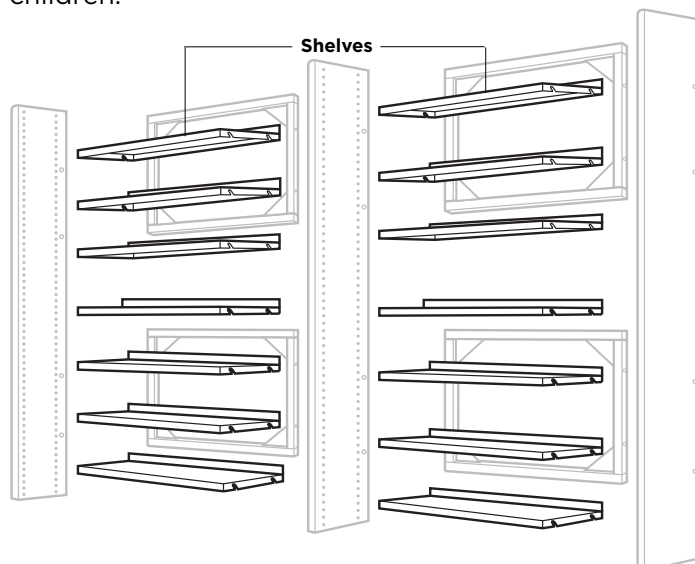


Select the Legacy shelving of your choice from the variety of shelving options Bretford offers.

- Shelving options may be changed, moved or added at any time since all feature the Legacy “tamper-proof pin system”.
- Steel Flat Shelves feature an integrated bookstop that also acts as a stiffener.
- Slotted Steel Shelves come complete with three dividers to better support materials.
- Wood Flat Shelves give a library a “traditional” look while not sacrificing the flexibility and durability Legacy is known for.
- Fixed Periodical Display Shelves are a perfect way to present current periodicals.
- Periodical Display and Storage Shelves allow you to feature current periodicals and store back issues all in one place.
- Two-Tier Display Shelves are an effective way to display anything from books-on-tape to DVD’s.
- Media Storage Glide Drawers provide high-density storage for large volumes of varying media.
- Angled Media Storage Shelves accommodate storage of video tapes, DVD’s or CD’s.
- Media Bag Poles allow for easy storage and accessibility of media and activity bags.
- Media Browser Bins convert standard shelving tops into media browsers for picture books, CD’s, DVD’s and video tapes. Perfect for small children.

NUMBER OF SHELVES BY UNIT HEIGHT (SINGLE-FACED)*							
Shelf Type	29"	36"	42"	48"	60"	72"	84"
Wood or Steel Flat Shelf	2	2	3	3	4	5	6
Slotted Steel Shelf	2	2	3	3	4	5	6
Fixed Periodical Display	2	2	2	2	3	4	4
Periodical Display and Storage	1	1	2	2	3	4	4
Two Tier Display	2	2	3	3	4	5	5
Angled Media Storage	1	2	2	2	3	4	5
Media Glide Drawer - w/Cassettes	4	5	7	7	10	13	15
Media Glide Drawer - w/CD's	3	4	5	5	8	10	11
Media Glide Drawer - w/VHS Tapes	3	3	4	4	6	7	9

*These are estimated numbers. Number of shelves can change depending on whether or not toe kicks or cabinet doors are added.



SPECIFICATION INFORMATION

SHELVES

All steel components come finished in powder paint. Wood finishes are UV cured. Laminate furniture comes finished in a variety of laminates.

Steel Flat Shelf:

All 8, 10, 12 or 15" deep flat shelves are constructed of 20-gauge steel and have a welded 18-gauge steel stiffener which also acts as a book support channel. Shelves are available for 24", 30" and 36"W shelving units. Each shelf is able to support 150 lbs. with zero deflection. Each shelf measures 1/4" high at the front and has a 1/4" high book stop at the back. Shelves attach using four solid steel pins with a Black finish. For safety purposes, shelf pins have a center collar thus making the pins impossible to pull out once the shelf is installed.

Dimensions: 22^{13/16"}, 28^{13/16"}, 34^{13/16"}W x 1/4"H x 7^{9/16"} (8"), 9^{1/2"} (10"), 11^{1/2"} (12") or 15^{3/8"} (15")D

Book Supports:

Book Supports are attached to the stiffener which is under the steel flat shelves. Book Supports are constructed of 7^{7/8"} high x 2^{1/4"} wide 5-gauge wire. Comes in set of two.

Dimensions: 7^{7/8"}H x 6"D

Slotted Steel Shelf:

All 8, 10, 12 or 15" deep slotted shelves are constructed of 18-gauge steel and have a welded 18-gauge steel stiffener which also acts as a book support channel. Each shelf measures 1/4" high at the front and has a 4" high book stop at the back. Each shelf is able to support 150 lbs. with zero deflection. Shelves are slotted every 1/4" on center and come complete with three dividers. Shelves attach using four solid steel pins with a Black finish. For safety purposes, shelf pins have a center collar thus making the pins impossible to pull out once the shelf is installed.

Dimensions: 34^{13/16"}W x 1/4"H x 7^{9/16"} (8"), 9^{1/2"} (10"), 11^{1/2"} (12") or 15^{3/8"} (15")D

Slotted Shelf Book Dividers:

Slotted Shelf Book Dividers are constructed from 18-gauge steel. Comes in set of three.

Dimensions: 6^{3/8"}H x 7^{9/16"}D or 11^{3/8"}D

Wood Flat Shelf:

The Legacy Wood Flat Shelf is constructed out of 1" thick, 45 lb. density industrial grade particle board covered on both sides with veneer. All shelves are edge banded with a 3/8" thick, solid hardwood, FAS select or better, that is kiln dried to a moisture content of less than 7%. Each shelf also comes standard with a 14-gauge steel "J" channel stiffener that also acts as a 1/4" high book stop. Each wood shelf will support 150 lbs. with zero deflection and utilizes the Legacy "tamper-proof pin system."

Dimensions: 34^{13/16"}W x 1/4"H x 7^{9/16"} (8"), 9^{1/2"} (10"), 11^{1/2"} (12") or 15^{3/8"} (15")D

Fixed Periodical Display Shelf:

The Fixed Periodical Display Shelf is constructed using 20-gauge steel and is able to fit inside of all 10 or 12" deep shelving units. Front retention lip is 3/4" deep. Shelves attach using four solid steel pins with a Black finish. For safety purposes, shelf pin has a center collar thus making the pins impossible to pull out once the shelf is installed.

Dimensions: 34^{13/16"}W x 14^{1/16"}H x 1^{1/2"}D

Compression Bar:

The optional Compression Bar can be used on the Fixed Periodical Display Shelves. Compression Bar is constructed of steel and finished in powder paint.

Periodical Display and Storage Shelf:

The Periodical Display and Storage Shelf Set consists of one flip-up Periodical Display Shelf which is constructed using 20-gauge steel. Front retention lip is 3/4" deep. Hinge brackets are made of 14-gauge steel. Also included is one 15" deep flat steel shelf (see steel flat shelf specs on this page). Only fits 15" deep units.

Dimensions: 34^{13/16"}W x 15^{3/8"}H x 15^{3/8"}D

Two-Tier Display Shelf:

The Two-Tier Display Shelf is constructed using 20-gauge steel and is able to fit inside all 10 or 12" deep shelving units. The bottom and middle retention lips are each 1^{5/16"} deep. The first tier is 6^{9/32"} high and the second tier is 7^{15/16"} high.

Dimensions: 34^{13/16"}W x 14^{7/32"}H x 2^{5/8"}D

Media Storage Glide Drawer:

The Media Glide Drawer is designed to fit 12" deep Legacy units. Uses Accuride® 100 lb. capacity full extension telescoping slides. Constructed using 18-gauge steel. Comes with seven media dividers.

Dimensions: 31^{7/8"}W x 2^{1/16"}H x 10^{3/8"}D

Angled Media Storage Shelf:

The Angled Media Storage Shelf is able to fit into any 10" or 12" deep shelving units. Constructed using 18-gauge steel and comes complete with seven media dividers.

Dimensions: 34^{13/16"}W x 5^{1/2"}H x 14^{3/4"}D

Media Bag Pole:

The Media Bag Pole is constructed using 14-gauge steel and is able to fit inside all 10" and 12" deep shelving units. The Media Bag Pole measures 34^{13/16"}W x 10"D. Supports 150 lbs. with zero degree deflection.

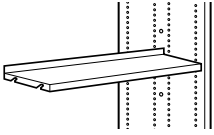

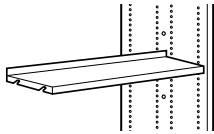
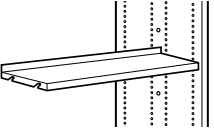

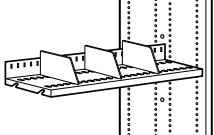

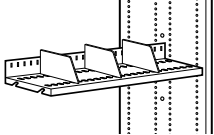
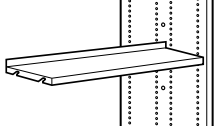
Media Browser Bin:

The Media Browser Bin replaces 12" deep shelving tops on 29, 36, 42 and 48" high units. Constructed from 18-gauge steel. Inside measures 34^{3/4"}W x 11^{1/2"}D x 3^{3/4"}H. Complete with dividers and 3/4" thick wood front available in veneer or laminate.

Dimensions: 34^{13/16"}W x 3^{5/8"}H x 12^{1/4"}D or 24^{1/2"}D

NUMBER OF FLAT SHELVES BY UNIT HEIGHT (SINGLE-FACED)			
Unit Height	Number of Shelves	Material type	Opening between shelves
84"H Unit	7	Videos & fiction books	10"
84"H Unit	6	Most non-fiction books	12 ^{1/2"}
72"H Unit	6	Videos & fiction books	10"
72"H Unit	6	Most non-fiction books	12 ^{1/2"}
60"H Unit	5	Videos & fiction books	10"
60"H Unit	4	Most non-fiction books	12 ^{1/2"}
48"H Unit	3	Reference materials & children's readers	13 ^{3/4"}
42"H Unit	3	Reference materials	10 ^{1/2"} & 12 ^{1/2"}
36"H Unit	2	Any contents	
29"H Unit	2	Any contents	

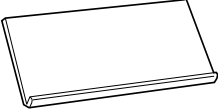

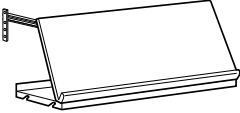
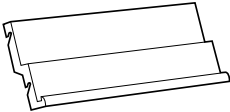
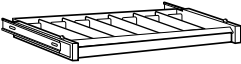
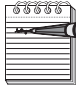
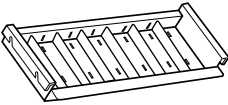

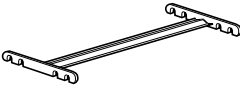

SHELVES

PRODUCT	MODEL #	DESCRIPTION
24"W STEEL FLAT SHELF 	L24FL08-__	24"W Steel Flat Shelf for 8"D Units
	L24FL10-__	24"W Steel Flat Shelf for 10"D Units
	L24FL12-__	24"W Steel Flat Shelf for 12"D Units
	L24FL15-__	24"W Steel Flat Shelf for 15"D Units
	 TIP: Each Steel Flat Shelf includes a built-in steel stiffener which doubles as a channel for using Book Supports. Book Supports are sold separately as shown below.	
30"W STEEL FLAT SHELF 	L30FL08-__	30"W Steel Flat Shelf for 8"D Units
	L30FL10-__	30"W Steel Flat Shelf for 10"D Units
	L30FL12-__	30"W Steel Flat Shelf for 12"D Units
	L30FL15-__	30"W Steel Flat Shelf for 15"D Units
36"W STEEL FLAT SHELF 	LFL08-__	36"W Steel Flat Shelf for 8"D Units
	LFL10-__	36"W Steel Flat Shelf for 10"D Units
	LFL12-__	36"W Steel Flat Shelf for 12"D Units
	LFL15-__	36"W Steel Flat Shelf for 15"D Units
BOOK SUPPORTS		
	LBSP-__	Book Supports (Set of 2)
SLOTTED STEEL SHELF		
	LST08-__	Slotted Steel Shelf for 8"D Units
	LST10-__	Slotted Steel Shelf for 10"D Units
	LST12-__	Slotted Steel Shelf for 12"D Units
	LST15-__	Slotted Steel Shelf for 15"D Units
	 TIP: The Slotted Steel Shelf comes with three (3) shelf dividers. More can be ordered separately as shown below.	
BOOK DIVIDERS		
	LBDV07-__	Slotted Shelf Book Dividers for 8" or 10"D Slotted Shelf (Set of 3)
	LBDV11-__	Slotted Shelf Book Dividers for 12" or 15"D Slotted Shelf (Set of 3)
WOOD FLAT SHELF		
	LFWS08-__	Wood Flat Shelf for 8"D Units
	LFWS10-__	Wood Flat Shelf for 10"D Units
	LFWS12-__	Wood Flat Shelf for 12"D Units
	LFWS15-__	Wood Flat Shelf for 15"D Units

Bretford offers a wide variety of shelving options. Each style is designed to hold different types of media. Some have adjustable dividers to hold a variety of media types. Shelves are interchangeable allowing reconfiguration to meet changing requirements. The design of Bretford's shelving provides the solution you need to house all different types of media.

8"D flat shelves are used for paperbacks and video collections. 12"D flat shelves are used for materials such as picture books, reference materials, bound periodicals, notebooks binders and letter sized file folders. 15"D flat shelves are used for atlases, hollinger boxes, legal files and children's toys, games and crafts.

SHELVES

PRODUCT	MODEL #	DESCRIPTION	
FIXED PERIODICAL DISPLAY SHELF			
	LFPD-__	Fixed Periodical Display Shelf for 10" or 12"D	
COMPRESSION BAR			
	LPDCB-__	Periodical Display Compression Bar for Fixed Periodical Display Shelf	
PERIODICAL DISPLAY & STORAGE SHELF			
	LPDSP-__	Periodical Display and Storage Shelf Set for 15"D Units	
TWO-TIER DISPLAY SHELF			
	L2TS-__	Two Tier Display Shelf for 10" or 12"D Units	
MEDIA STORAGE GLIDE DRAWER			
	LGDR12-__	Media Storage Glide Drawer for 12"D Units	
		TIP: The Media Storage Glide Drawer comes with seven dividers.	
ANGLED MEDIA STORAGE SHELF			
	LGFS-__	Angled Media Storage Shelf for 10" or 12"D Unit	
		TIP: The Angled Media Storage Shelf comes with seven dividers.	
MEDIA BAG POLE			
	LMBP-__	Media Bag Pole for 10" or 12"D Units	
MEDIA BROWSER BIN			
	LSMBB-__	LAMSMBB-__	Media Browser Bin for the top of 12"D Units - Single-Faced
	LDMBB-__	LAMDMBB-__	Media Browser Bin for the top of 12"D Units - Double-Faced

Bretford's line of shelves house anything from periodicals to DVD's. Each shelf type is designed to hold a variety of media types.

The Media Browser Bin is designed to be used on 29", 36", 42" and 48"H units. The Browser Bin replaces the top shelf to provide a storage place for displaying a variety of materials. **Please note:** The top of the Browser Bin will be even with the top of the end panel. Because of this, the amount of available space for placing other shelves will be reduced by approximately 4".

STEP FOUR: SHELVING ACCESSORIES



Select Legacy Shelving Accessories to complete your library.

- Top Shelves are a beautiful and practical addition that may be used as a worksurface with shorter shelving units.
- Steel Top Shelves are another way to give your shelving a finished look.
- Toe Kicks help prevent books from sliding under the shelving and gives a more conservative look.
- Pull-Out Reference Shelves makes browsing or taking notes convenient.
- Wood Doors lock valuables safely inside storage cabinets.
- Middle Wood Shelves are used in conjunction with wood doors to create a cabinet housing.
- Middle Wood/Laminate Shelves combine laminate with wood trim.
- Book Dividers come in four depths and are used with the Slotted Steel Shelf.
- Book Supports organize your volumes neatly and prevent books from sliding and curling.
- Wall-Floor Mounting Brackets allow shelving to be secured in place to either the floor or wall.

SHELVING ACCESSORIES

Wood/Laminate Top Shelf:

The Wood/Laminate Top Shelf has a .050" thick high-pressure laminate surface on the top and bottom panel. The front edge of the single-faced shelf and the front and back edge of the double-faced tops are solid hardwood, FAS select or better. The back edge of the single-faced shelf has 3mm edgebanding. Available for 24, 30 and 36"W shelving units.

Dimensions:

- **Single-faced:** 23", 29" or 35"W x 1"H x 10¹/₈", 12¹/₁₆", 14¹/₁₆" or 19¹/₂"D
- **Double-faced:** 23", 29" or 35"W x 1"H x 19¹/₈", 23", 27" or 37³/₄"D

Wall-Floor Mounting Bracket Kit:

Constructed out of 14-gauge steel, are able to bolt single-face and double-face units to the wall or floor. Use on all single-faced ranges to affix to the wall and use to floor mount where ever shelving will not have wall support. Due to many different mounting options, hardware is not included. The specific hardware will be determined by the installer. **Please note:** Wall Floor Mounting Brackets ship with all single-faced uprights.

Dimensions: 5"W x 2"H x 1¹/₄"D

Wood Top Shelf:

The Wood Top Shelf shall be constructed from 1" thick 45 lb. density industrial grade particleboard covered on both sides with .031" thick veneer. The front edge of the single-faced shelf shall be of solid hardwood, FAS select or better. The Back Edge Band is wood trim. The front and back edges of the double-faced shelves shall be of solid hardwood, FAS select or better. Wood trim and wood veneer shall be finished with a durable wood stain finish.

Dimensions:

- **Single-faced:** 35"W x 1"H x 10¹/₈", 12¹/₁₆", 14¹/₁₆" or 19¹/₂"D
- **Double-faced:** 35"W x 1"H x 19¹/₈", 23", 27" or 37³/₄"D

Laminate Top Shelf:

The Laminate Top Shelf has .050" thick high-pressure laminate surface on the top and bottom panel. The front lip of the single-faced shelf and the front and back lip of the double-faced tops are 3mm T-Mold.

Dimensions:

- **Single-faced:** 35"W x 1"H x 10¹/₈", 12¹/₁₆", 14¹/₁₆" or 19¹/₂"D
- **Double-faced:** 35"W x 1"H x 19¹/₈", 23", 27" or 37³/₄"D

Newspaper Rack Accessory:

The Newspaper Rack Accessory is designed to hold newspaper rods. The accessory consists of two brackets, one of each attaches to the upright panels with screws. Accessory has enough slots to accommodate up to 11 newspaper rods. Fits 10, 12 or 15" deep units and 48" high units and higher.

Dimensions: 3³/₄"W x 31⁷/₈"H x 2¹/₈"D

Newspaper Rods:

Newspaper Rods are designed to hold newspapers within the newspaper rack accessory. Available ONLY in Natural Maple, Medium Oak and Walnut.

Dimensions: 7⁷/₈"Diameter x 35"Long

Book Support Channel:

Book Support Channel is used with wood or laminate shelves and attach to the underside of the shelf to provide a holder for the Book Supports. Constructed from 18-gauge steel. Available for 24", 30" and 36"W wood/laminate top shelves.

Dimensions: 22⁹/₁₆", 28⁹/₁₆", 34⁹/₁₆"W x 38"H x 4⁷/₈"D

Book Supports:

Book Supports clip into the book support channel/stiffener which is on the underside of the steel flat shelves. Book Supports are constructed of 7⁷/₈" high x 2¹/₄" wide 5-gauge wire. Comes in set of two.

Dimensions: 7⁷/₈"H x 6"D

Steel Top Shelf:

All 10" or 12" deep Steel Top Shelves are constructed of 20-gauge steel and have a welded, 18-gauge steel stiffener which also acts as a book support channel. Each top shelf is able to support 150 lbs. with zero deflection. Each shelf measures 1¹/₄" high at the front.

Dimensions: 34¹⁵/₁₆"W x 1"H x 11³/₈" or 13³/₈"D

Pull Out Reference Shelf:

The Pull Out Reference Shelf fits perfectly in either a 10" or 12" deep shelving unit. The shelf has a .050" thick high-pressure laminate surface on the top and bottom. The front and back edge of the shelf has 3mm edgebanding. Uses Accuride® 75 lb. capacity full extension telescoping slides.

Dimensions: 34"W x 1"H x 10" or 12"D

Wood/Laminate Middle Shelf:

The Wood/Laminate Middle Shelf has .050" thick high-pressure laminate surface on the top and bottom panel. The front lip of the shelf is solid hardwood, FAS select or better. For use with the Wood Doors.

Dimensions: 35"W x 1"H x 8⁷/₈", 10³/₄", 12³/₄" or 18¹/₈"D

SPECIFICATION INFORMATION

SHELVING ACCESSORIES

All steel components come finished in durable powder paint. All laminate components come finished in your choice of laminate.

Wood Middle Shelf:

The Wood Middle Shelf is constructed from 1" thick 45 lb. density industrial grade particleboard covered on both sides with .031" thick veneer. Wood veneer is finished with a durable wood stain finish. Edge treatments are constructed using solid hardwood, FAS select or better. For use with the Wood Doors.

Dimensions: 35"W x 1"H x 8⁷/₈", 10³/₄", 12³/₄" or 18¹/₈"D

Laminate Middle Shelf:

The Middle Laminate Shelf has .050" thick high-pressure, laminate surface on the top and bottom panel. Each shelf comes standard with a 14-gauge steel stiffener that acts as a 1/4" high book stop. The front lip of the shelf is 3mm T-Mold. For use with the Laminate Doors.

Dimensions: 35"W x 1"H x 8⁷/₈", 10³/₄", 12³/₄" or 18¹/₈"D

Wood Doors:

Wood Doors have wood finish on both sides and are applied to 3/4" thick, 45 lb. density industrial grade particle board. Edge treatments are constructed using solid hardwood, FAS select or better. Matching finish Wood Doors are available. Order 29" high model for 60" high unit; 36" high for 72" high unit; and 42" high for 84" high unit.

Dimensions: 35"W x 27³/₄", 34¹/₁₆" or 40³/₈"H x 3/4"D

NOTE: For installation of Doors on 60", 72" or 84"H units, a Middle Shelf is required to allow lock mechanism to engage.

Laminate Doors:

Laminate Doors are constructed from neutral, non-glare .050" thick high-pressure laminate and are applied to 3/4" thick, 45 lb. density, industrial grade particle board. Edge treatments are T-mold. Matching finish Laminate Doors are available. Order 29" high model for 60" high unit; 36" high for 72" high unit; and 42" high for 84" high unit.

Handles are finished in powder paint.

Dimensions: 35"W x 27³/₄", 34¹/₁₆" or 40³/₈"H x 3/4"D

NOTE: For installation of Doors on 60", 72" or 84"H units, a Middle Shelf is required to allow lock mechanism to engage.

Wood Toe Kick Plate:

The Wood Toe Kick Plate attaches using the existing 32mm holes at the bottom of the shelving unit. It is constructed of solid hardwood. Toe kicks available for 24", 30" and 36" wide shelving units.

Dimensions: 23", 29" or 35"W x 2¹/₂"H x 1"D

Laminate Toe Kick Plate:

The Toe Kick Plate attaches using the existing 32mm holes at the bottom of the shelving unit. It is constructed from .050" thick high-pressure laminate and applied to 3/4" thick, 45 lb. density, industrial grade particle board.

Dimensions: 35"W x 2¹/₂"H x 1"D

Wood/Laminate Corner & Peninsula Filler Top:

The Wood/Laminate Filler Top has a .050" thick high-pressure laminate surface on the top and bottom panel. There is no trim on this piece because it is meant to be cut to size by the customer

Dimensions:

- For 8", 10" and 12" Units: 14¹/₈"D x 27³/₈"W
- For 15" Units: 19⁹/₁₆"D x 38¹/₈"W

Wood Corner & Peninsula Filler Top:

The Wood Filler Top is constructed from 1" thick 45 lb. density industrial grade particleboard covered on both sides with .031" thick veneer. Wood veneer is finished with a durable, scratch resistant UV cured finish. There is no trim on this piece because it is to be cut to size by the customer

Dimensions:

- For 8", 10" and 12" Units: 14¹/₈"D x 27³/₈"W
- For 15" Units: 19⁹/₁₆"D x 38¹/₈"W

SHELVING ACCESSORIES

PRODUCT	MODEL #	DESCRIPTION
WOOD/LAMINATE TOP SHELVES		
	L24SWT08-__	24"W Single-Faced Top Shelf for 8"D Units
	L24SWT10-__	24"W Single-Faced Top Shelf for 10"D Units
	L24SWT12-__	24"W Single-Faced Top Shelf for 12"D Units
	L24SWT15-__	24"W Single-Faced Top Shelf for 15"D Units

Bretford's Wood/Laminate Top Shelves are laminate with hardwood trim. **Please note:** On single-faced units, the front trim is hardwood while the back is 3mm edgebanding; a trim color must be specified when ordering. On double-faced units, the front and back trim is hardwood.

WOOD/LAMINATE TOP SHELVES		
	L30SWT08-__	30"W Single-Faced Top Shelf for 8"D Units
	L30SWT10-__	30"W Single-Faced Top Shelf for 10"D Units
	L30SWT12-__	30"W Single-Faced Top Shelf for 12"D Units
	L30SWT15-__	30"W Single-Faced Top Shelf for 15"D Units

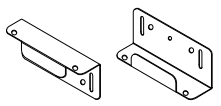
WOOD/LAMINATE TOP SHELVES		
	LSWT08-__	36"W Single-Faced Top Shelf for 8"D Units
	LSWT10-__	36"W Single-Faced Top Shelf for 10"D Units
	LSWT12-__	36"W Single-Faced Top Shelf for 12"D Units
	LSWT15-__	36"W Single-Faced Top Shelf for 15"D Units

WOOD/LAMINATE TOP SHELVES		
	L24DWT08-__	24"W Double-Faced Top Shelf for 8"D Units
	L24DWT10-__	24"W Double-Faced Top Shelf for 10"D Units
	L24DWT12-__	24"W Double-Faced Top Shelf for 12"D Units
	L24DWT15-__	24"W Double-Faced Top Shelf for 15"D Units

WOOD/LAMINATE TOP SHELVES		
	L30DWT08-__	30"W Double-Faced Top Shelf for 8"D Units
	L30DWT10-__	30"W Double-Faced Top Shelf for 10"D Units
	L30DWT12-__	30"W Double-Faced Top Shelf for 12"D Units
	L30DWT15-__	30"W Double-Faced Top Shelf for 15"D Units

WOOD/LAMINATE TOP SHELVES		
	LDWT08-__	36"W Double-Faced Top Shelf for 8"D Units
	LDWT10-__	36"W Double-Faced Top Shelf for 10"D Units
	LDWT12-__	36"W Double-Faced Top Shelf for 12"D Units
	LDWT15-__	36"W Double-Faced Top Shelf for 15"D Units



MOUNTING KIT		
LWFMK-__	Wall-Floor Mounting Kit (Set of 2)	



TIP: All single-faced panels come standard with one Wall-Floor Mounting Kit. Use additional brackets to secure any other shelving sections in place.

The Wall-Floor Mounting Kit consists of two (2) brackets which allow you to secure your shelving to the wall or the floor.

SHELVING ACCESSORIES

PRODUCT	WOOD MODEL #	LAMINATE MODEL #	DESCRIPTION
TOP SHELVES 	LSWWTP08-__	LAMSWT08-__	Single-Faced Top Shelf for 8"D Units
	LSWWTP10-__	LAMSWT10-__	Single-Faced Top Shelf for 10"D Units
	LSWWTP12-__	LAMSWT12-__	Single-Faced Top Shelf for 12"D Units
	LSWWTP15-__	LAMSWT15-__	Single-Faced Top Shelf for 15"D Units
TOP SHELVES 	LDWWTP08-__	LAMDWT08-__	Double-Faced Top Shelf for 8"D Units
	LDWWTP10-__	LAMDWT10-__	Double-Faced Top Shelf for 10"D Units
	LDWWTP12-__	LAMDWT12-__	Double-Faced Top Shelf for 12"D Units
	LDWWTP15-__	LAMDWT15-__	Double-Faced Top Shelf for 15"D Units

Bretford's Top Shelves are available in either wood veneer or laminate. Wood tops feature hardwood trim while laminate tops feature 3mm T-molding.
Please note: On single-faced wood shelves, the front trim is hardwood while the back is wood trim. On double-faced wood shelves, the front and back trim is hardwood. On laminate tops, trim is always 3mm T-mold.

PRODUCT	MODEL #	DESCRIPTION
---------	---------	-------------

NEWSPAPER RACK ACCESSORY

LNRK-__ Newspaper Rack Accessory for 10", 12" and 15"D Units

NEWSPAPER ROD

LROD-__ Newspaper Rod

BOOK SUPPORT CHANNEL

L24BSCH-__ 24"W Book Support Channel
 L30BSCH-__ 30"W Book Support Channel
 LBSCH-__ 36"W Book Support Channel

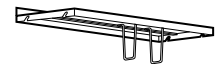


A Book Support Channel may be added to any of Bretford's Top Shelves or Wood Shelves. The purpose of the book channel is to hold Book Supports which help with organization of books. Book Supports come in a set of two. Both items are finished in powder paint.

Bretford's Steel Top Shelf comes with an integrated book support channel.

BOOK SUPPORTS

LBSP-__ Book Supports (Set of 2)



The Pull-Out Reference Shelf is only available in laminate which works perfectly with both wood and laminate shelving units.

STEEL TOP SHELF

LTS10-__ Steel Top Shelf for 10"D Units
 LTS12-__ Steel Top Shelf for 12"D Units



Bretford's Middle Shelves are used on taller shelving units when adding doors to the unit. The Middle Shelf features a lock latch for the doors.

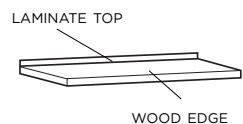
PULL-OUT REFERENCE SHELF

LRF10-__ Pull Out Reference Shelf for 10"D Units
 LRF12-__ Pull Out Reference Shelf for 12"D Units


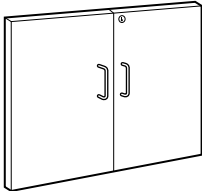
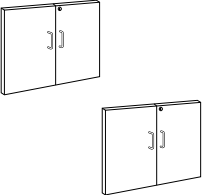




WOOD/LAMINATE MIDDLE SHELF

LMLS08-__ Wood/Laminate Middle Shelf for 8"D Units
 LMLS10-__ Wood/Laminate Middle Shelf for 10"D Units
 LMLS12-__ Wood/Laminate Middle Shelf for 12"D Units
 LMLS15-__ Wood/Laminate Middle Shelf for 15"D Units



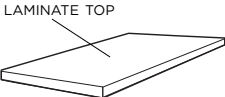
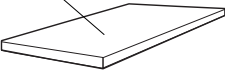
SHELVING ACCESSORIES

PRODUCT	WOOD MODEL #	LAMINATE MODEL #	DESCRIPTION
MIDDLE SHELF			
	LMLWWS08-__	LAMMLS08-__	Middle Shelf for 8"D Shelving Units
	LMLWWS10-__	LAMMLS10-__	Middle Shelf for 10"D Shelving Units
	LMLWWS12-__	LAMMLS12-__	Middle Shelf for 12"D Shelving Units
	LMLWWS15-__	LAMMLS15-__	Middle Shelf for 15"D Shelving Units
DOORS			
	L29DR-__	LAM29DR-__	Doors (1 set) for 29"H Units
	L36DR-__	LAM36DR-__	Doors (1 set) for 36"H Units
	L42DR-__	LAM42DR-__	Doors (1 set) for 42"H Units
	L48DR-__	LAM48DR-__	Doors (1 set) for 48"H Units
MATCHING DOORS			
	L29DRTP-__	LAM29DRTP-__	Matching Doors (2 sets) for 60"H Units
	L36DRTP-__	LAM36DRTP-__	Matching Doors (2 sets) for 72"H Units
	L42DRTP-__	LAM42DRTP-__	Matching Doors (2 sets) for 84"H Units
	TIP: When using the matching door set, it is important that you order a Middle Shelf. Middle Shelves can be ordered on the next page.		
TOE KICK PLATE			
	L24TKP-__	Not available	24"W Toe Kick Plate
	L30TKP-__	Not available	30"W Toe Kick Plate
	LTKP-__	LAMTKP-__	36"W Toe Kick Plate

Bretford's Middle Shelves are used on larger shelving units when adding doors to the unit. The Middle Shelf features a cut out so that the doors can lock.

Bretford's Doors are a perfect way to create private storage for any shelving unit. Order matching doors when you are using doors on both the top and bottom of the unit. This will ensure that the grain of the units match.

The Toe Kick Plate is designed to be used at the bottom of shelving units. Using a Toe Kick Plate prevents books or other items from being slid under the shelving unit.

PRODUCT	MODEL #	DESCRIPTION
WOOD/LAMINATE CORNER TOP		
	LFT081012-__	Laminate Corner & Peninsula Top for 8", 10" or 12" Units
	LFT15-__	Laminate Corner & Peninsula Top for 15" Units
WOOD CORNER TOP		
	LFTWW081012-__	Wood Corner & Peninsula Top for 8", 10" or 12"D Units
	LFTWW15-__	Wood Corner & Peninsula Top for 15"D Units

Bretford's Corner and Peninsula Filler Tops were developed so you can create unique rows of shelving. The Filler Top can be used to fill the space between shelving units if, for example, the units are placed at a 45 degree in relation to each other. See diagram below.

