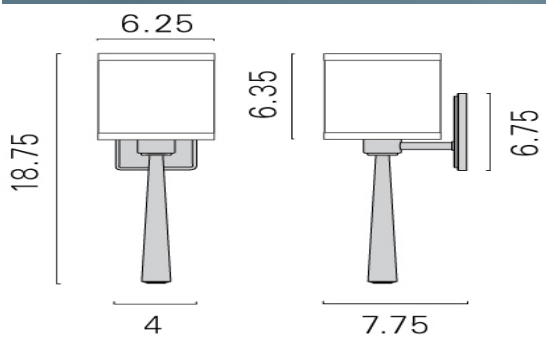


Apollo LED Sconce

Model: APO



Spec Sheets

[APO](#)

Dimensions

Mounting Options

Diffuser Options

Finish Options

Height 18.75   Width 6.25   Projection 7.75

Standard

WM

Standard

WS

Standard

BN,PN

Standard

IN

(1) 75W max medium base Edison

Optional

LED lamping 1 watt supplied