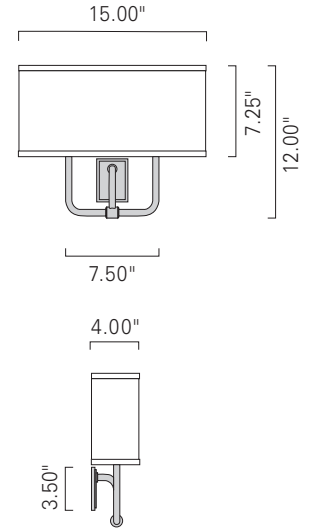


Product Name **Houston Double Sconce**

Model Number **HOU2**



Houston Double Sconce HOU2
Polished Nickel PN



| Product Name / Model / Dimensions | | | Mounting Options | Diffuser Options | Finish Options | Lamping Options |
|-----------------------------------|--------|------------|------------------------------------|--|---|--|
| Houston Double Sconce / HOU2 | | | Standard Wall Mount / WM | Standard Cream Linen Shade / CS Optional Custom Color Acrylic | Standard AB, PB, SB Premium BN, PN | Standard Incandescent / IN (2) 60w max candelabra Fluorescent / FL (2) CF26 or 32W GX24q-3 120v |
| Height | Width | Projection | | | | |
| 12.00" | 15.00" | 4.00" | | | | |
| Catalog Page 34 | | | | | | |

The City Series ADA products are available in a variety of styles and finishes. All have flame retardant shades.