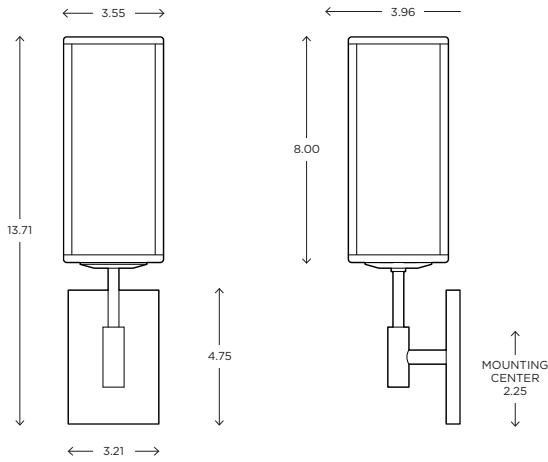


District 1

ADA | CUSTOM OPTIONS



Almost industrial in tone, District is forged of solid brass. Its mass is deftly balanced by a simple but tailored white shantung shade with defined edges. Available in LED, fluorescent, and incandescent lamping and numerous finishes.

DIMENSIONS

13.71"H x 3.55"W x 3.96"P

LAMPING / VOLTAGE

[1] 60w Max Incandescent T10 Medium Base

[1] 18w Max Fluorescent CFL GX24q-2 Base

[1] LED Unit 3000K

FINISH

Polished Nickel, Brushed Nickel,

Oil Rubbed Bronze

DIFFUSER

White Shantung

Acrylic Available

Customize this fixture to your specific needs



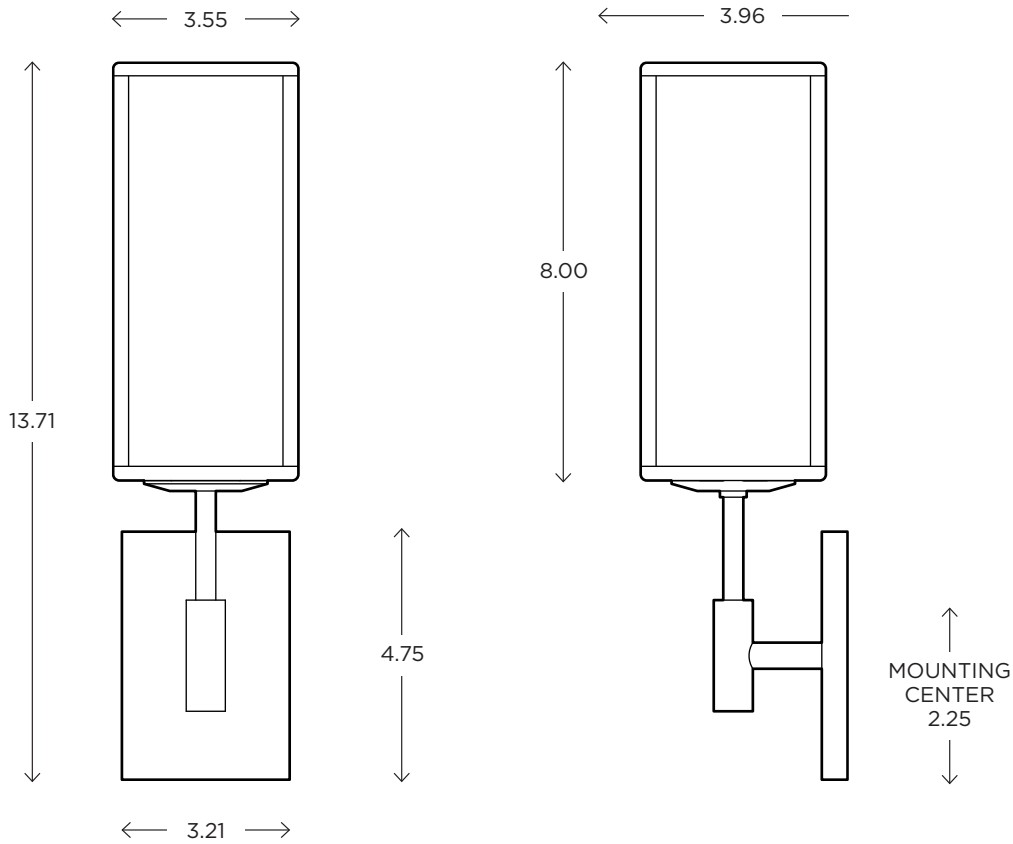
Ayre Architectural Lighting
14 Bristol Drive, Unit B
South Easton, MA 02375

Tel 508.205.0545
Toll Free 877.722.AYRE
Fax 508.205.0548

ayrelight.com

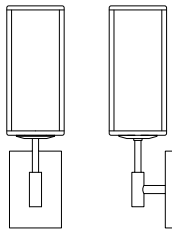
District 1

ADA | CUSTOM OPTIONS



MODEL

DISTRICT SCONCE // DIS1



DIMENSIONS

Height: 13.71
Width: 3.55
Projection: 3.96

FIXTURE TYPE

ADA Sconce / A

DIFFUSER

White Shantung / WS

FINISH

Oil Rubbed Bronze / OB
Polished Nickel / PN
Brushed Nickel / BN

LAMPING / VOLTAGE

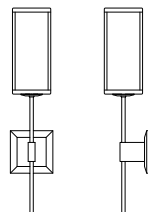
FLUORESCENT / FL
[1] CFL 18W GX24q-2 120V

INCANDESCENT / INC
[1] 60W T10 Medium Base 120V

LED / LED
[1] 3000K 120V

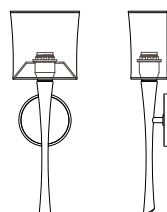
RELATED PRODUCTS

DISTRICT SCONCE // DIS2

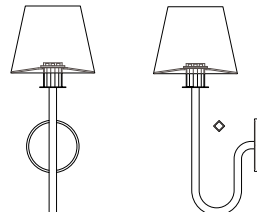


EURO SCONCE // EUR1

ADA

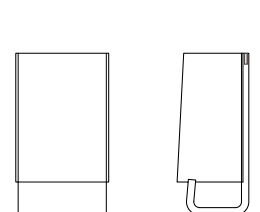


VERTEX SCONCE // VER1



KYOTO SCONCE // KYO1

ADA



Ayre Architectural Lighting
14 Bristol Drive, Unit B
South Easton, MA 02375

Tel 508.205.0545
Toll Free 877.722.AYRE
Fax 508.205.0548

ayrelight.com