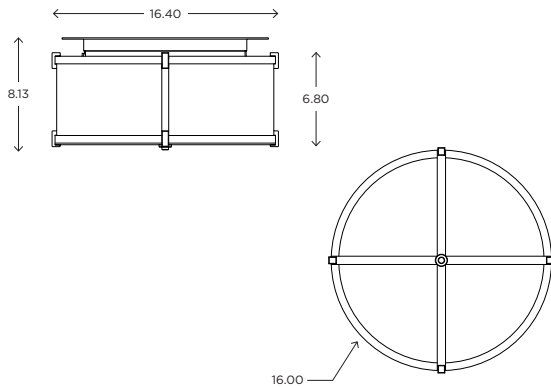


# Litebox 16" FLUSHMOUNT

## CUSTOM OPTIONS



The Litebox combines subtle elements of classical style with a respect for contemporary simplicity. The result is a fixture that complements almost any architectural space. It is available in custom sizes, levels of trim (with or without struts), as a flush mount or pendant, and with custom finishes, diffusers, and lamping.

### DIMENSIONS

8.13"H x 16.40"D

### LAMPING / VOLTAGE

[2] 100w Max Incandescent Medium Base

[2] 32w Max Fluorescent CFL GX24q-3 Base

### FINISH

Polished Nickel, Brushed Nickel,  
Architectural Bronze, Satin Brass

### DIFFUSER

Shiny Opal Acrylic, White Washable Linen

Customize this fixture to your specific needs



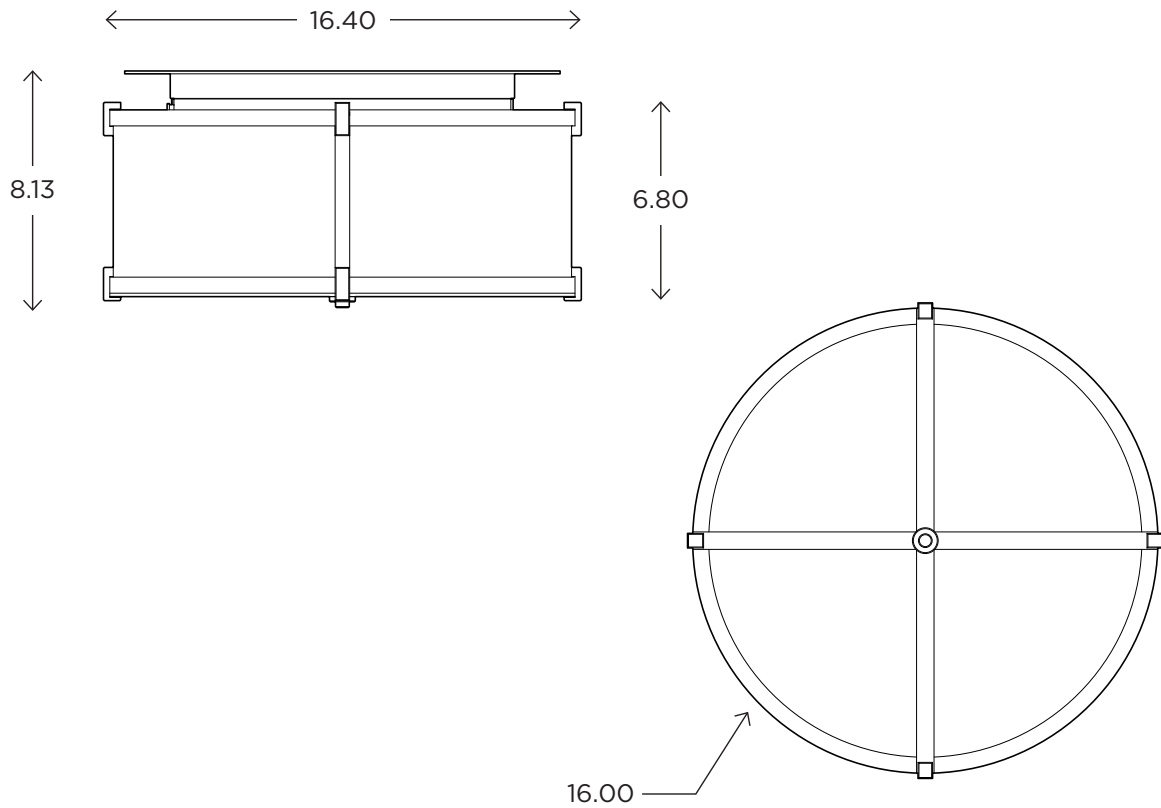
**Ayre Architectural Lighting**  
14 Bristol Drive, Unit B  
South Easton, MA 02375

**Tel 508.205.0545**  
Toll Free 877.722.AYRE  
Fax 508.205.0548

**ayrelight.com**

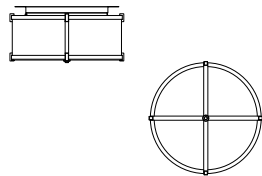
# Litebox 16" FLUSHMOUNT

## CUSTOM OPTIONS



### MODEL

LITEBOX FLUSHMOUNT // LBF16



### DIMENSIONS

Height: 8.13  
Diameter: 16.40

### FIXTURE TYPE

Flushmount / F

### DIFFUSER

Shiny Opal Acrylic / SA  
White Washable Linen / WL

### FINISH

Architectural Bronze / AB  
Polished Nickel / PN  
Brushed Nickel / BN  
Satin Brass / SB

### STRUTS

STRUTS / S  
NO STRUTS / N

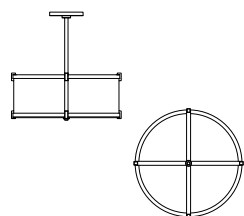
### LAMPING / VOLTAGE

FLUORESCENT / FL  
[2] CFL 26/32W GX24q-3  
120V

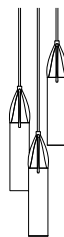
INCANDESCENT / INC  
[2] 100W Medium Base  
120V

### RELATED PRODUCTS

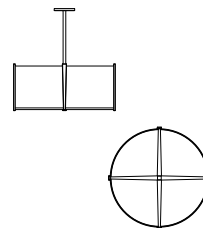
LITEBOX PENDANT // LBPI6



PETAL PENDANT // PETT

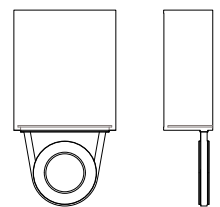


LYRIC PENDANT // LYR24



RIO SCNCE // RIO1

ADA



**Ayre Architectural Lighting**  
14 Bristol Drive, Unit B  
South Easton, MA 02375

**Tel 508.205.0545**  
Toll Free 877.722.AYRE  
Fax 508.205.0548

**ayrelight.com**