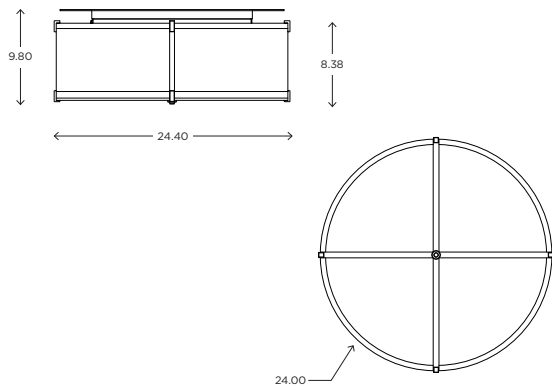


# Litebox 24" FLUSHMOUNT

## CUSTOM OPTIONS



The Litebox combines subtle elements of classical style with a respect for contemporary simplicity. The result is a fixture that complements almost any architectural space. It is available in custom sizes, levels of trim (with or without struts), as a flush mount or pendant, and with custom finishes, diffusers, and lamping.

### DIMENSIONS

9.80"H x 24.40"D

### LAMPING / VOLTAGE

[4] 100w Max Incandescent Medium Base

[4] 32w Max Fluorescent CFL GX24q-3 Base

### FINISH

Polished Nickel, Brushed Nickel,  
Architectural Bronze, Satin Brass

### DIFFUSER

Shiny Opal Acrylic, White Washable Linen

Customize this fixture to your specific needs



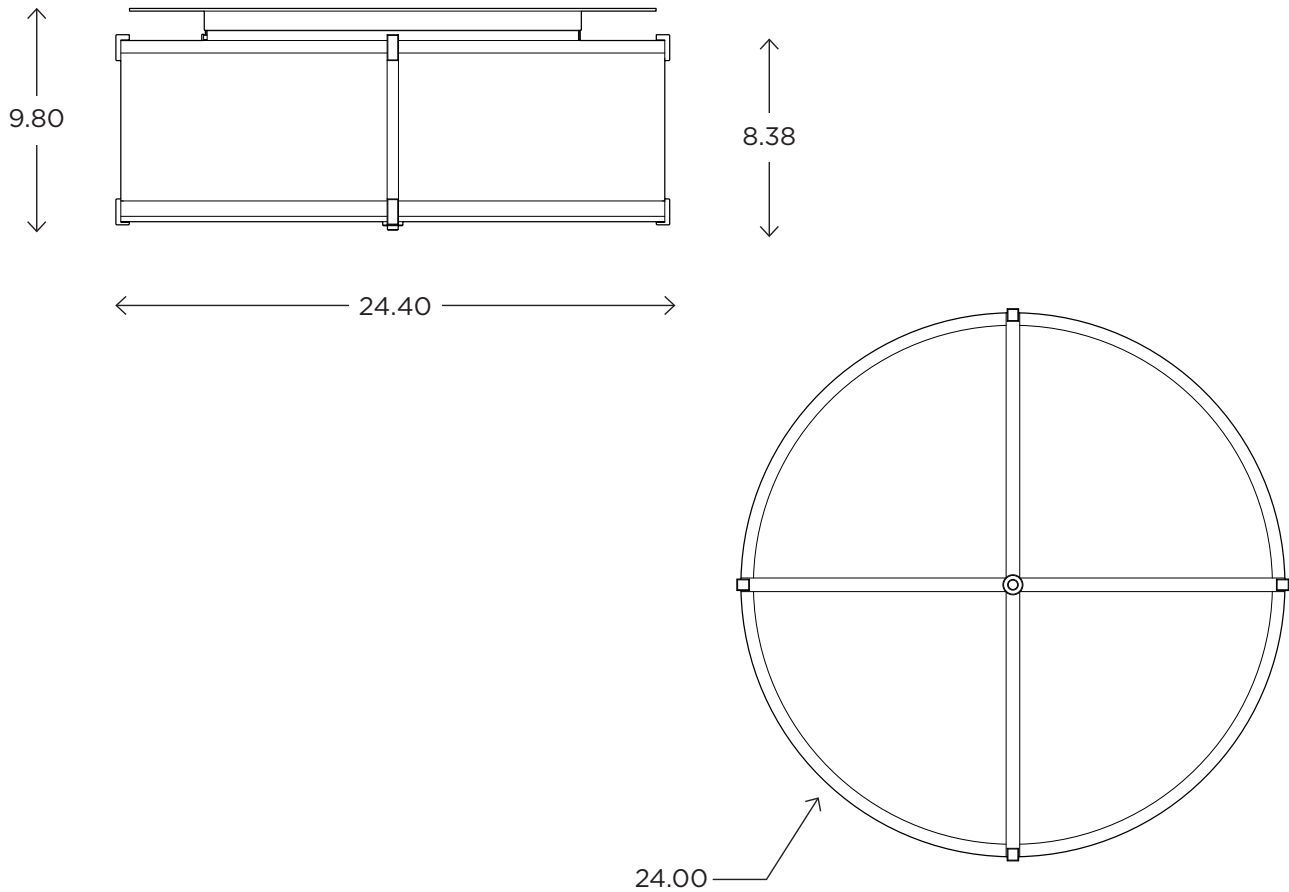
**Ayre Architectural Lighting**  
14 Bristol Drive, Unit B  
South Easton, MA 02375

**Tel 508.205.0545**  
Toll Free 877.722.AYRE  
Fax 508.205.0548

**ayrelight.com**

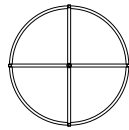
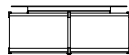
# Litebox 24" FLUSHMOUNT

## CUSTOM OPTIONS



**MODEL**

LITEBOX FLUSHMOUNT // LBF24



**DIMENSIONS**

Height: 9.80  
Diameter: 24.40

**FIXTURE TYPE**

Flushmount / F

**DIFFUSER**

Shiny Opal Acrylic / SA  
White Washable Linen / WL

**FINISH**

Architectural Bronze / AB  
Polished Nickel / PN  
Brushed Nickel / BN  
Satin Brass / SB

**STRUTS**

STRUTS / S  
NO STRUTS / N

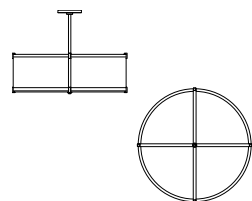
**LAMPING / VOLTAGE**

FLUORESCENT / FL  
[4] CFL 26/32W GX24q-3  
120V

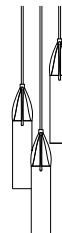
INCANDESCENT / INC  
[4] 100W Medium Base  
120V

**RELATED PRODUCTS**

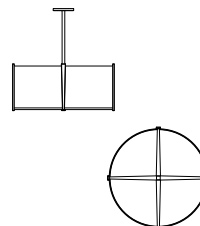
LITEBOX PENDANT // LBP24



PETAL PENDANT // PETT

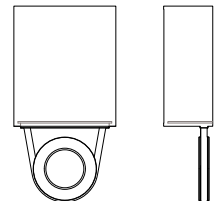


LYRIC PENDANT // LYR24



RIO SCNCE // RIO1

ADA



**Ayre Architectural Lighting**  
14 Bristol Drive, Unit B  
South Easton, MA 02375

**Tel 508.205.0545**  
Toll Free 877.722.AYRE  
Fax 508.205.0548

[ayrelight.com](http://ayrelight.com)