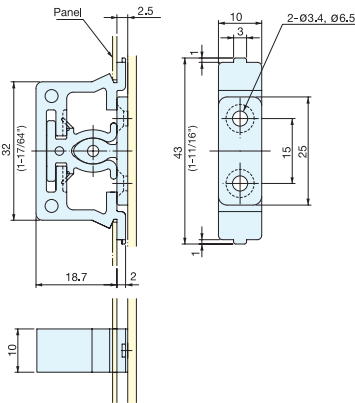


SNAP-IN KNUCKLE CATCH

TEST 10
P.589

JCU-F


PAT.P

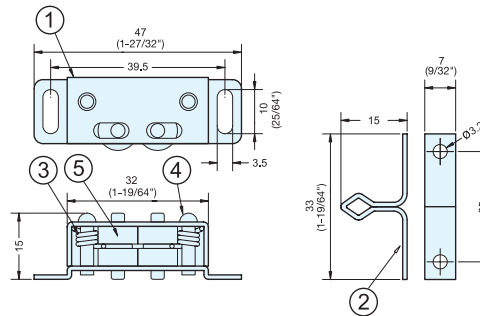


- Snap-in type body for easy installation.
- Designed for sheet metal or plastic panel application.
- Internal catch body slides 1.5mm for better alignment.

Part Name	Material	Color
Catch	Polyacetal	White
Strike	Polyamide	
Panel Thickness		Cut Out Dimensions
0.8mm		32.3×10.1
1.0mm		32.9×10.1
1.2mm		33.8×10.1

Item No.	Push in Force (kg)	Pulling Force (kg)	Weight (g)	Box (pcs)	Carton (pcs)
JCU-F	2 (4.4 lbs)	2 (4.4 lbs)	5.2	40	800

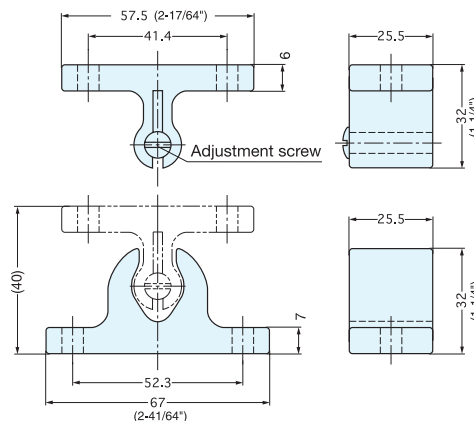
STAINLESS STEEL ROLLER CATCH


STAINLESS 304 STEEL
STBRC


No.	Part Name	Material	Finish
①	Body	304 Stainless Steel	Plain
②	Strike		
③	Spring	430 Stainless Steel	White
④	Rivet		
⑤	Roller	Polyethylene	

Item No.	Push in Force (kg)	Pulling Force (kg)	Weight (g)	Box (pcs)	Carton (pcs)
STBRC	1.0 (2.2 lbs)	2.7 (6.0 lbs)	18	60	1200

ADJUSTABLE KNUCKLE CATCH


1-555, 3-555


- Strong catch force.
- Catch force adjustable by turning adjustment screw.

Item No.	Push in Force (kg)	Pulling Force (kg)	Weight (g)	Box (pcs)	Carton (pcs)	Material	Color	
1-555-2/WHT	3-555-4/BLK	13~26 (29~57 lbs)	8~20 (18~44 lbs)	42	20	200	Polyamide	White (WHT), Black (BLK)