

# CABINET LOCK (W/INDICATOR)

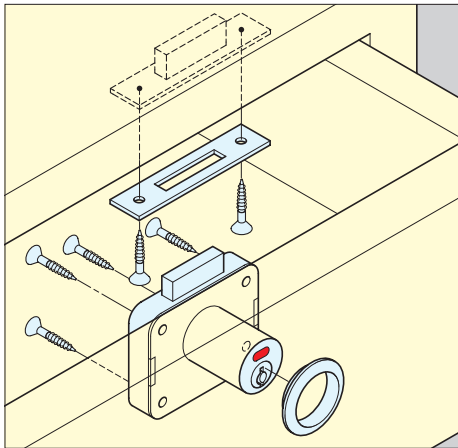
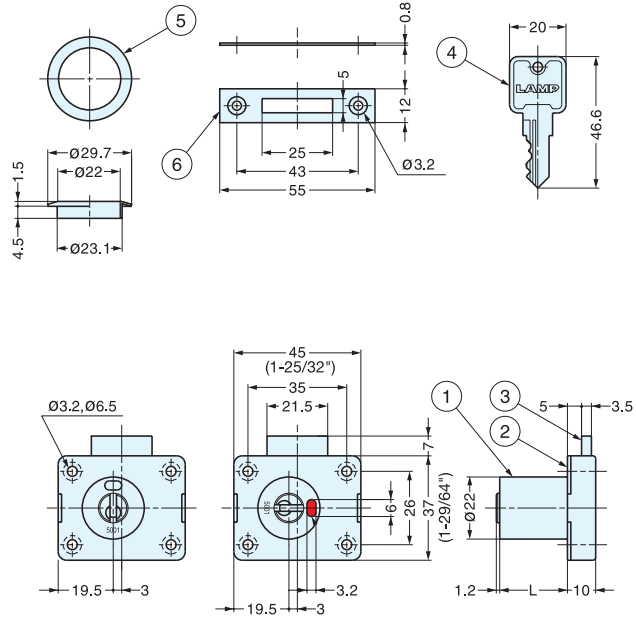


2200

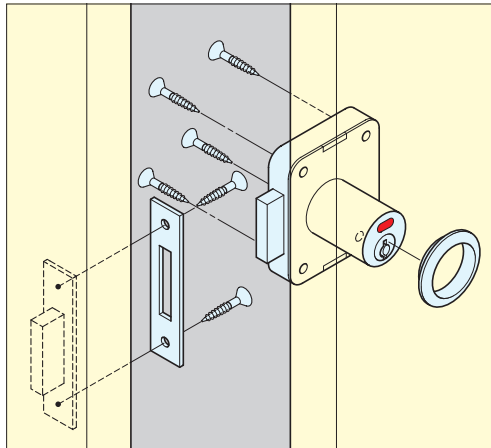
LOCKS

CABINET LOCKS

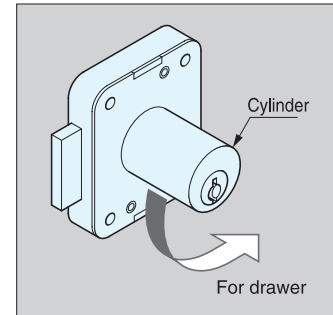
- Cylinder lock with locked/unlocked indicator.
  - Indicator: Unlocked - Blue, Locked - Red
- Cylinder rotates for either drawer or cabinet door application.
- Cylinder Diameter: 22mm (7/8")
- 170 key changes available.
- Keyed Alike (KA) or Keyed Different (KD) available. Please specify when ordering.
- Master key available at surcharge. (2200-24MK, 2200-30MK)
- Keys can be shared with other 2200 series locks.
- 4mm (5/32") plastic distance plate TSSP available for various door thickness.



Installation for drawer



Installation for right-hand door



To change lock for drawer application: turn lock cylinder 90° counterclockwise and install fixing screw.

No.	Part Name	Material	Finish
①	Cylinder	Zinc Alloy	Nickel
②	Body	Brass	
③	Dead Bolt		
④	Key		
⑤	Ring	304 Stainless Steel	Plain
⑥	Counterplate		

Item No.	L	Door Thickness	Weight (g)	Box (pcs)	Carton (pcs)
2200-24	24 ( 15/16" )	24 ( 15/16" )	115	12	120
2200-30	30 ( 1-3/16" )	30 ( 1-3/16" )	141		