



GLASS SHELF SUPPORT



2880

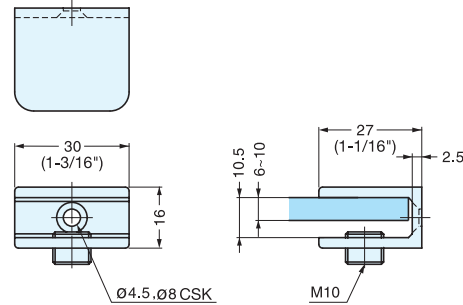
- Load capacity(center of glass) 5kg(11 lbs) / pair with shelf support distance max. 300mm, glass depth max. 300mm.



ZN5

ZN1

* Tempered Glass Recommended.



Item No.	Glass Thickness (mm)	Weight (g)	Box (pcs)	Carton (pcs)	Material	Finish
2880ZN1	6~10	34	20	200	Zinc Alloy	Matte Chrome (ZN1)
2880ZN5						Chrome (ZN5)
2880VA2					304 Stainless Steel	Satin (VA2)



GLASS SHELF SUPPORT



2885

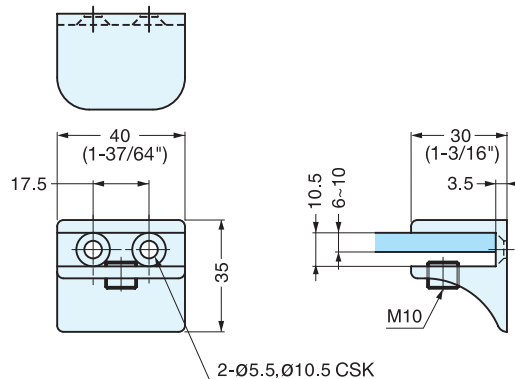
- Load capacity(center of glass) 25kg(55 lbs) / pair with shelf support distance max. 500mm, glass depth max. 300mm.



ZN5

ZN1

* Tempered Glass Recommended.



Item No.	Glass Thickness (mm)	Weight (g)	Box (pcs)	Carton (pcs)	Material	Finish
2885ZN1	6~10	83	20	200	Zinc Alloy	Matte Chrome (ZN1)
2885ZN5						Chrome (ZN5)
2885VA2					304 Stainless Steel	Satin (VA2)