

# CABINET LOCK



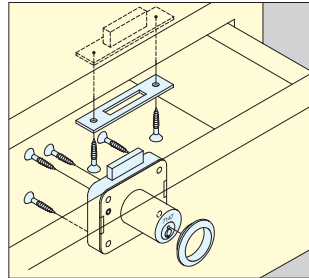
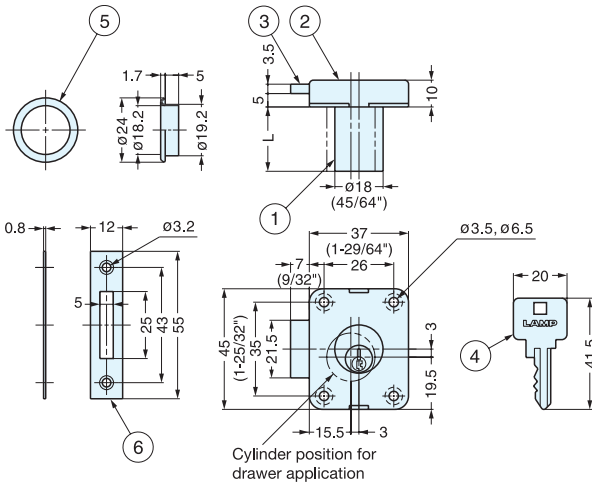
3320

LOCKS

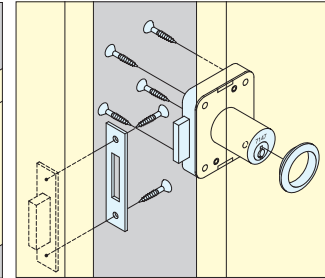
CABINET LOCKS



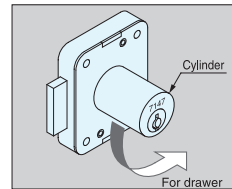
- Brass cylinder lock.
- Cylinder rotates for either drawer or cabinet door application.
- Cylinder Diameter: 18mm (45/64")
- 156 key changes available.
- Master key NOT available.
- Key is not removable in unlocked position, can be used as a knob.
- Keys can be shared with other 3300 series locks.
- 4mm (5/32") plastic distance plate TSSP available for various door thickness.



Installation for drawer



Installation for right-hand door



No.	Part Name	Material	Finish
①	Cylinder	Brass	Nickel
②	Body		
③	Dead Bolt		
④	Key		
⑤	Ring	304 Stainless Steel	-
⑥	Counterplate		

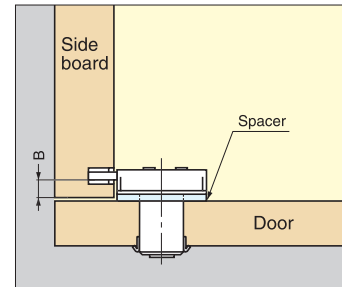
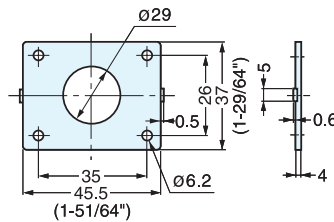
Item No.	L	Door Thickness	Weight (g)	Box (pcs)	Carton (pcs)
3320-24	24 ( 15/16" )	24 ( 15/16" )	123	12	120
3320-30	30 ( 1-3/16" )	30 ( 1-3/16" )	135		

# SPACER

# TSSP



- Spacer for 3310, 3320 and 2200 locks.
- Use when additional distance on dimension B required.
- Thickness: 4mm (5/32")
- Multiple spacers can be used if needed.



Item No.	Weight (g)	Box (pcs)	Carton (pcs)	Material	Color
TSSP-W	14	150	1500	ABS	White / Black
TSSP-B					