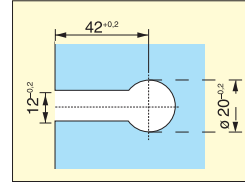
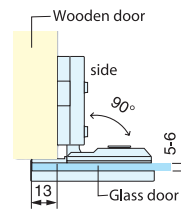
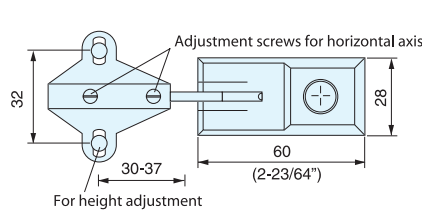


PS HALF OVERLAY GLASS DOOR HINGE (W/CATCH)



4013

- Opening Angle: 90°
- Max. Glass Width: 400mm (15-3/4")



Cut Out Dimension

# of Hinges / Door	2	3	4	5
Load Capacity (kg)	8 (17.6 lbs)	10 (22 lbs)	12 (26.4 lbs)	13 (28.6 lbs)

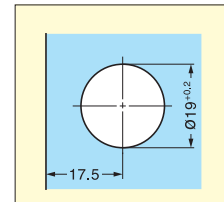
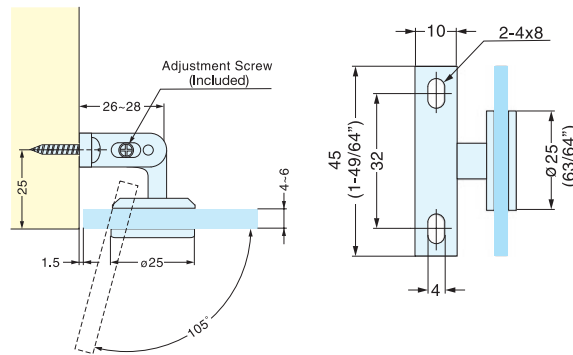
Item No.	Glass Thickness (mm)	Weight (g)	Box (pcs)	Carton (pcs)	Material	Finish
4013E1/EV1	5-6	130	20	200	Zinc Alloy / Aluminum	Silver / Anodized (EV1)
4013E1/EV3						Gold / Anodized (EV3)

PS INSET GLASS DOOR HINGE (W/CATCH)



4042

- Non-handed
- Opening Angle : 105°
- Max. Glass Width: 400mm (15-3/4")
- Special wrench Z063S required for installation.(Sold separately)



Cut Out Dimension

# of Hinges / Door	2	3	4	5
Load Capacity (kg)	8 (17.6 lbs)	10 (22 lbs)	12 (26.4 lbs)	13 (28.6 lbs)

Item No.	Glass Thickness (mm)	Weight (g)	Box (pcs)	Carton (pcs)	Material	Finish
4042MS4	4-6	59	50	200	Brass	Satin Brass (MS4)
4042MS5						Chrome (MS5)