



One Piece Barrier-Free Shower Module Cast Acrylic

FEATURES

- **A 3636.05F R/L**

The unit is molded with a soap shelf in the corner. Shower modules shall be pre-drilled for a valve and a handheld shower head when factory supplies components. All units have an anti-skid floor treatment.

The unit shall be installed in a pit, 1 3/4" deep so that the finished floor will be level with the top of the threshold.

Unit must be set in a mortar base leveled and any clearances between the pit opening and the unit be filled with mortar. Shimming is necessary. It is recommended that a floor drain at or near the entrance to the shower be included.

The factory supplied components are to include two stainless steel horizontal grab bars, a fold-up seat with white phenolic bench, and a stainless steel curtain rod.

The unit is thermoformed from continuous cast acrylic sheet into a one piece seamless unit. The unit is reinforced with a composite matrix. The unit has a backside fire rating of "B" and a flame spread of 75.

- **A 3636.05G**

Same as above less seat. Not ADA compliant without seat

- **A 3636.05D**

Same as above less seat and grab bars. Not ADA compliant without seat and bars.

NOTES

- Anti-skid floor treatment meets performance requirements of ASTM F-462-78.
- Units conform to ANSI A-117.1 and ANSI Z-124.2; the shower also complies with the guidelines issued by ADA, US. Architectural and Transportation Barriers Compliance Board (A & T.B.C.B.) and with most city, state, and national standards for barrier free, accessible shower facilities for the handicapped.
- This unit meets ADA when equipped with bars and seat.
- Nominal Dimensions:
 - Inside: 36" x 36"
 - Outside: 41 1/2" x 36 1/4"
 - Pit Roughing-In: 42" x 36 3/4"
- Factory installed components are provided with additional back reinforcements to provide code complying structural integrity. In addition, these components are sealed from the backside.

OPTIONS

- Pressure balanced, single lever mixing valve with stops. (180AA)
- Thermostatically controlled single lever mixing valve with stops. (T162AA)
- Hand held shower with swivel fitting, 69" flexible stainless steel hose, and an in-line vacuum breaker. (H11)
- 24" slide guide. (For hand held shower attachment.) (H12)
- Dome Light. (ATP1)
- 2" plastic drain with chrome plated strainer. (PD2)
- 2" cast brass drain with chrome plated strainer. (H30)
- White shower curtain with hooks. (C2)
- Lucite® acrylic sheet containing Microban® antimicrobial product protection. Available in white and bone only. (MBP)

Lucite is a registered trademark of INEOS Acrylics, Inc. Microban is a registered trademark of Microban Products Company, Huntersville, NC.

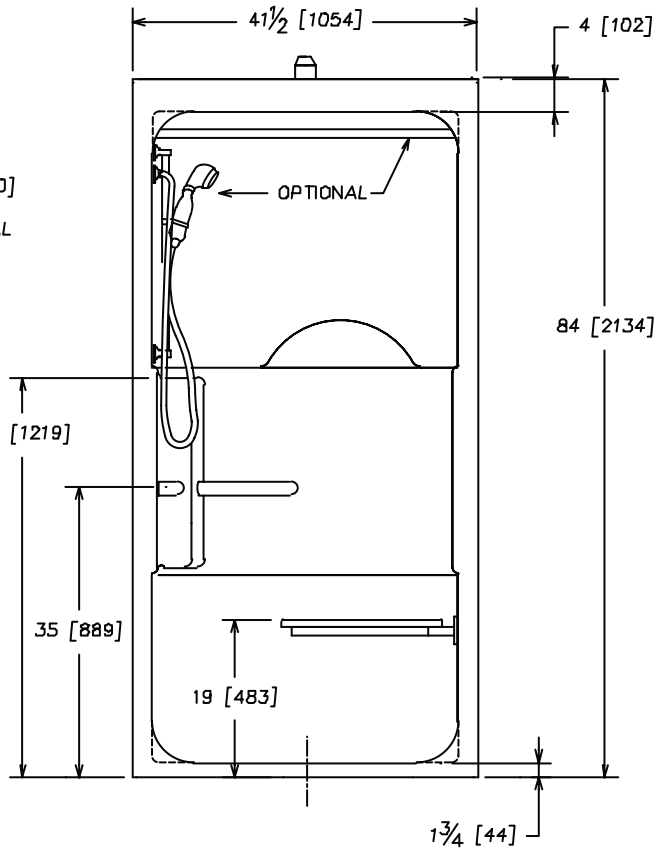
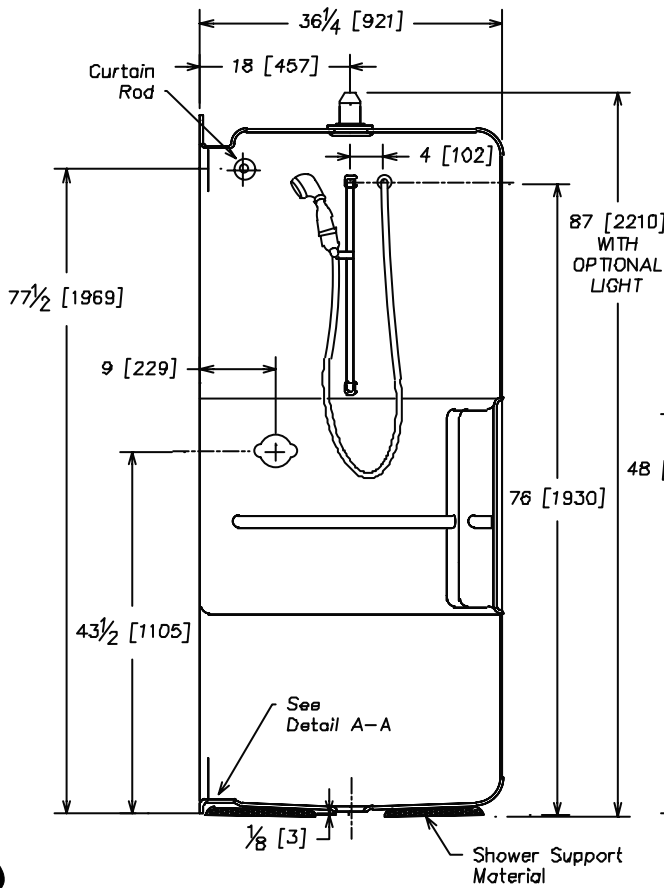
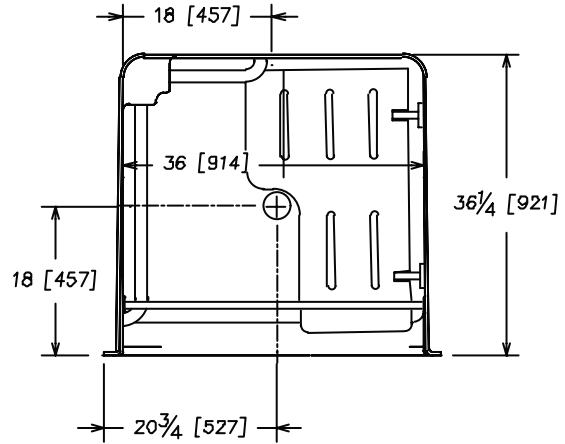
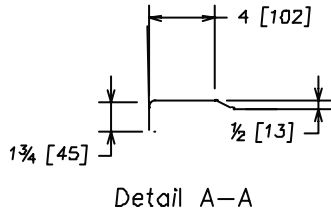


ADA SHOWER

One Piece Acrylic Barrier-Free Shower Modules

A 3636.05F

A3636.05FR Right Hand Seat
 A3636.05FL Left Hand Seat
 A3636.05GR Right Hand Bar
 A3636.05GL Left Hand Bar



IMPORTANT: Roughing-in dimensions may vary 1/2" and are subject to change or cancellation without prior notice.
 No responsibility is assumed for use of superseded or voided leaflets.