

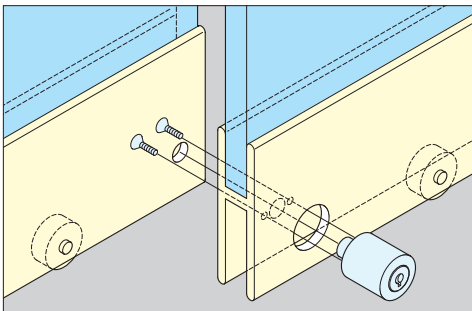
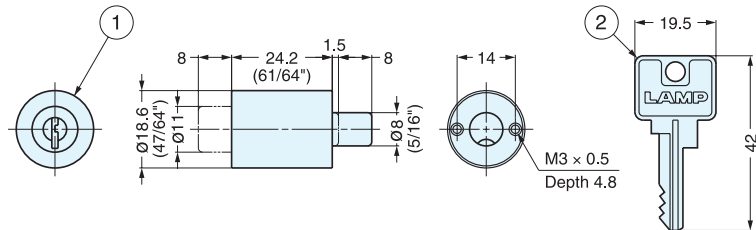
PUSH LOCK



2150B



- Zinc alloy cylinder push lock for metal-framed glass door or sheet metal double sliding doors.
- Push cylinder to lock.
- Cylinder Diameter: 18.6mm (47/64")
- 24 key changes.
- Master key NOT available.



Installation

Item No.	Metal Frame Thickness	Weight (g)	Box (pcs)	Carton (pcs)
2150B	24(15/16")	50	24	240

No.	Part Name	Material	Finish
①	Body	Zinc Alloy	Nickel
②	Key	Brass	

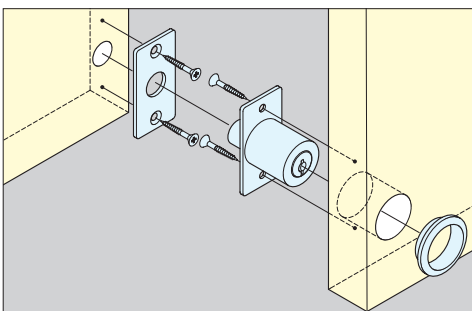
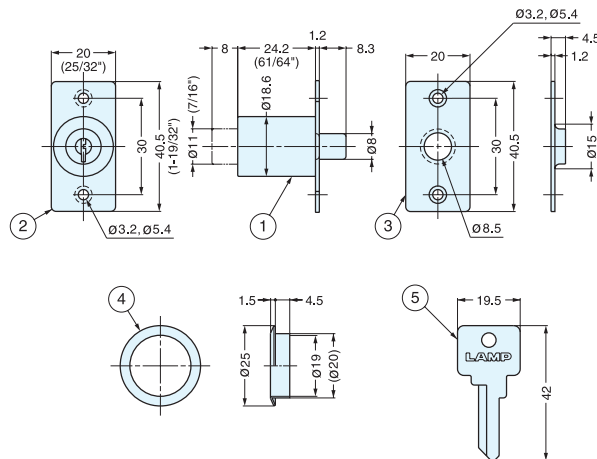
PUSH LOCK



2160M



- Zinc alloy cylinder push lock for wooden doors.
- Key is required to lock and to unlock.
- Cylinder Diameter: 18.6mm (47/64")
- 24 key changes.
- Master key NOT available.



Installation

Item No.	Door Thickness	Weight (g)	Box (pcs)	Carton (pcs)
2160M	24 (15/16")	50	24	240

No.	Part Name	Material	Finish
①	Cylinder	Zinc Alloy	Nickel
②	Plate	Brass	
③	Counterplate		
④	Ring		
⑤	Key		