

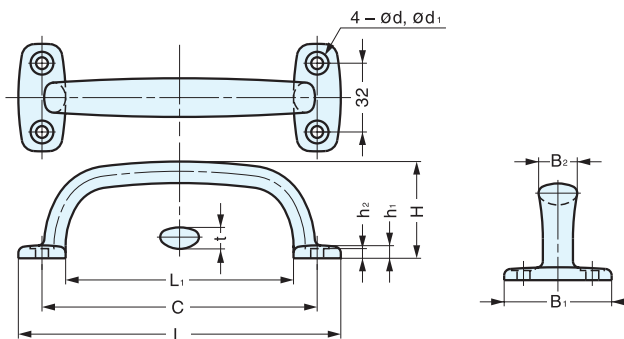
HANDLE



4LC



PAT.P



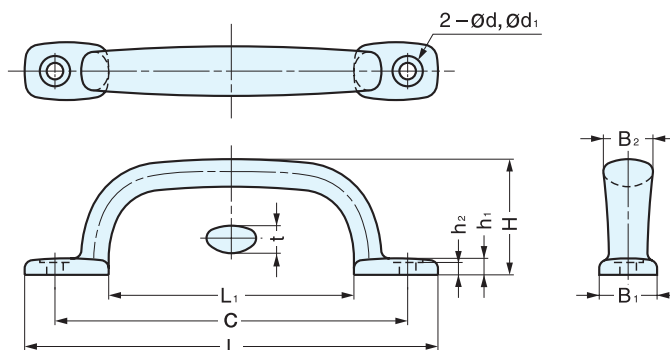
Material	Finish
316 Stainless Steel	Mirror

Item No.	L	L ₁	C	B ₁	B ₂	H	h ₁	h ₂	t	d	d ₁	Weight (g)	Box (pcs)	Carton (pcs)	Screw
4LC- 82	82	46	64 (2-33/64")	48	16	36.5 (1-7/16")	5.5	4	8	5	9.5	110	8	96	4x20
4LC-114	114	78	96 (3-25/32")			40 (1-37/64")						9	148	6	
4LC-150	150	106	128 (5-1/32")	50	18	45 (1-49/64")	6.5	5	10	6	11	210	3	36	5x32
4LC-180	180	140	160 (6-19/64")			48 (1-57/64")						5	270	2	

HANDLE (TITANIUM)



2LC-Ti



Material	Finish
Titanium	Shotblast

Item No.	L	L ₁	C	B ₁	B ₂	H	h ₁	h ₂	t	d	d ₁	Weight (g)	Box (pcs)	Carton (pcs)
2LC- 80 Ti	80	32	64 (2-33/64")	16	14	35 (1-3/8")	5.5	4	8	5	9.5	37	30	180
2LC-120 Ti	120	64	96 (3-25/32")	18	16	36 (1-27/64")						4.5	9	62
2LC-150 Ti	150	89	128 (5-1/32")	21	18	42 (1-42/64")	6	4.5	10	6	11	96	15	90