

ALUMINUM FRAME SWING DOOR (2 WAY ADJUSTABLE)

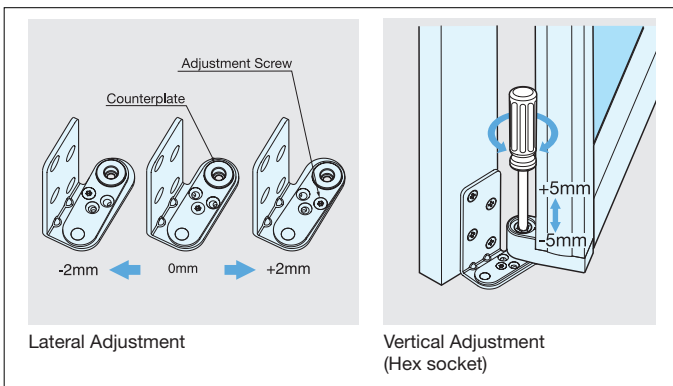
AF-25D

SLIDING & FOLDING DOOR HARDWARE

ALUMINUM FRAME SWING DOOR



Adjustable Hinge

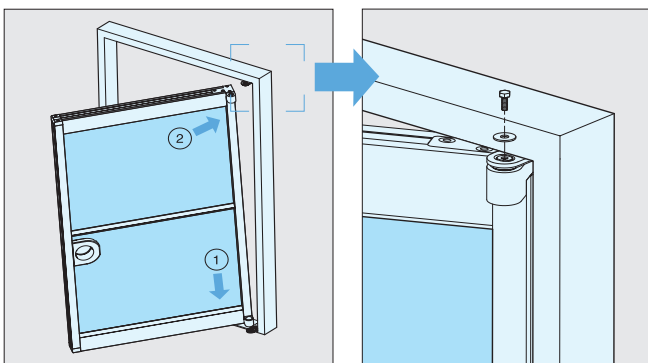


- Aluminum profile provides excellent rigidity preventing door flex.
- Intermediate support not needed when door size within H 2200mm x W 900mm (H 86-39/64" x W 35-7/16").
- Vertically and laterally adjustable after installed.
- Hinge is non-handed.
- Sliding door version available.
- Please see P.377~382 for details.

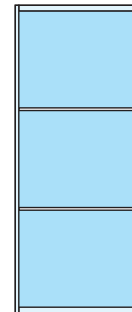
Door Height	Max. 2500mm (98-27/64")
Door Width	Max. 1000mm (39-3/8")
Door Weight	Max. 40kg (88lbs)
Glass Thickness	5 or 6mm
Standard Size	H 2200mm x W 900mm (H 86-39/64" x W 35-7/16")

* Intermediate support required when either door height or door width exceeds standard size.

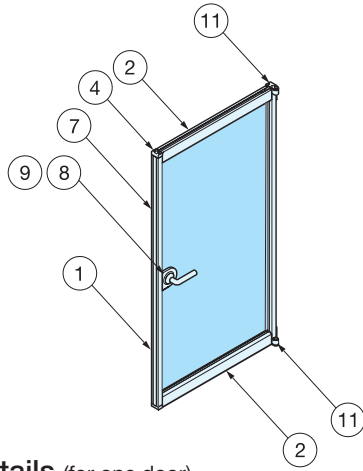
Easy Door Installation



Standard Size
(Smaller than H 2200 x W 900)



2 Supports
(Smaller than H 2500 x W 800)

**ORDERING INFO:**

Please order parts based on required door size and opening dimensions.

e.g.) Single Swing Door Application

Door Size: H 2200 x W 900 mm (H 86-5/8" x W 35-7/16")

Glass Thickness: 6mm

Qty	No.	Item No.
2	①	AF-25-W01
1	②	AF-25-W02
-	③	AF-25-W03
4	④	AF-25-P04
3	⑤	AF-25-P15 (For 6mm Glass)
-	⑥	AF-25-P16 (For 6mm Glass)
2	⑦	AF-25-P01-25
1	⑧	AF-25-P06
1	⑨⑩	HCSA138F11 (Passage Type)
1	⑪	AF-25-P10
1	⑫	AF-25-DS

Part Details (for one door)

No.	Item No.	Part Name	Dimensions	Quantity	Description
①	AF-25-W01	Vertical Frame		Necessary quantity	<ul style="list-style-type: none"> ● Material Aluminum ● Finish / Color Matte Silver ● Length 2500mm (98-27/64")
②	AF-25-W02	Horizontal Frame		Necessary quantity	<ul style="list-style-type: none"> ● Material Aluminum ● Finish / Color Matte Silver ● Length 2000mm (78-47/64")
③	AF-25-W03	Intermediate Support (Optional)		Necessary quantity	<ul style="list-style-type: none"> ● Material Aluminum ● Finish / Color Matte Silver ● Length 2000mm (78-47/64")
④	AF-25-P04	Connector		4 pcs	<ul style="list-style-type: none"> ● Material Zinc Alloy ● Finish / Color Matte Chrome
⑤	AF-25-P02 (For 5mm Glass) AF-25-P15 (For 6mm Glass)	Gasket		Necessary quantity	<ul style="list-style-type: none"> ● Material Elastomer ● Finish / Color Light Grey ● Length 2500mm (98-27/64") (AF-25-P02) 3000mm (118-7/64") (AF-25-P15)
⑥	AF-25-P03 (For 5mm Glass) AF-25-P16 (For 6mm Glass)	Gasket for Intermediate Support (Optional)		Necessary quantity	<ul style="list-style-type: none"> ● Material Elastomer ● Finish / Color Light Grey ● Length 2500mm (98-27/64") (AF-25-P03) 2500mm (98-27/64") (AF-25-P16)
⑦	AF-25-P01-25	Edge Cover		Necessary quantity	<ul style="list-style-type: none"> ● Material Synthetic Rubber ● Finish / Color Light Grey ● Length 2500mm (98-27/64")

No.	Item No.	Part Name	Dimensions	Quantity	Description
⑧	AF-25-P06	Handle Case A		1 set	<ul style="list-style-type: none"> ● Material Zinc Alloy ● Finish / Color Matte Silver (Cover)
		Handle Case B			
⑨	● HCSA138F11 (Passage)	Lever Handle		1 set	<ul style="list-style-type: none"> ● Material Aluminum ● Finish / Color Anodized, Satin *Passage: No Lock Privacy: Thumbturn and Slotted Lock Combination. Can be opened from outside with small coin or screwdriver.
	● HCSA138SF11G (Cylinder Lock & Thumbturn)				
	● HCSA138SF11H (Indicator & Thumbturn)				
	● HCSA138SF11M (Privacy & Thumbturn)				
		HCSA138F11 is shown.			
⑩	-	Strikeplate		Included in Lever Handle package	<ul style="list-style-type: none"> ● Material Steel, Polyamide ● Finish / Color Plain, Black ● Screw 4x30 Flat Head Screw x 2 included
⑪	AF-25-P10	Pivot Hinge for Aluminum Frame		1 pair	<ul style="list-style-type: none"> ● Material Zinc Alloy (Body) 304 Stainless Steel (Bracket) ● Finish / Color Matte Chrome (Body) Plain (Bracket)
⑫	AF-25-DS	Screw Set for AF-25D		1 set	<ul style="list-style-type: none"> ● Material 304 Stainless Steel ● Finish / Color Plain ● Screws Breakdown M6 x 30 Hex. Socket Cap x 8pcs M4 x 30 Hex. Socket Cap x 6pcs M4 x 25 Hex / Flat Head x 12pcs 5 x 30 Hex / Flat Head x 8pcs *Screws for 3 Intermediate Supports included.

* Glass not included.