



**Low Consumption, Wall Outlet
Water Closet Bowl
Vitreous China**

FEATURES

• **3486 Sanwalton™**

Bowl: 3486 Sanwalton™ (1.6 gpf) vitreous china, elongated rim, angle flange, 1½" top spud wall outlet bowl with bedpan lugs.

Valve: Flushvalve with vacuum breaker, 1" screwdriver angle stop and flush connection. Suggested (1.6 gpf) flushvalves are:*

- Sloan "Royal" #111
- Delany "Flushboy" #F402-1.6
- Zurn "Aquaflush" #Z-6000-WS-1

Supply:

Seat:

Color:

NOTES

- Fixture conforms to ANSI/ASME A112.19.2M standard.
- **For efficient operation of the bowl, a minimum flowing water pressure of 25 P. S. I. is required at the valve.
- Fully glazed trapway.

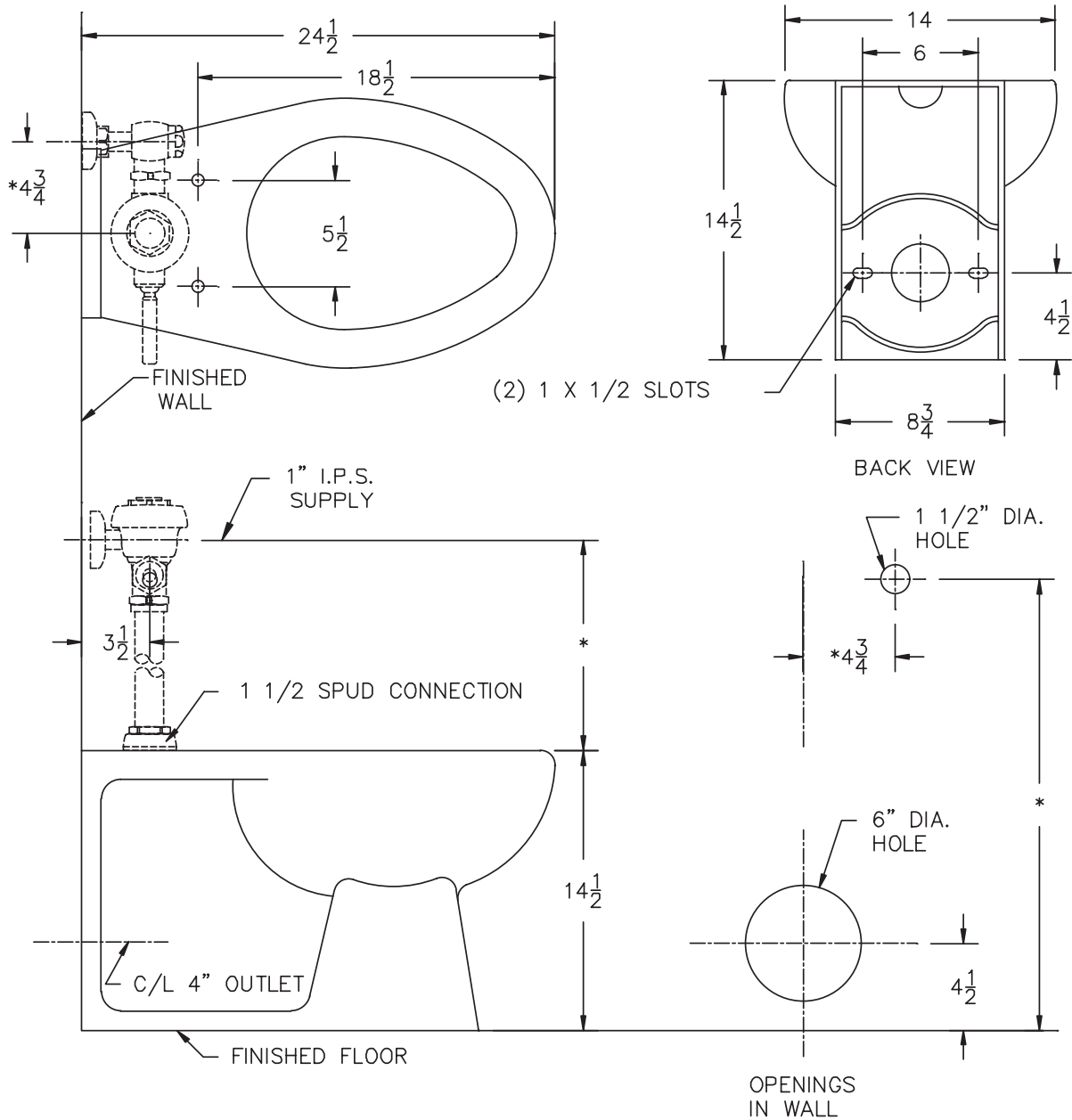
WATER ECONOMY FACTS

Average Gallons Per Flush	**25 PSI	50 PSI	80 PSI
3486 Elongated Rim (gpf)	1.54	1.56	1.55
TRAPWAY.....	2"		
WATER SURFACE.....	12" x 9 ¼"		
WATER SEAL.....	2 ¼"		



* Not furnished by CR/PL, L.L.C. Description for specification purposes only.

Low Consumption Wall Outlet Bowl with Bedpan Lugs



NOTE: * VARIABLE-CHECK WITH MANUFACTURER OF FLUSHVALVE FOR PROPER ROUGHING-IN DIMENSION.

IMPORTANT: Roughing-in dimensions may vary $\frac{1}{2}$ " and are subject to change or cancellation without prior notice. No responsibility is assumed for use of superseded or voided leaflets.